



US00D737334S

(12) **United States Design Patent**  
**Galloway et al.**

(10) **Patent No.:** **US D737,334 S**  
(45) **Date of Patent:** **\*\* Aug. 25, 2015**

(54) **PORTABLE COMPRESSED GAS POWER ASSEMBLY**

(71) Applicant: **D2BG LLC**, Fort Worth, TX (US)

(72) Inventors: **Daniel Galloway**, Keller, TX (US);  
**Darrell Bevelhymmer**, Arlington, TX (US)

(73) Assignee: **D2BG, LLC**, Fort Worth, TX (US)

(\*\*) Term: **14 Years**

(21) Appl. No.: **29/511,077**

(22) Filed: **Dec. 5, 2014**

**Related U.S. Application Data**

(62) Division of application No. 29/450,951, filed on Mar. 26, 2013, now Pat. No. Des. 723,066, which is a division of application No. 29/432,709, filed on Sep. 19, 2012, now Pat. No. Des. 683,368, which is a division of application No. 29/375,851, filed on Sep. 28, 2010, now Pat. No. Des. 670,314.

(51) **LOC (10) Cl.** ..... **15-02**

(52) **U.S. Cl.**

USPC ..... **D15/9**

(58) **Field of Classification Search**

USPC ..... D15/7-9; D23/231, 232, 225;  
417/410.1, 359, 415-416, 234, 321,  
417/265, 405; 60/645, 651

CPC ..... B67D 5/64; B67D 5/40

See application file for complete search history.

(56) **References Cited**

**U.S. PATENT DOCUMENTS**

D60,090 S 12/1921 Forrest  
D107,465 S 12/1937 Tucker  
2,384,174 A 9/1945 Jones  
D156,075 S 11/1949 Collier  
D185,000 S 4/1959 Hoover

D223,475 S 4/1972 Elson et al.  
D258,436 S 3/1981 McGilberry  
4,854,822 A 8/1989 Darroch  
D321,352 S 11/1991 Vann  
5,139,278 A 8/1992 Vlasticak  
D332,613 S 1/1993 Keller  
5,494,191 A \* 2/1996 Benson ..... 222/23  
5,667,113 A \* 9/1997 Clarke et al. .... 222/608  
D398,614 S 9/1998 Kartinen  
5,810,213 A \* 9/1998 Flores et al. .... 222/610  
D405,805 S 2/1999 Rock  
D423,518 S 4/2000 Milligan et al.

(Continued)

*Primary Examiner* — Ralf Seifert

(74) *Attorney, Agent, or Firm* — Norton Rose Fulbright US LLP

(57) **CLAIM**

The ornamental design for a portable compressed gas power assembly, as shown and described.

**DESCRIPTION**

FIG. 1 is an elevation view from the front showing the front side of our new design.

FIG. 2 is an elevation view from the back showing the back side of our design.

FIG. 3 is an elevation view from the left side showing the left side of our design.

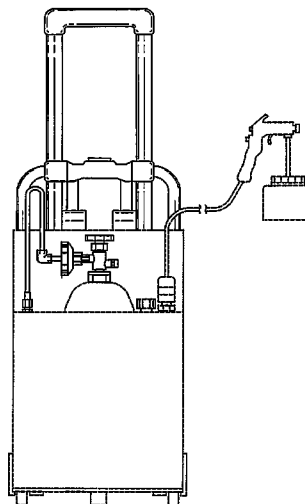
FIG. 4 is an elevation view from the right showing the right side of our design.

FIG. 5 is an elevation view from the top showing the top side of our design; and,

FIG. 6 is an elevation view from the bottom showing the bottom side of our design.

It should be understood that the labels used herein for describing orientation (e.g., front, back, top, bottom, right, and left) are merely for reference, and our design may be disposed in any manner and still be within the scope of the present invention. Elements shown in broken lines form no part of the claimed design.

**1 Claim, 5 Drawing Sheets**



(56)

**References Cited**

U.S. PATENT DOCUMENTS

D446,792 S 8/2001 Matthew et al.  
D447,151 S 8/2001 Matthew et al.  
D470,871 S \* 2/2003 Burger et al. .... D15/150  
D488,169 S 4/2004 Hopper

D559,865 S 1/2008 Wise  
7,415,988 B2 8/2008 Trettin et al.  
D670,314 S 11/2012 Galloway et al.  
D681,680 S 5/2013 Galloway et al.  
D683,368 S 5/2013 Galloway et al.

\* cited by examiner

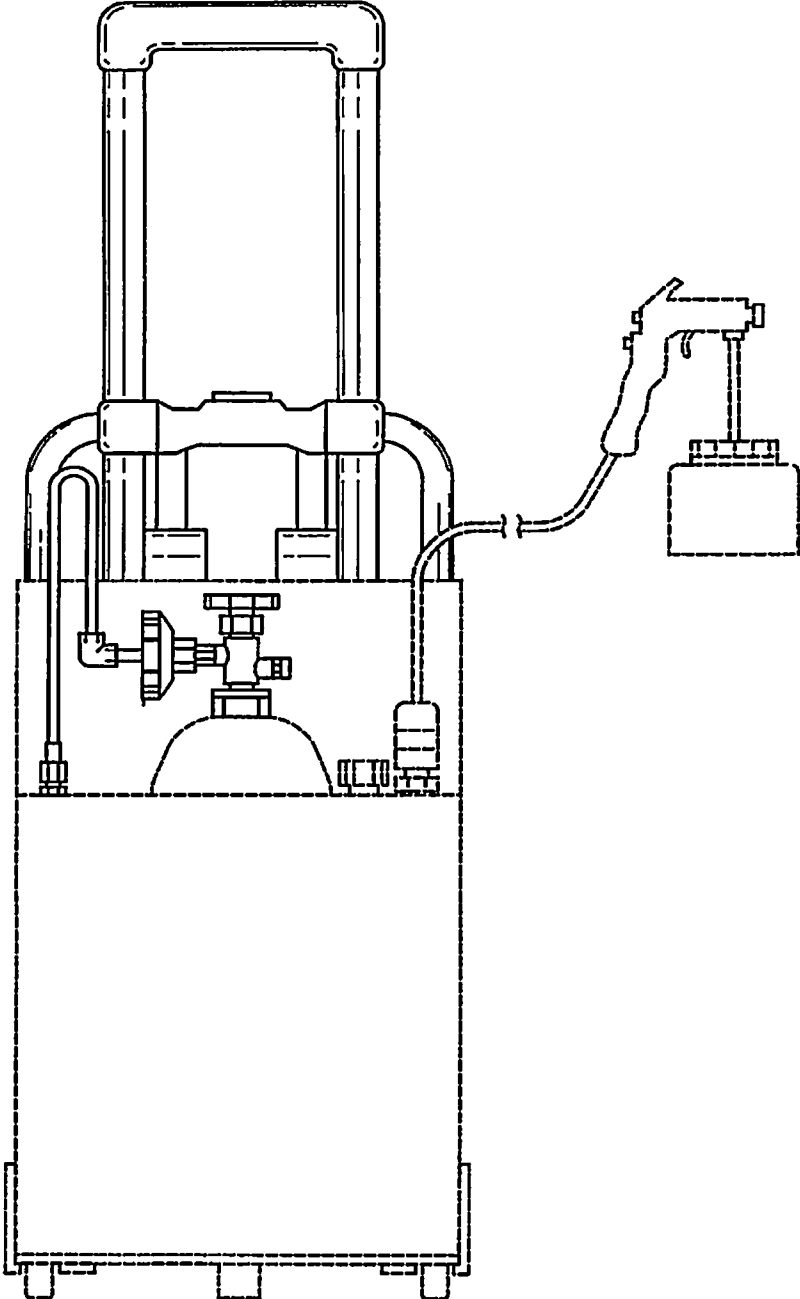


FIG.1

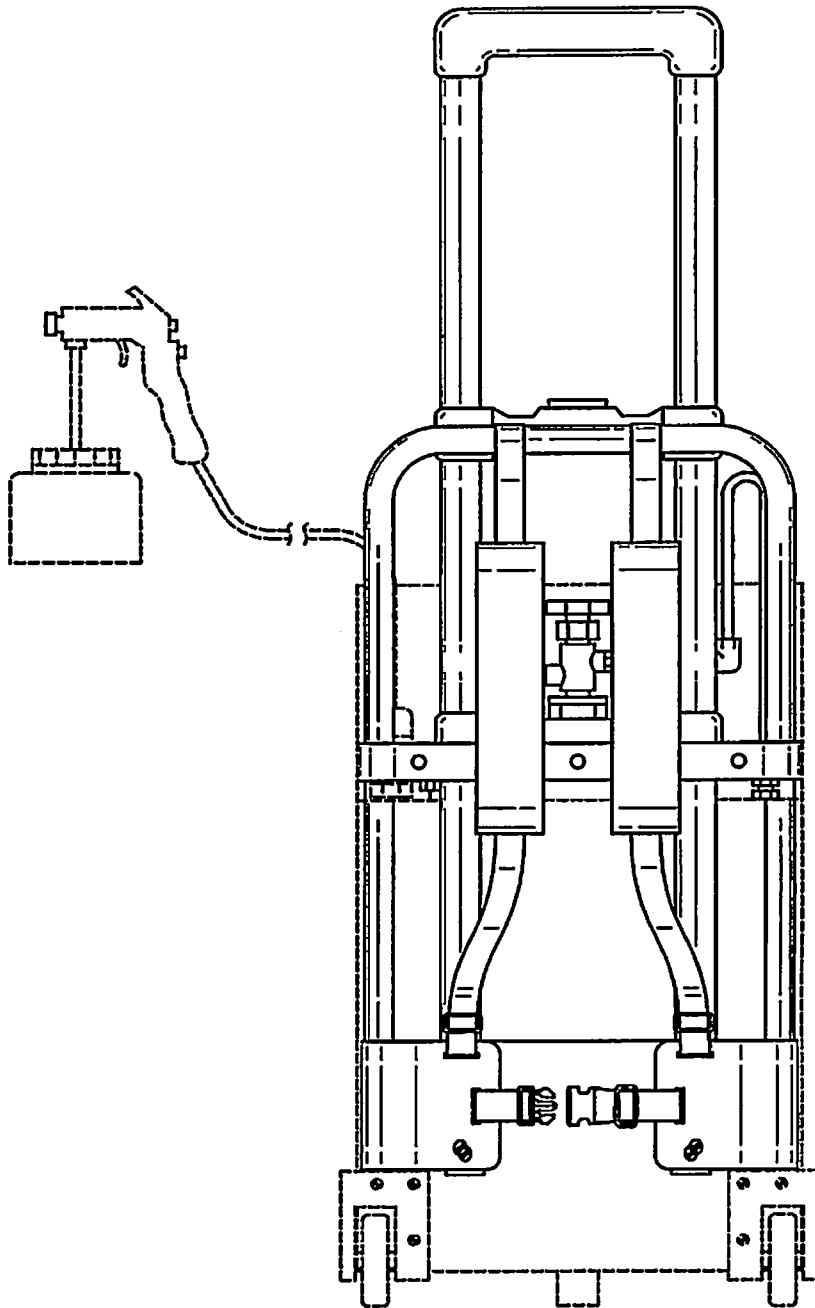


FIG.2

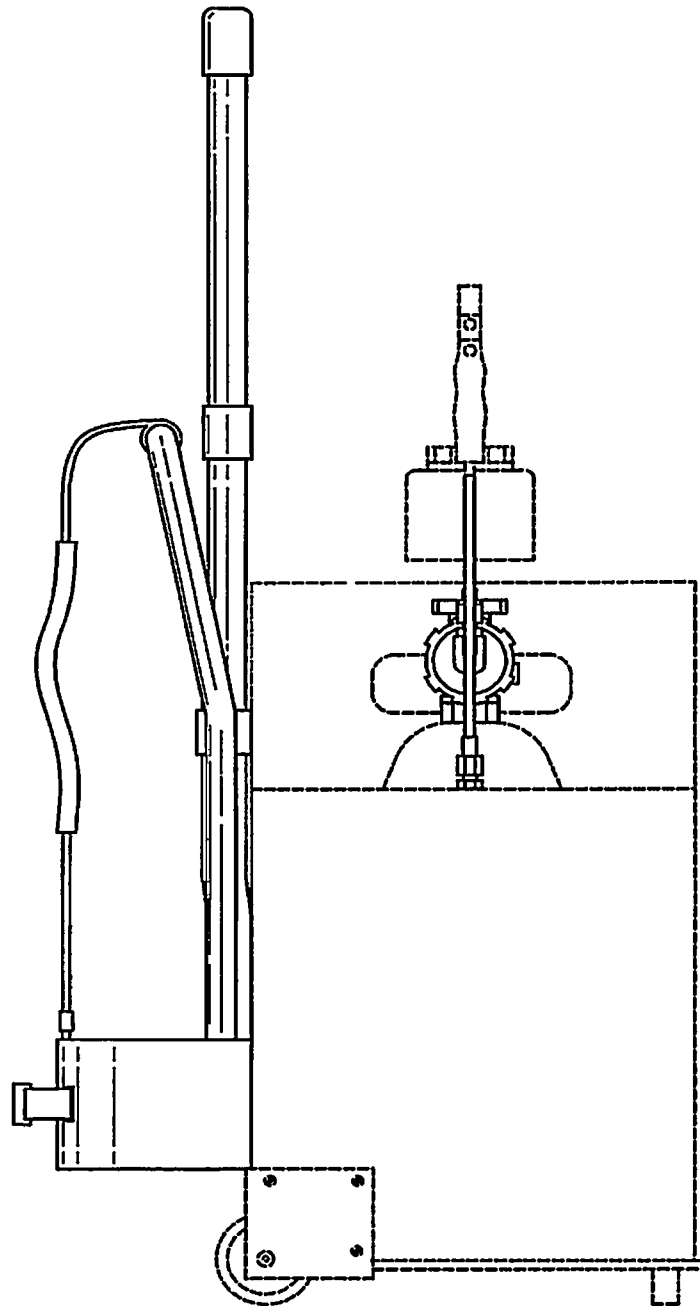


FIG.3

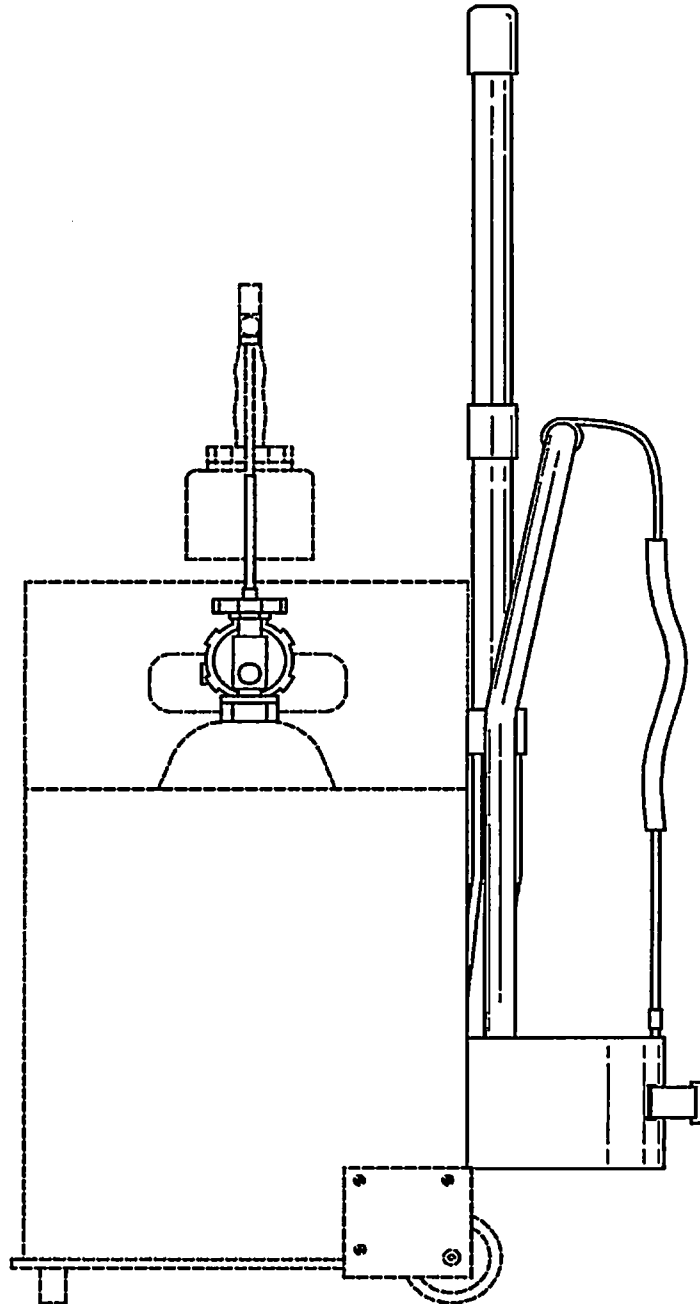


FIG.4

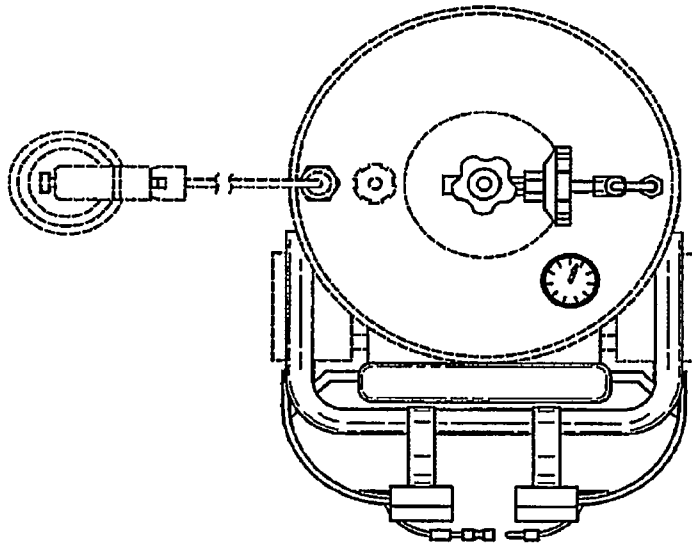


FIG. 5

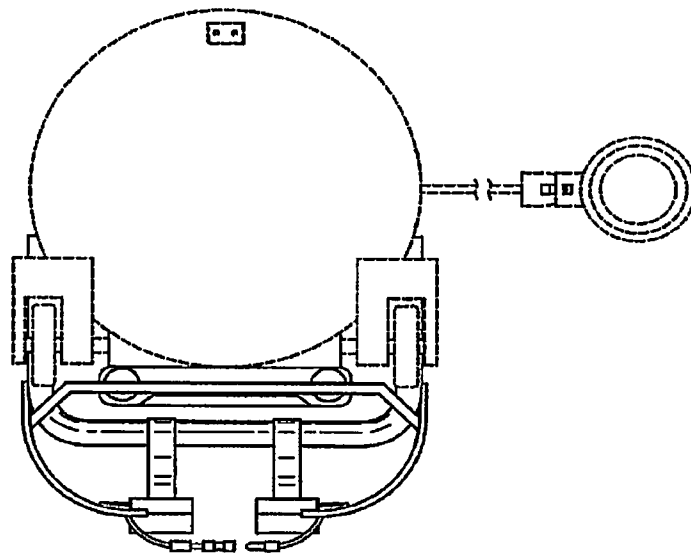


FIG. 6