



- (51) International Patent Classification:
E21B 33/06 (2006.01) E21B 33/076 (2006.01)
- (21) International Application Number:
PCT/EP20 11/061713
- (22) International Filing Date:
11 July 2011 (11.07.2011)
- (25) Filing Language: English
- (26) Publication Language: English
- (30) Priority Data:
10169262.2 12 July 2010 (12.07.2010) EP
11156283.1 28 February 2011 (28.02.2011) EP
- (71) Applicant (for all designated States except US): **WELL-TEC A/S** [DK/DK]; Gydevang 25, DK-3450 Allerød (DK).

- (72) Inventors; and
- (75) Inventors/Applicants (for US only): **HALLUNDB^K, Jorgen** [DK/DK]; Haregabsvej 15, Esb0nderup Skovhuse, DK-3230 Græsted (DK). **MANGAL, Lars** [GB/DK]; Bernstoffvej 10, DK-2900 Hellerup (DK).
- (74) Agent: **HOFFMANN DRAGSTED A/S**; Radhuspladsen 16, DK-1550 Keibenhavn V (DK).
- (81) Designated States (unless otherwise indicated, for every kind of national protection available): AE, AG, AL, AM, AO, AT, AU, AZ, BA, BB, BG, BH, BR, BW, BY, BZ, CA, CH, CL, CN, CO, CR, CU, CZ, DE, DK, DM, DO, DZ, EC, EE, EG, ES, FI, GB, GD, GE, GH, GM, GT, HN, HR, HU, ID, IL, IN, IS, JP, KE, KG, KM, KN, KP, KR, KZ, LA, LC, LK, LR, LS, LT, LU, LY, MA, MD, ME, MG, MK, MN, MW, MX, MY, MZ, NA, NG, NI, NO, NZ, OM, PE, PG, PH, PL, PT, RO, RS, RU, SC, SD, SE, SG,

[Continued on nextpage]

(54) Title: BLOWOUT PREVENTER AND LAUNCHER SYSTEM

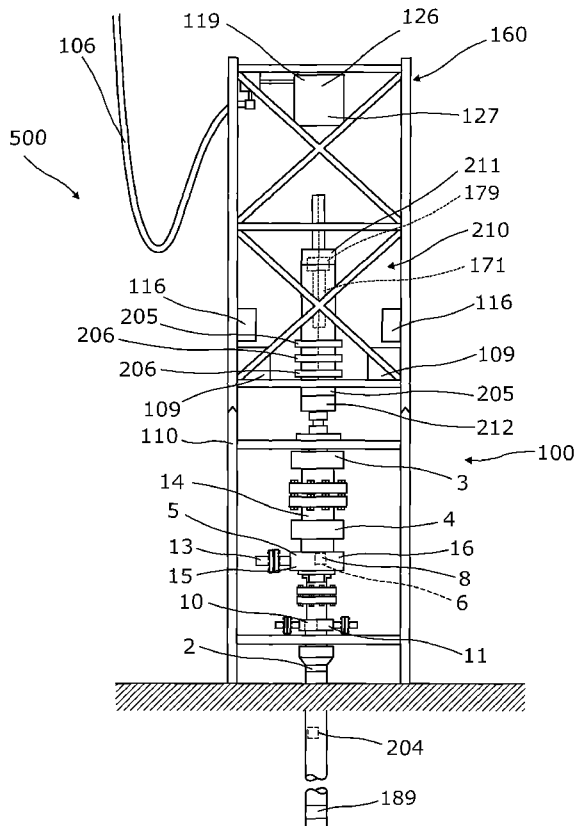


Fig. 3

(57) Abstract: The present invention relates to a blowout preventer for being mounted on a well head, comprising a plurality of valves arranged in fluid communication with each other, connected and forming a tubular pipe. Furthermore, the invention relates to a launcher system, a well intervention module, a well intervention system and a well system.



SK, SL, SM, ST, SV, SY, TH, TI, TM, TN, TR, TT, TZ,
UA, UG, US, UZ, VC, VN, ZA, ZM, ZW.

(84) **Designated States** (unless otherwise indicated, for every kind of regional protection available): ARIPO (BW, GH, GM, KE, LR, LS, MW, MZ, NA, SD, SL, SZ, TZ, UG, ZM, ZW), Eurasian (AM, AZ, BY, KG, KZ, MD, RU, TJ, TM), European (AL, AT, BE, BG, CH, CY, CZ, DE, DK, EE, ES, FI, FR, GB, GR, HR, HU, IE, IS, IT, LT, LU, LV, MC, MK, MT, NL, NO, PL, PT, RO, RS, SE, SI, SK, SM, TR), OAPI (BF, BJ, CF, CG, CI, CM, GA, GN, GQ, GW, ML, MR, NE, SN, TD, TG).

Declarations under Rule 4.17:

— as to applicant's entitlement to apply for and be granted a patent (Rule 4.17(H))

Published:

— with international search report (Art. 21(3))

— before the expiration of the time limit for amending the claims and to be republished in the event of receipt of amendments (Rule 48.2(h))

(88) **Date of publication of the international search report:**

28 June 2012

INTERNATIONAL SEARCH REPORT

International application No
PCT/EP2011/061713

A. CLASSIFICATION OF SUBJECT MATTER
INV. E21B33/06 E21B33/076
 ADD.
 According to International Patent Classification (IPC) or to both national classification and IPC

B. FIELDS SEARCHED
 Minimum documentation searched (classification system followed by classification symbols)
E21B

Documentation searched other than minimum documentation to the extent that such documents are included in the fields searched

Electronic data base consulted during the international search (name of data base and, where practical, search terms used)
EPO-Internal , WPI Data

C. DOCUMENTS CONSIDERED TO BE RELEVANT

| Category* | Citation of document, with indication, where appropriate, of the relevant passages | Relevant to claim No. |
|-----------|---|-----------------------|
| X | US 3 490 525 A (NETTLES HENRY D) 20 January 1970 (1970-01-20) | 1-12 ,32 |
| Y | column 6, line 27 - line 55 figure 4 | 19 ,21-27 |
| Y | ----- US 6 808 021 B2 (ZIMMERMAN THOMAS H [US] ET AL) 26 October 2004 (2004-10-26) column 6, line 46 - line 65 figure 5 | 19 ,21-27 |
| X | ----- US 4 162 704 A (GUNTHER ALBERT W [US]) 31 July 1979 (1979-07-31) column 5, line 31 - line 51 pressure gauge (24) figure 3 | 1, 11 |

Further documents are listed in the continuation of Box C. See patent family annex.

* Special categories of cited documents :

| | |
|---|---|
| "A" document defining the general state of the art which is not considered to be of particular relevance | "T" later document published after the international filing date or priority date and not in conflict with the application but cited to understand the principle or theory underlying the invention |
| "E" earlier document but published on or after the international filing date | "X" document of particular relevance; the claimed invention cannot be considered novel or cannot be considered to involve an inventive step when the document is taken alone |
| "L" document which may throw doubts on priority claim(s) or which is cited to establish the publication date of another citation or other special reason (as specified) | "Y" document of particular relevance; the claimed invention cannot be considered to involve an inventive step when the document is combined with one or more other such documents, such combination being obvious to a person skilled in the art. |
| "O" document referring to an oral disclosure, use, exhibition or other means | "&" document member of the same patent family |
| "P" document published prior to the international filing date but later than the priority date claimed | |

| | |
|---|---|
| Date of the actual completion of the international search 16 January 2012 | Date of mailing of the international search report 24/04/2012 |
|---|---|

| | |
|--|--|
| Name and mailing address of the ISA/ European Patent Office, P.B. 5818 Patentlaan 2 NL - 2280 HV Rijswijk Tel. (+31-70) 340-2040, Fax: (+31-70) 340-3016 | Authorized officer Schouten , Adri |
|--|--|

INTERNATIONAL SEARCH REPORT

International application No.
PCT/EP20 11/0617 13

Box No. II Observations where certain claims were found unsearchable (Continuation of item 2 of first sheet)

This international search report has not been established in respect of certain claims under Article 17(2)(a) for the following reasons:

1. Claims Nos.:
because they relate to subject matter not required to be searched by this Authority, namely:

2. Claims Nos.:
because they relate to parts of the international application that do not comply with the prescribed requirements to such an extent that no meaningful international search can be carried out, specifically:

3. Claims Nos.:
because they are dependent claims and are not drafted in accordance with the second and third sentences of Rule 6.4(a).

Box No. III Observations where unity of invention is lacking (Continuation of item 3 of first sheet)

This International Searching Authority found multiple inventions in this international application, as follows:

see additional sheet

1. As all required additional search fees were timely paid by the applicant, this international search report covers all searchable claims.
2. As all searchable claims could be searched without effort justifying an additional fees, this Authority did not invite payment of additional fees.
3. As only some of the required additional search fees were timely paid by the applicant, this international search report covers only those claims for which fees were paid, specifically claims Nos.:
4. No required additional search fees were timely paid by the applicant. Consequently, this international search report is restricted to the invention first mentioned in the claims; it is covered by claims Nos.:

"see additional sheet(s) "

Remark on Protest

The additional search fees were accompanied by the applicant's protest and, where applicable, the payment of a protest fee.

The additional search fees were accompanied by the applicant's protest but the applicable protest fee was not paid within the time limit specified in the invitation.

No protest accompanied the payment of additional search fees.

FURTHER INFORMATION CONTINUED FROM PCT/ISA/ 210

This International Searching Authority found multiple (groups of) inventions in this international application, as follows:

1. claims: 1-12, 19, 21-27, 32

A blowout preventer

2. claims: 13-18, 20, 28-31

A launcher system

INTERNATIONAL SEARCH REPORT

Information on patent family members

| |
|--|
| International application No PCT/EP2011/061713 |
|--|

| Patent document cited in search report | Publication date | Patent family member(s) | Publication date |
|--|------------------|-------------------------|-----------------------------|
| US 3490525 | A | 20-01-1970 | NONE |
| | | | |
| US 6808021 | B2 | 26-10-2004 | AU 5792701 A 21-02-2002 |
| | | | GB 2365895 A 27-02-2002 |
| | | | GB 2367079 A 27-03-2002 |
| | | | GB 2375785 A 27-11-2002 |
| | | | NO 20013926 A 15-02-2002 |
| | | | NO 20013928 A 15-02-2002 |
| | | | US 2002040783 A1 11-04-2002 |
| | | | |
| US 4162704 | A | 31-07-1979 | NONE |
| | | | |