



US00D347022S

# United States Patent [19] Schattner

[11] Patent Number: **Des. 347,022**  
[45] Date of Patent: **\*\* May 17, 1994**

- [54] **BINDER**
- [75] Inventor: **Robert L. Schattner**, Cherry Hill, N.J.
- [73] Assignee: **Omnimed, Inc.**, Maple Shade, N.J.
- [\*\*] Term: **14 Years**
- [21] Appl. No.: **210**
- [22] Filed: **Oct. 6, 1992**
- [52] U.S. Cl. .... **D19/27**
- [58] Field of Search ..... 281/31, 33, 29, 15.1, 281/21.1, 35, 45; 402/75, 76, 56; D19/26, 27

- [56] **References Cited**
- U.S. PATENT DOCUMENTS**
- |            |         |        |       |        |
|------------|---------|--------|-------|--------|
| D. 33,908  | 1/1901  | Miller | ..... | D19/26 |
| D. 182,105 | 2/1958  | Chese  | ..... | D19/27 |
| D. 193,703 | 10/1962 | Price  | ..... | D19/27 |
| D. 196,099 | 8/1963  | Sibley | ..... | D19/27 |
| D. 201,663 | 7/1965  | Bifano | ..... | D19/27 |

*Primary Examiner*—Wallace R. Burke  
*Assistant Examiner*—Pamela Burgess

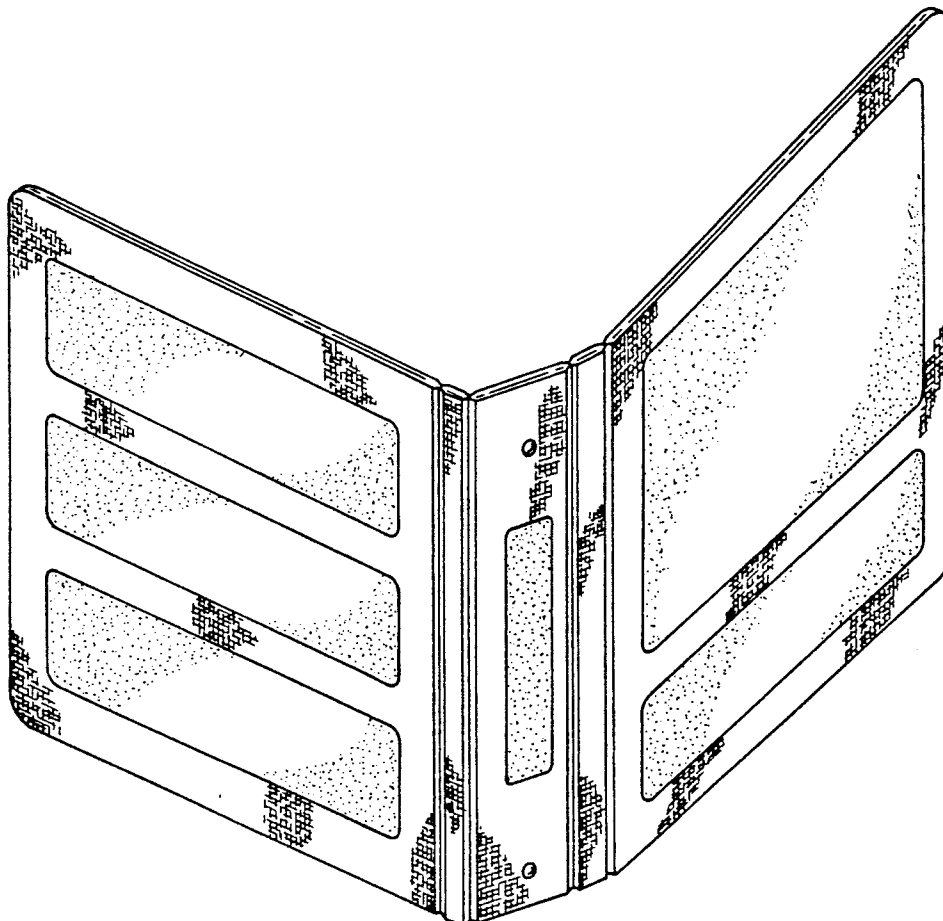
*Attorney, Agent, or Firm*—Wigman, Cohen, Leitner & Myers

### [57] CLAIM

The ornamental design for a binder, as shown and described.

### DESCRIPTION

FIG. 1 is a front perspective view of a binder showing my new design in a closed position;  
 FIG. 2 is a top plan view thereof, the undisclosed bottom being the same;  
 FIG. 3 is a rear perspective view thereof, in a partially opened position;  
 FIG. 4 is a reduced scale end elevational view thereof, in a fully opened position, the undisclosed end being the same;  
 FIG. 5 is a top plan view thereof in a fully opened position, the undisclosed bottom being the same;  
 FIG. 6 is a front perspective view thereof, in a partially opened position;  
 FIG. 7 is an enlarged front elevational view of a portion of the spine element thereof, in a fully opened position; and,  
 FIG. 8 is a bottom plan view of FIG. 7.



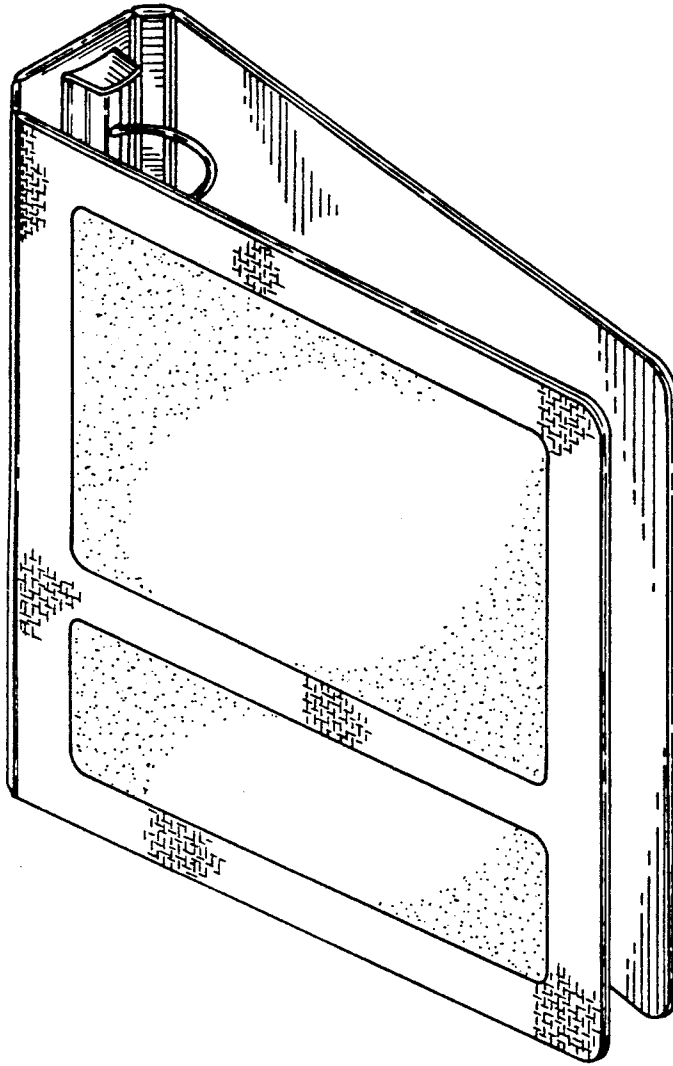


FIG. 1

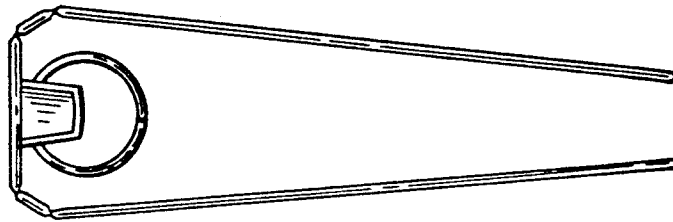


FIG. 2

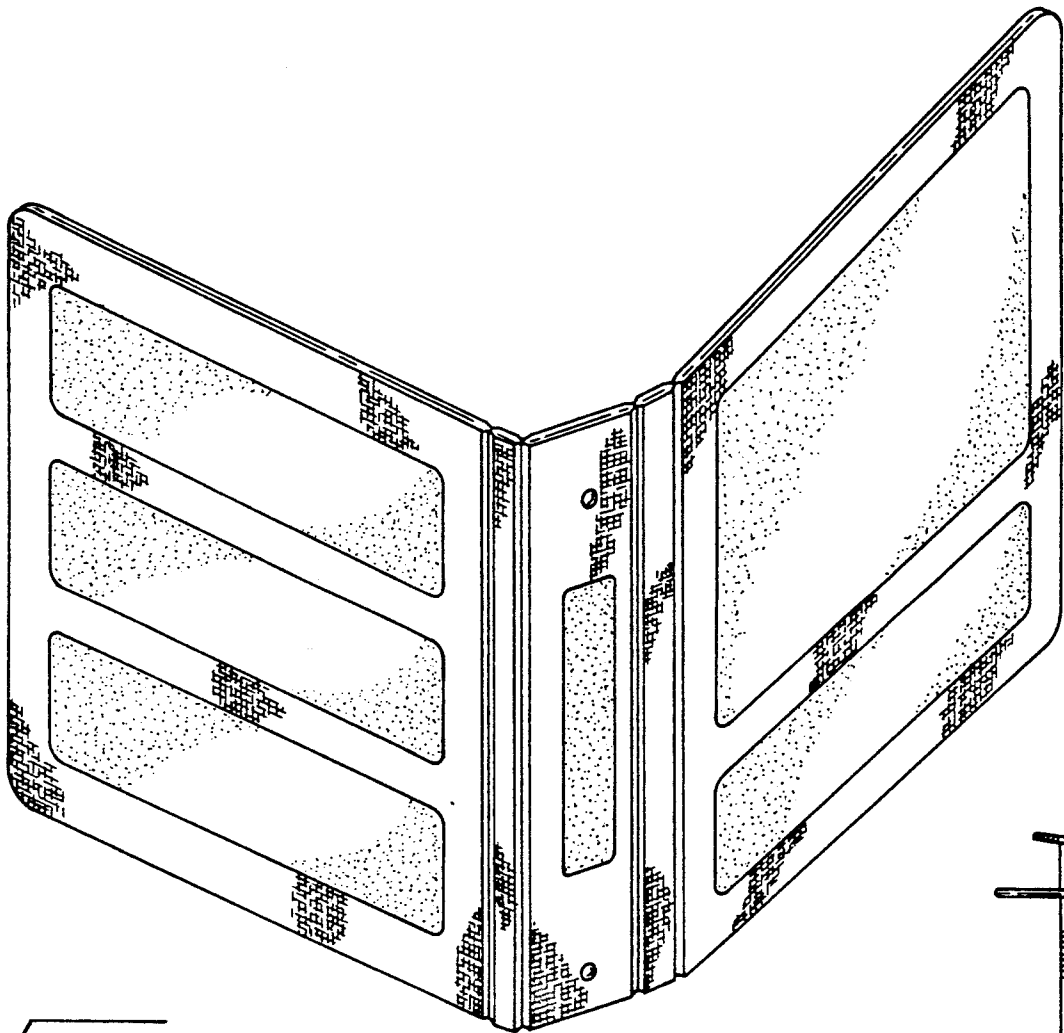


FIG. 3

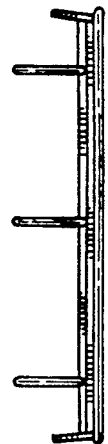


FIG. 4

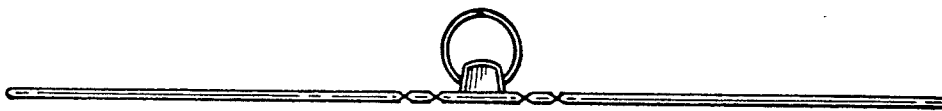


FIG. 5

FIG. 6

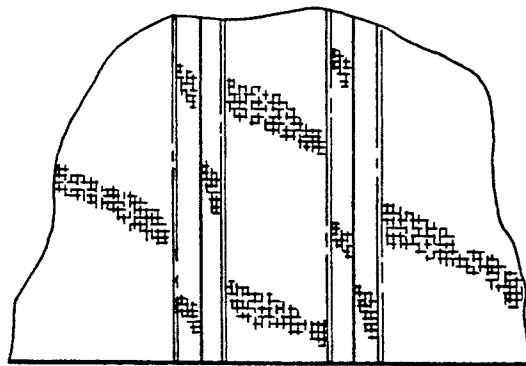
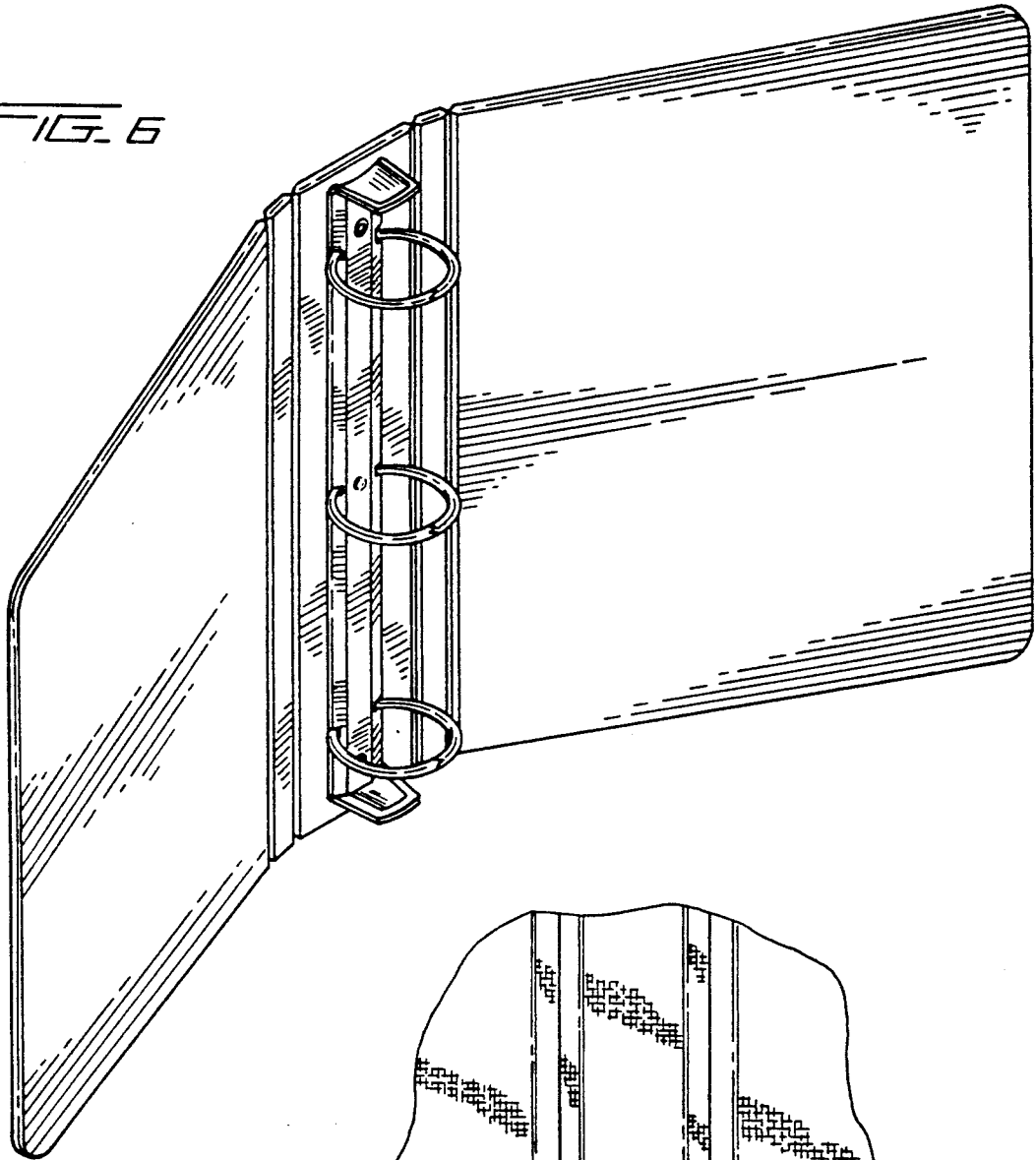


FIG. 7

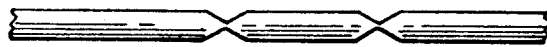


FIG. 8