



US00D525903S

(12) **United States Design Patent**
Weiser et al.

(10) **Patent No.:** **US D525,903 S**

(45) **Date of Patent:** **** Aug. 1, 2006**

(54) **GARDEN FLOWER**

(75) Inventors: **Margaret Weiser**, Tarzana, CA (US);
Isaac Weiser, Tarzana, CA (US)

(73) Assignee: **Exhart Environmental Systems, Inc.**,
Chatsworth, CA (US)

(**) Term: **14 Years**

(21) Appl. No.: **29/206,766**

(22) Filed: **Jun. 2, 2004**

(51) **LOC (8) Cl.** **11-04**

(52) **U.S. Cl.** **D11/117**

(58) **Field of Classification Search** D2/891,
D2/895, 976; D3/322; D5/66; D8/1; D9/661-664;
D11/33, 47, 48, 63, 67, 84, 117-164, 184;
D21/455-467; D20/21, 29; D23/215, 222,
D23/377, 385, 413; D26/4, 7, 14, 16, 19,
D26/57, 73, 80, 81, 101, 127; D28/6, 41,
D28/43, 79; 446/76, 175, 217, 236; 40/411-415,
40/429-432, 439-441, 473, 479, 480; 428/4,
428/5, 7-17, 23-27, 31, 542.2, 542.4, 542.6

See application file for complete search history.

(56) **References Cited**

U.S. PATENT DOCUMENTS

593,329 A * 11/1897 McLaughlin 239/55
1,381,995 A * 6/1921 Humbert 434/96

1,720,881 A * 7/1929 Brewster 239/57
D83,209 S * 2/1931 Pedersen D26/19
2,111,279 A * 3/1938 Cohen 362/255
D140,640 S * 3/1945 Fraser D11/86
D168,573 S * 1/1953 Katz D11/67
2,771,695 A * 11/1956 James 428/23
2,806,313 A * 9/1957 James 428/5
2,806,314 A * 9/1957 Moran 248/687
2,881,545 A * 4/1959 Decamp 428/26
5,659,988 A * 8/1997 Kim et al. 40/440
D417,887 S * 12/1999 Coipel D19/6

* cited by examiner

Primary Examiner—Catherine Tuttle

(74) *Attorney, Agent, or Firm*—Cislo & Thomas, LLP

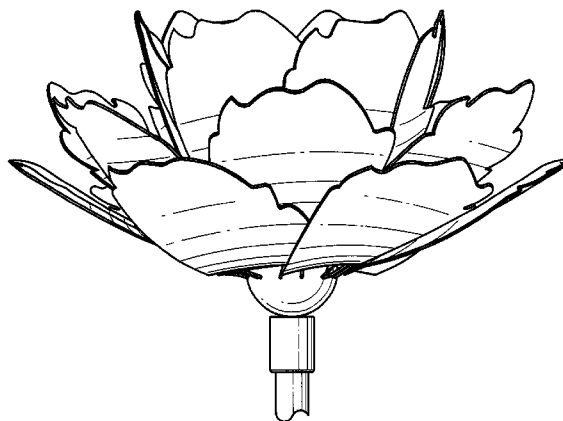
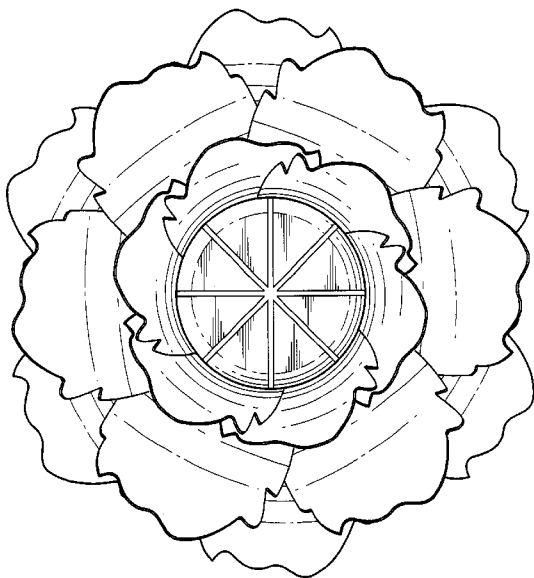
(57) **CLAIM**

I claim the ornamental design for a garden flower, as shown and described.

DESCRIPTION

FIG. 1 Is a top plan view of our garden flower;
FIG. 2 Is a bottom view thereof;
FIG. 3 Is a right side elevational thereof with the left side elevational view being identical thereto; and,
FIG. 4 Is a front elevational view thereof with the rear elevational view being identical thereto.
The stem portion of the design is shown partially broken away in the elevational views to indicate indeterminate length.

1 Claim, 3 Drawing Sheets



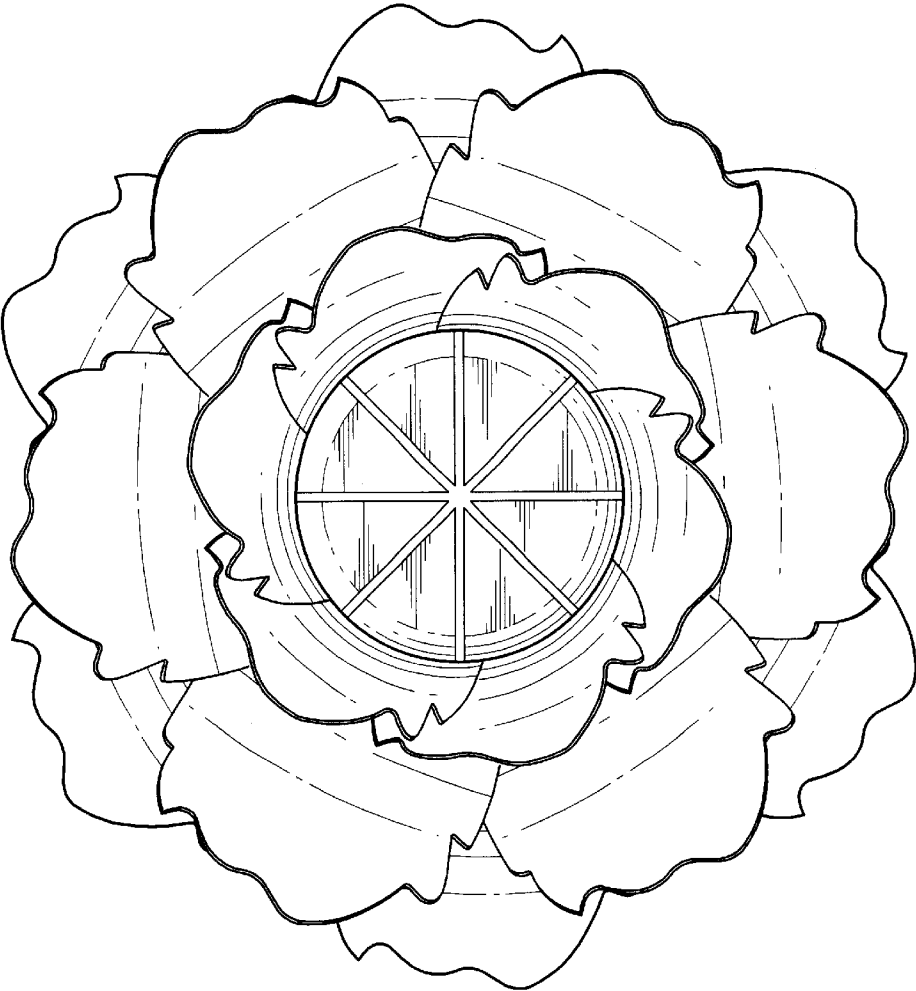


FIG. 1

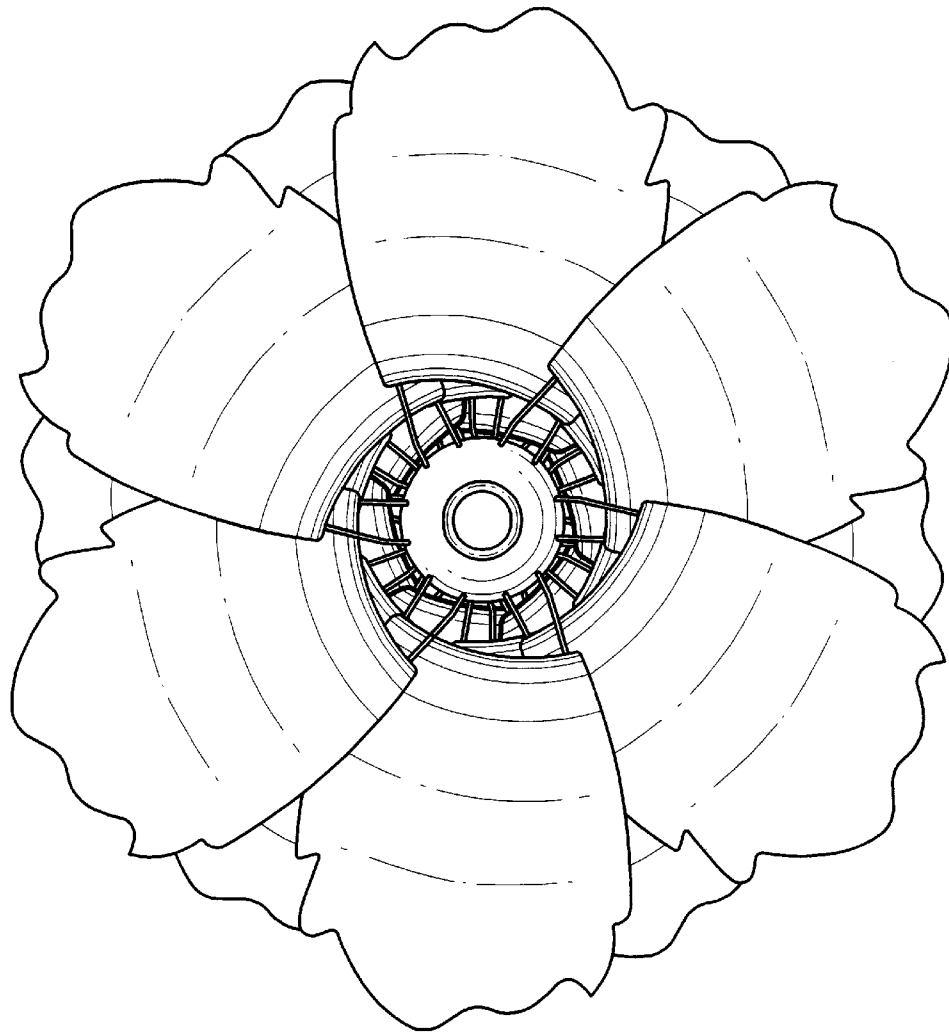


FIG. 2

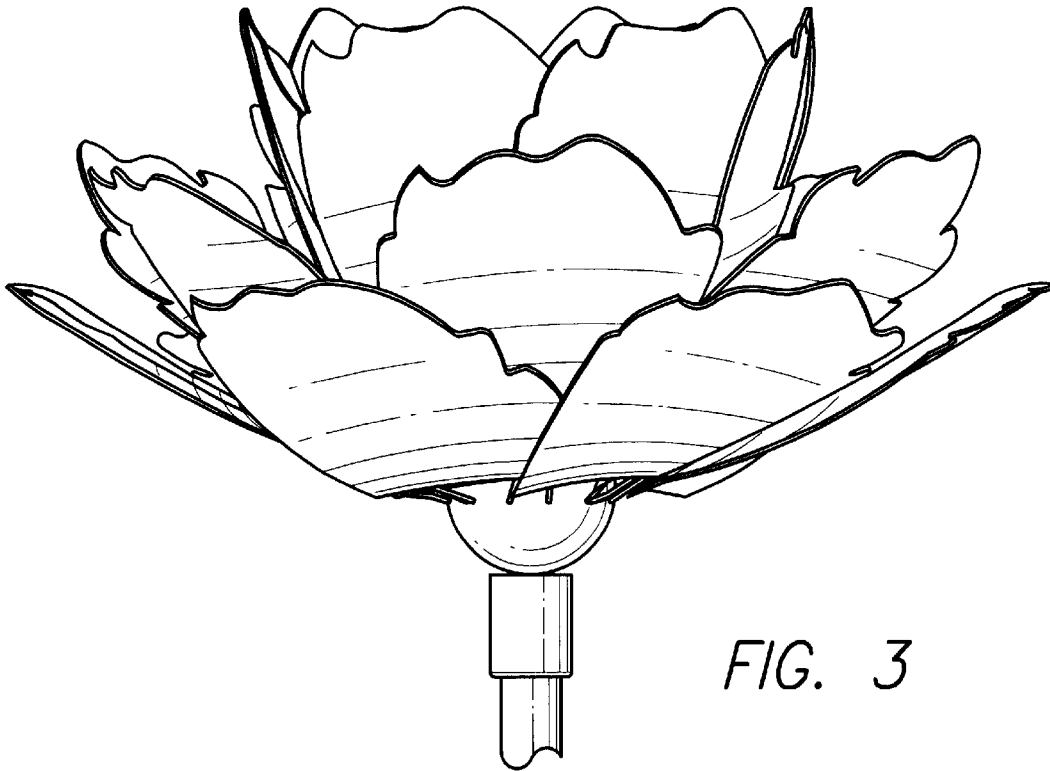


FIG. 3

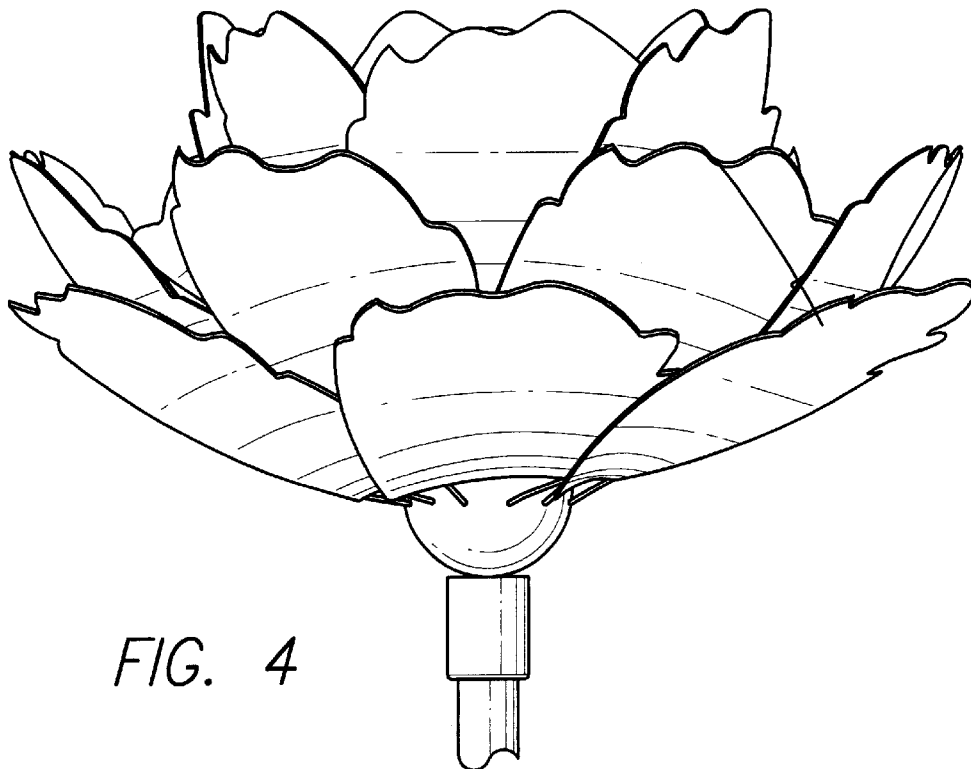


FIG. 4