



US00D382008S

United States Patent [19] Mak

[11] **Patent Number:** **Des. 382,008**
[45] **Date of Patent:** ****Aug. 5, 1997**

[54] **COMBINED CALCULATOR AND CLOCK**

[75] **Inventor:** **Ronnie Chi Wah Mak**, Kowloon,
Hong Kong
[73] **Assignee:** **Sanny Electronics Limited**, Kowloon,
Hong Kong
[**] **Term:** **14 Years**

D. 318,019 7/1991 Van Lelyveld D10/15
D. 366,215 1/1996 George et al. D10/15 X

Primary Examiner—James Gandy
Assistant Examiner—Caron D. Veynar
Attorney, Agent, or Firm—Beveridge, DeGrandi, Weilacher
& Young, LLP

[21] **Appl. No.:** **53,195**
[22] **Filed:** **Apr. 17, 1996**

[57] **CLAIM**

The ornamental design for a combined calculator and clock,
as shown and described.

[51] **LOC (6) Cl.** **18-01**
[52] **U.S. Cl.** **D18/2; D10/2; D10/15**
[58] **Field of Search** **D18/1, 2, 6, 7,**
D18/11, 12; D10/1, 2, 15, 30; D14/100;
200/5 A; 235/61 R; 340/365, 700; 364/706-710;
368/276, 277, 285, 316, 317, 280-282

DESCRIPTION

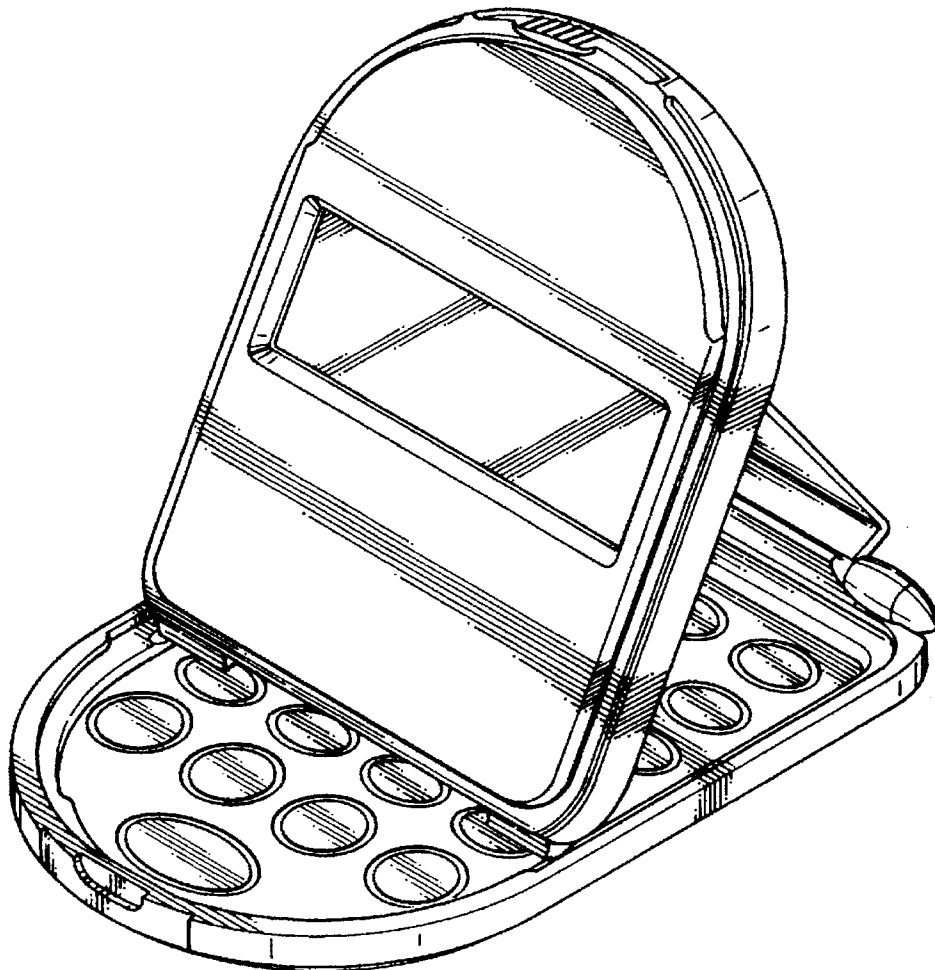
FIG. 1 is a rear view of a combined calculator and clock
showing my new design;
FIG. 2 is a left side view thereof;
FIG. 3 is a bottom view thereof;
FIG. 4 is a front view thereof;
FIG. 5 is a right side view thereof;
FIG. 6 is a top view thereof;
FIG. 7 is a front perspective view thereof;
FIG. 8 is a front view in opened position;
FIG. 9 is a front perspective view in opened position; and,
FIG. 10 is a front perspective view in an open support
position.

[56] **References Cited**

U.S. PATENT DOCUMENTS

D. 249,822 10/1978 Ohie et al. D18/7
D. 304,304 10/1989 Charet et al. D10/15
D. 310,093 8/1990 Sakaguchi et al. D18/7
D. 317,779 6/1991 Chen D18/7

1 Claim, 6 Drawing Sheets



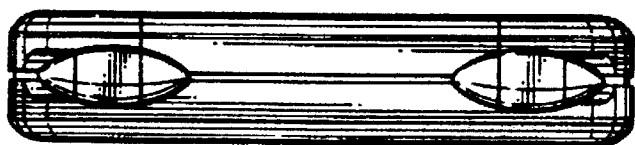


FIG. 3

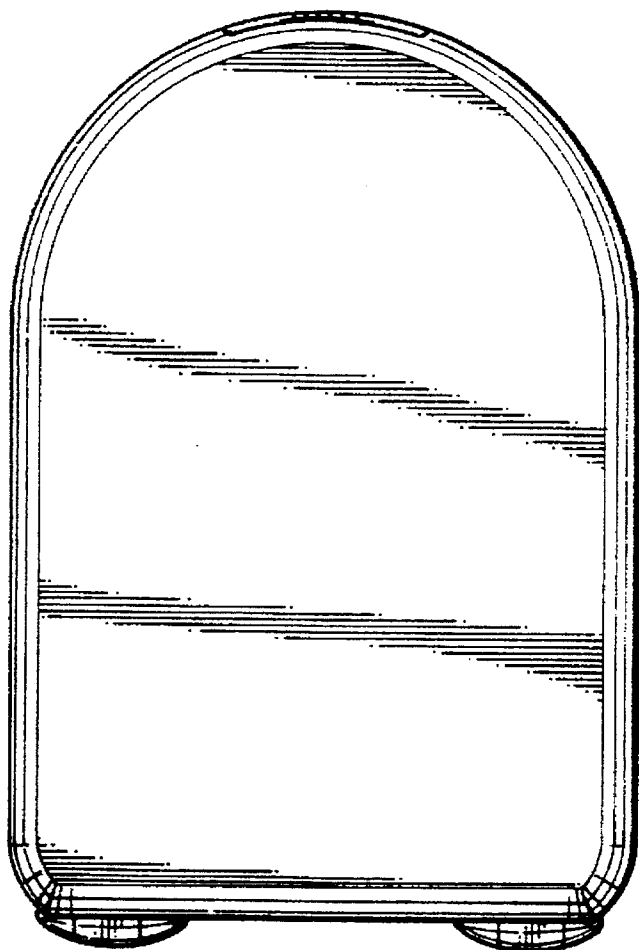


FIG. 1



FIG. 2



FIG. 6

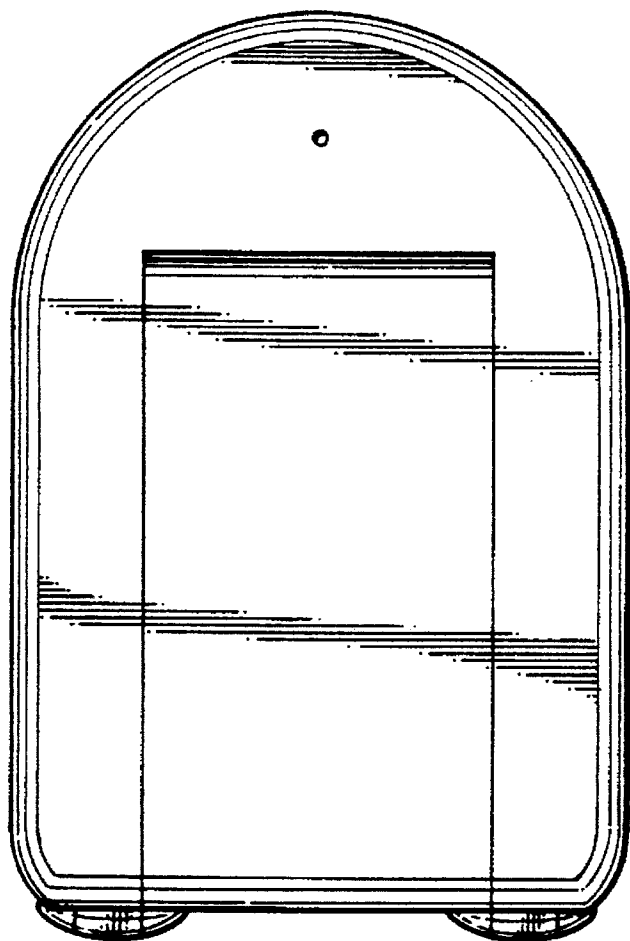


FIG. 4



FIG. 5

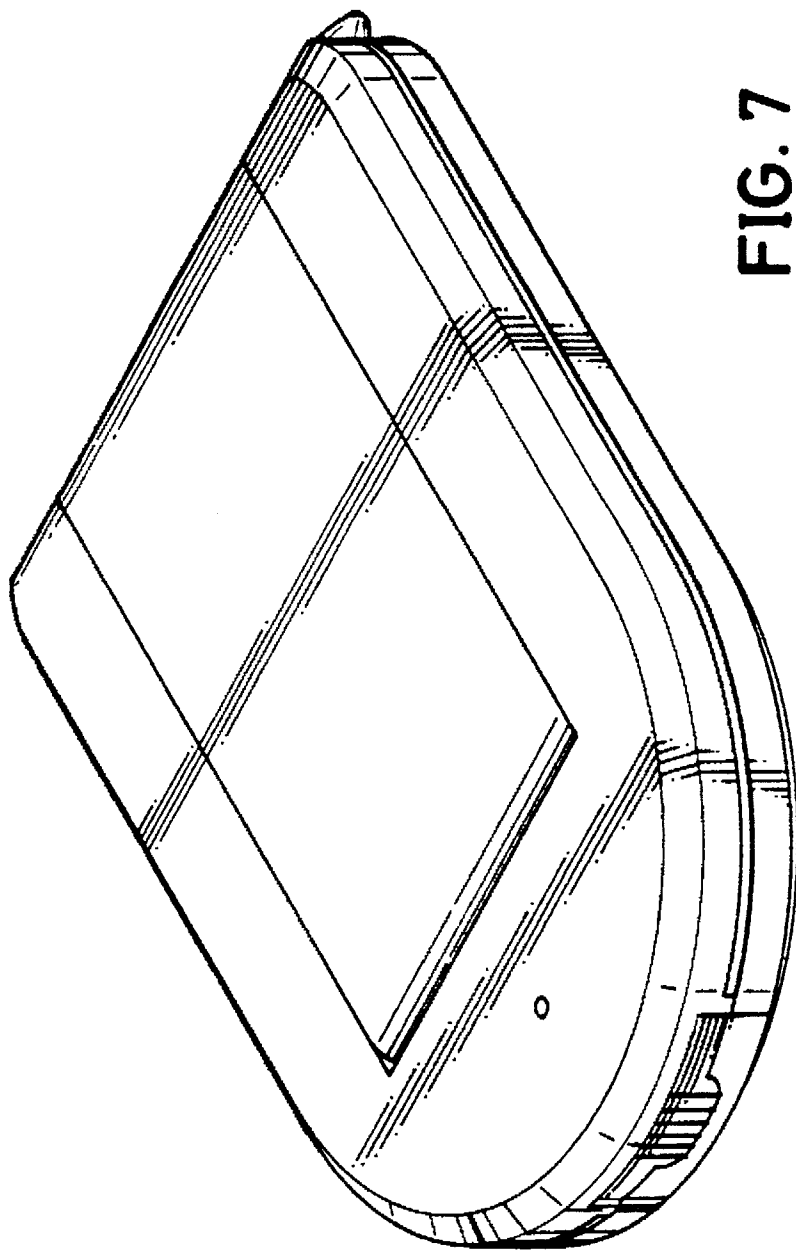


FIG. 7

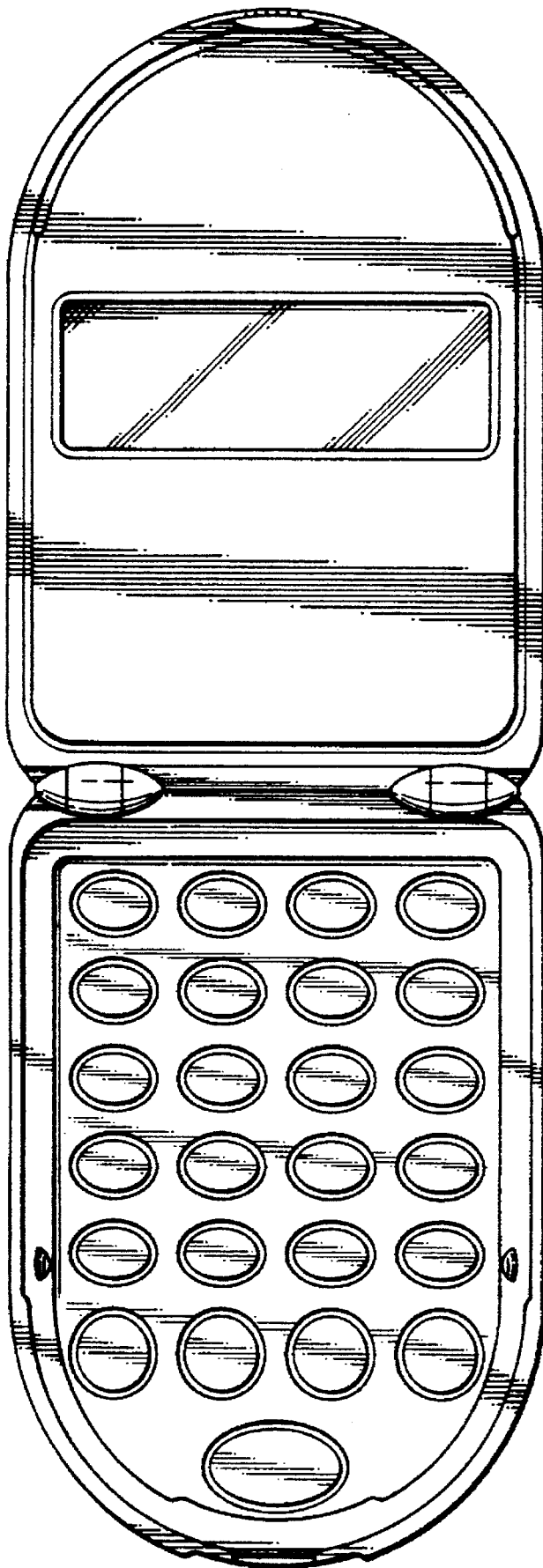


FIG. 8

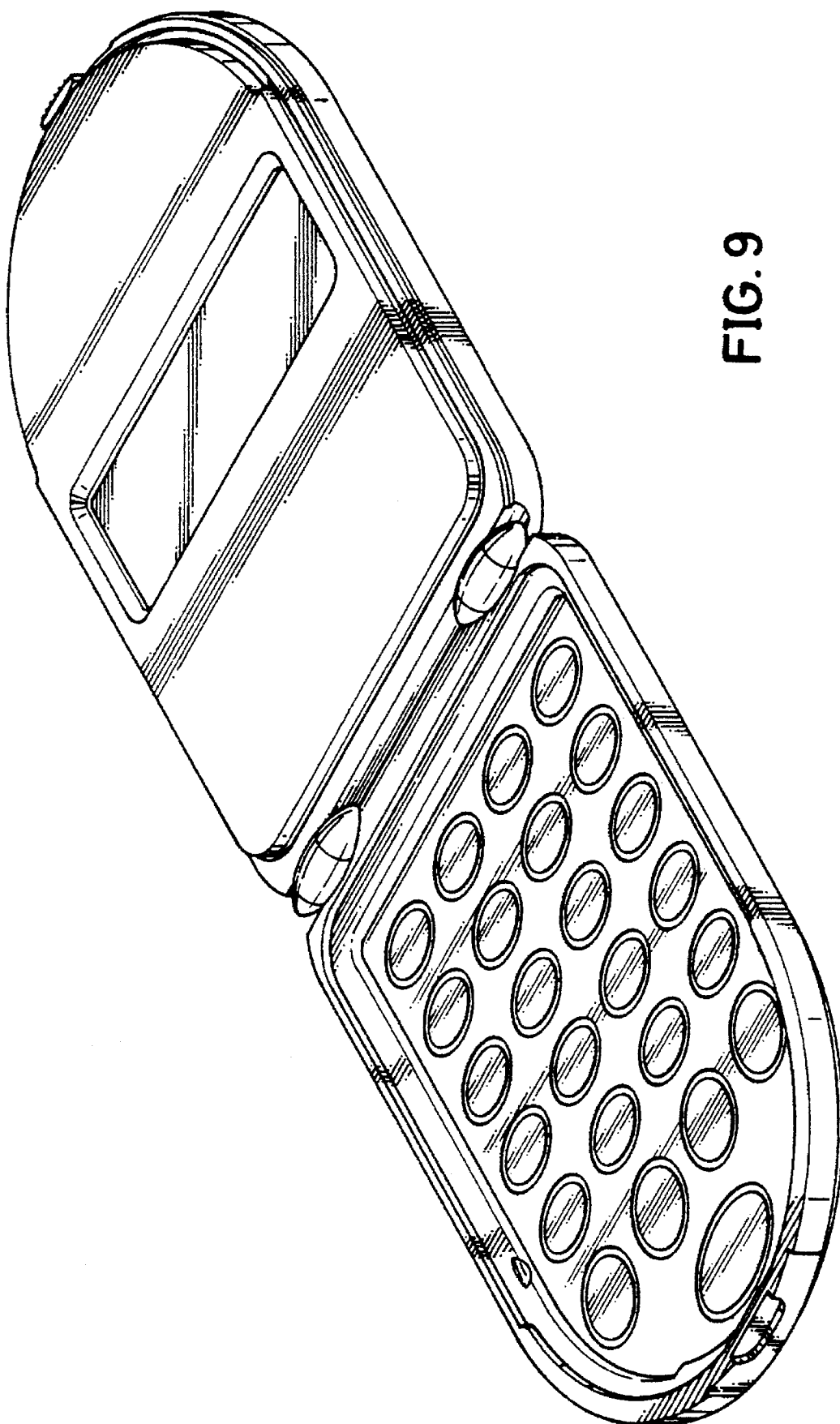


FIG. 9

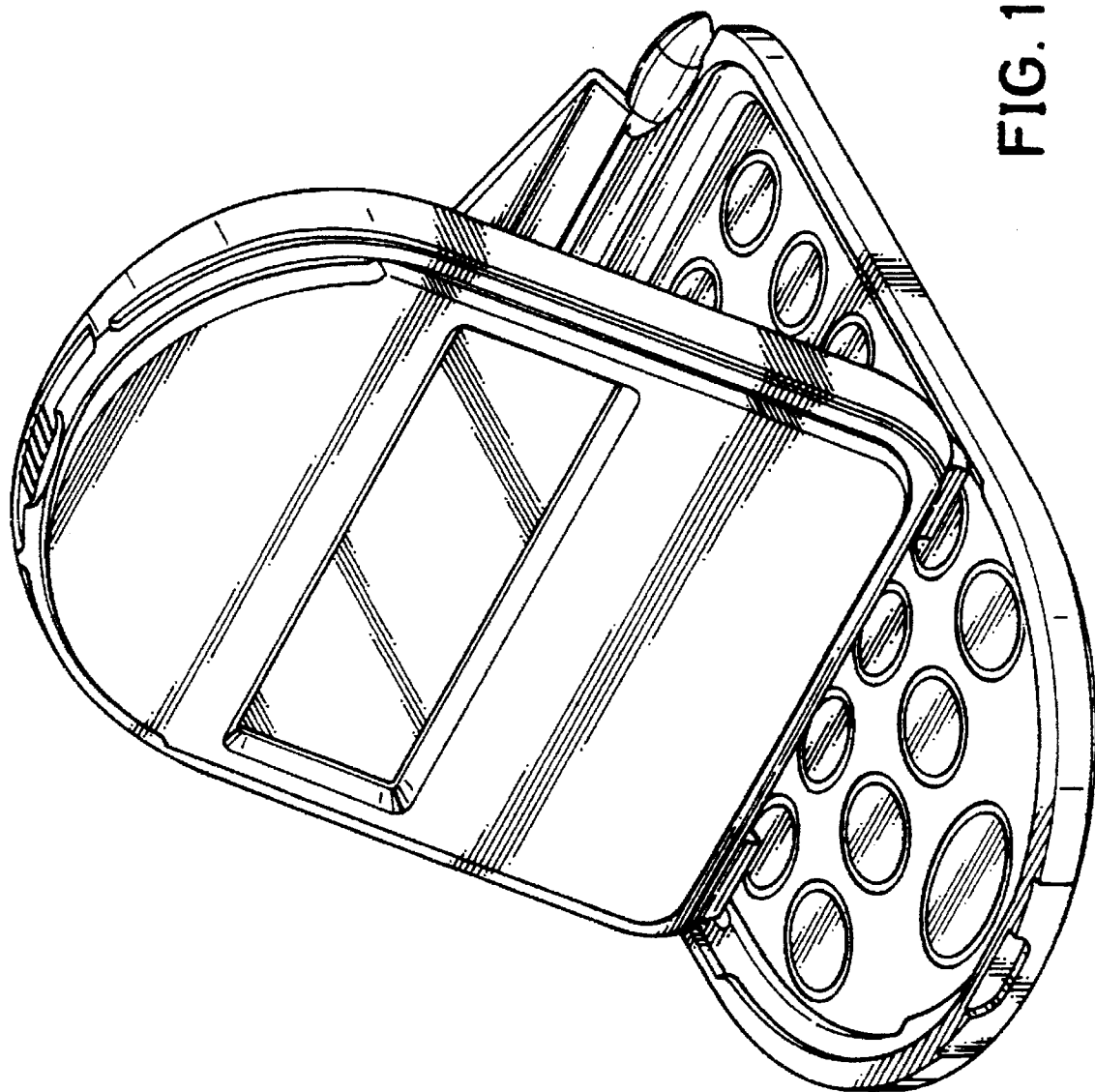


FIG. 10