

224,596

VOLTAGE TESTER CASING

James E. Winfrey, Asheville, and Wallace Hoyt Orr,
Hendersonville, N.C., assignors to Square D Company,
Park Ridge, Ill.

Filed Mar. 8, 1971, Ser. No. 122,263

Term of patent 14 years

Int. Cl. D10—05

U.S. Cl. D26—1

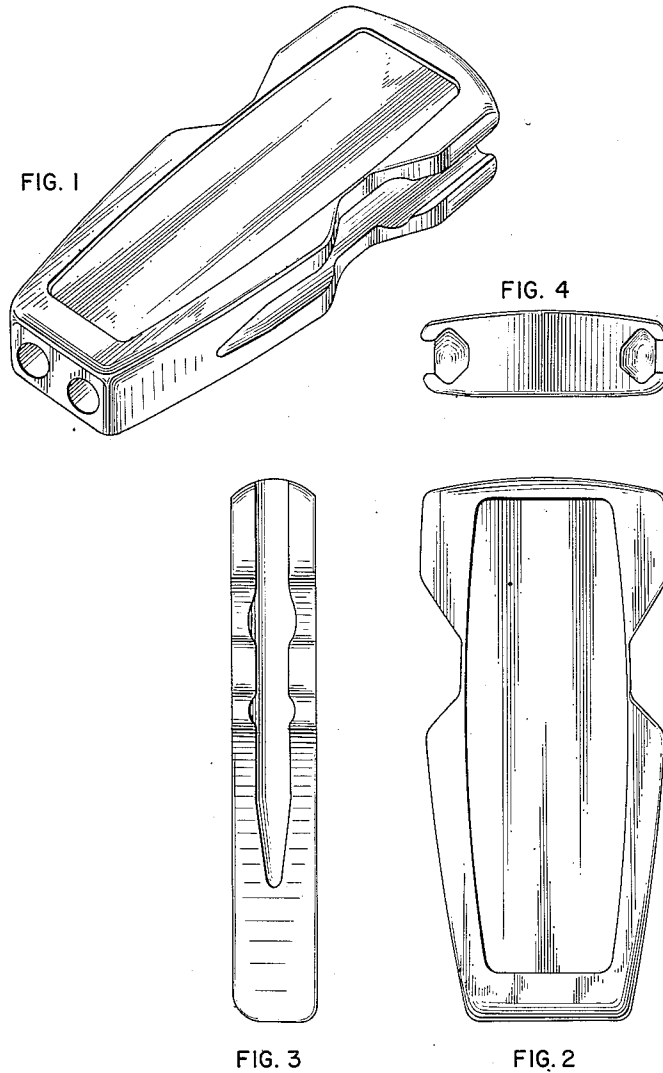


FIG. 5

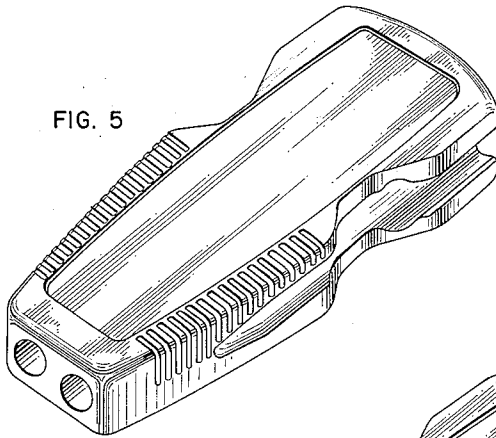


FIG. 6

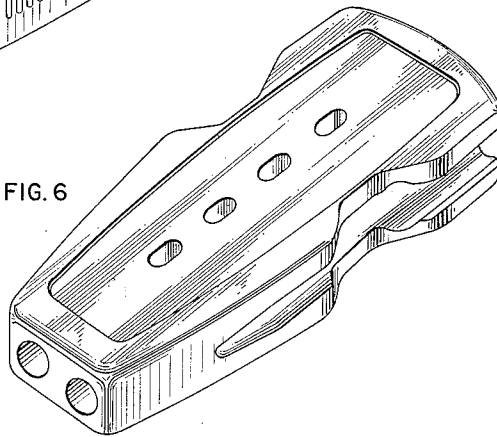


FIG. 1 is an isometric view of a voltage tester casing showing our new design;

FIG. 2 is a front elevational view thereof;

FIG. 3 is a side elevational view thereof;

FIG. 4 is a top elevational view thereof;

FIG. 5 is an isometric view of another form of our new design wherein shallow elongated grooves appear at the front and side surfaces thereof; and

FIG. 6 is an isometric view of yet another form of our new design wherein a plurality of openings appear in a recessed front surface thereof.

The rear of the voltage tester casting is essentially plain and without ornamentation.

We claim:

The ornamental design for a voltage tester casing, substantially as shown and described.

References Cited

UNITED STATES PATENTS

D. 213,962	4/1969	Potruch	-----	D26—1
D. 211,088	5/1968	Schwartz	-----	D26—1
D. 196,507	10/1963	Oehlerking	-----	D26—1
2,842,741	7/1958	Simkins	-----	324—72.5

JOEL STEARMAN, Primary Examiner

N. C. HOLTJE, Assistant Examiner