

(19) World Intellectual Property
Organization
International Bureau



(43) International Publication Date
6 March 2003 (06.03.2003)

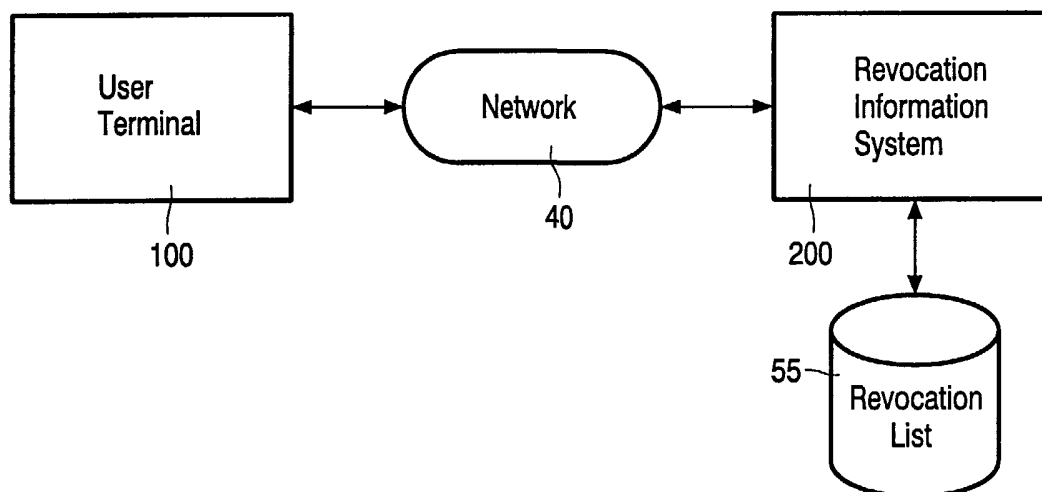
PCT

(10) International Publication Number
WO 2003/019438 A3

- (51) International Patent Classification⁷: **G06F 17/60**, G11B 20/00
- (21) International Application Number: PCT/IB2002/003073
- (22) International Filing Date: 12 July 2002 (12.07.2002)
- (25) Filing Language: English
- (26) Publication Language: English
- (30) Priority Data: 01203246.2 28 August 2001 (28.08.2001) EP
- (71) Applicant: **KONINKLIJKE PHILIPS ELECTRONICS N.V.** [NL/NL]; Groenewoudseweg 1, NL-5621 BA Eindhoven (NL).
- (72) Inventors: **BRUEKERS, Alphons, A., M., L.**; Prof. Holstlaan 6, NL-5656 AA Eindhoven (NL). **STARING, Antonius, A., M.**; Prof. Holstlaan 6, NL-5656 AA Eindhoven (NL).
- (74) Agent: **GROENENDAAL, Antonius, W., M.**; Internationaal Octrooibureau B.V., Prof. Holstlaan 6, NL-5656 AA Eindhoven (NL).
- (81) Designated States (*national*): CN, JP, KR.
- (84) Designated States (*regional*): European patent (AT, BE, BG, CH, CY, CZ, DE, DK, EE, ES, FI, FR, GB, GR, IE, IT, LU, MC, NL, PT, SE, SK, TR).
- Published:
— with international search report
- (88) Date of publication of the international search report: 17 June 2004

[Continued on next page]

(54) Title: CONSUMER AND REVOCATION OF THEIR EQUIPMENT



(57) Abstract: A system for allowing a potential buyer of second-hand of a CE device (60) to look up an identifier of the device (60) in a revocation list (55), in order to determine if the CE device (60) has been partially or full disabled as a result of revocation. The revocation list (55) may be accessible by a user on-line, e.g., on the Internet, or may be stored in a DVD. The CE device (60) may be equipped with a revocation status indicator 61 that, when activated by the user, causes the CE device (60) to access an on-line revocation list (55), look up its revocation status, and output its revocation status to the user. Alternatively, the CE device (60) may include a revocation status indicator (61) that accesses a tamper-resistant storage mechanism (63) in the CE device (60) to determine and output the revocation status.

WO 2003/019438 A3



For two-letter codes and other abbreviations, refer to the "Guidance Notes on Codes and Abbreviations" appearing at the beginning of each regular issue of the PCT Gazette.

INTERNATIONAL SEARCH REPORT

Internat^l plication No
PCT/IB 02/03073

A. CLASSIFICATION OF SUBJECT MATTER
IPC 7 G06F17/60 G11B20/00

According to International Patent Classification (IPC) or to both national classification and IPC

B. FIELDS SEARCHED

Minimum documentation searched (classification system followed by classification symbols)
IPC 7 G06F G11B H04L

Documentation searched other than minimum documentation to the extent that such documents are included in the fields searched

Electronic data base consulted during the international search (name of data base and, where practical, search terms used)

EPO-Internal

C. DOCUMENTS CONSIDERED TO BE RELEVANT

Category °	Citation of document, with indication, where appropriate, of the relevant passages	Relevant to claim No.
X	EP 0 869 636 A (ARCANVS) 7 October 1998 (1998-10-07) column 3, line 45 -column 11, line 11 ---	1-8
X	EP 1 098 311 A (MATSUSHITA ELECTRIC IND CO LTD ;TOKYO SHIBAURA ELECTRIC CO (JP)) 9 May 2001 (2001-05-09) column 2, line 50 -column 5, line 31 ---	7,8
A	WO 99 13615 A (MALISZEWSKI RICHARD L ;MANGOLD RICHARD P (US); GRAUNKE GARY L (US)) 18 March 1999 (1999-03-18) page 5, line 1 -page 18, line 5 ---	1-8
A	WO 01 42886 A (KONINKL PHILIPS ELECTRONICS NV) 14 June 2001 (2001-06-14) page 2, line 30 -page 9, line 35 ---	1-8
	-/--	

Further documents are listed in the continuation of box C.

Patent family members are listed in annex.

° Special categories of cited documents :

- *A* document defining the general state of the art which is not considered to be of particular relevance
- *E* earlier document but published on or after the international filing date
- *L* document which may throw doubts on priority claim(s) or which is cited to establish the publication date of another citation or other special reason (as specified)
- *O* document referring to an oral disclosure, use, exhibition or other means
- *P* document published prior to the International filing date but later than the priority date claimed

- *T* later document published after the international filing date or priority date and not in conflict with the application but cited to understand the principle or theory underlying the invention
- *X* document of particular relevance; the claimed invention cannot be considered novel or cannot be considered to involve an inventive step when the document is taken alone
- *Y* document of particular relevance; the claimed invention cannot be considered to involve an inventive step when the document is combined with one or more other such documents, such combination being obvious to a person skilled in the art.
- *&* document member of the same patent family

Date of the actual completion of the international search

4 June 2003

Date of mailing of the international search report

16/06/2003

Name and mailing address of the ISA

European Patent Office, P.B. 5818 Patentlaan 2
NL - 2280 HV Rijswijk
Tel. (+31-70) 340-2040, Tx. 31 651 epo nl,
Fax: (+31-70) 340-3016

Authorized officer

Beatty, J

INTERNATIONAL SEARCH REPORT

Internatic	lication No
PCT/IB 02/03073	

C.(Continuation) DOCUMENTS CONSIDERED TO BE RELEVANT

Category °	Citation of document, with indication, where appropriate, of the relevant passages	Relevant to claim No.
A	WO 01 61591 A (SONY ELECTRONICS INC) 23 August 2001 (2001-08-23) page 3, paragraph 3 -page 12, paragraph 5 -----	1-8

INTERNATIONAL SEARCH REPORT

Internat	plication No
PCT/IB 02/03073	

Patent document cited in search report		Publication date		Patent family member(s)	Publication date
EP 0869636	A	07-10-1998	US	6044462 A	28-03-2000
			EP	0869636 A2	07-10-1998

EP 1098311	A	09-05-2001	CN	1313550 A	19-09-2001
			DE	60001478 D1	03-04-2003
			EP	1098311 A1	09-05-2001
			JP	3312024 B2	05-08-2002
			JP	2001166996 A	22-06-2001

WO 9913615	A	18-03-1999	US	6175925 B1	16-01-2001
			AU	8412698 A	29-03-1999
			EP	1010291 A1	21-06-2000
			WO	9913615 A1	18-03-1999

WO 0142886	A	14-06-2001	CN	1346454 T	24-04-2002
			WO	0142886 A2	14-06-2001
			EP	1177495 A2	06-02-2002

WO 0161591	A	23-08-2001	AU	3464301 A	27-08-2001
			WO	0161591 A1	23-08-2001
