

(19) World Intellectual Property Organization
International Bureau



(43) International Publication Date
1 February 2007 (01.02.2007)

PCT

(10) International Publication Number
WO 2007/014340 A3

(51) International Patent Classification:
B32B 3/12 (2006.01)

(21) International Application Number:

PCT/US2006/029453

(22) International Filing Date: 27 July 2006 (27.07.2006)

(25) Filing Language: English

(26) Publication Language: English

(30) Priority Data:

60/703,048 27 July 2005 (27.07.2005) US
11/494,049 27 July 2006 (27.07.2006) US

(71) Applicant (for all designated States except US): **MILWAUKEE COMPOSITES, INC.** [US/US]; 7330 South First Street, Oak Creek, Wisconsin 53154 (US).

(72) Inventors; and

(75) Inventors/Applicants (for US only): **LOCHER, David, M.** [US/US]; W295N425 Bryn Drive, Waukesha, Wisconsin 53188 (US). **DESING, James, E.** [US/US]; W3034 Lafayette Lane, Elkhorn, WI 503121 (US).

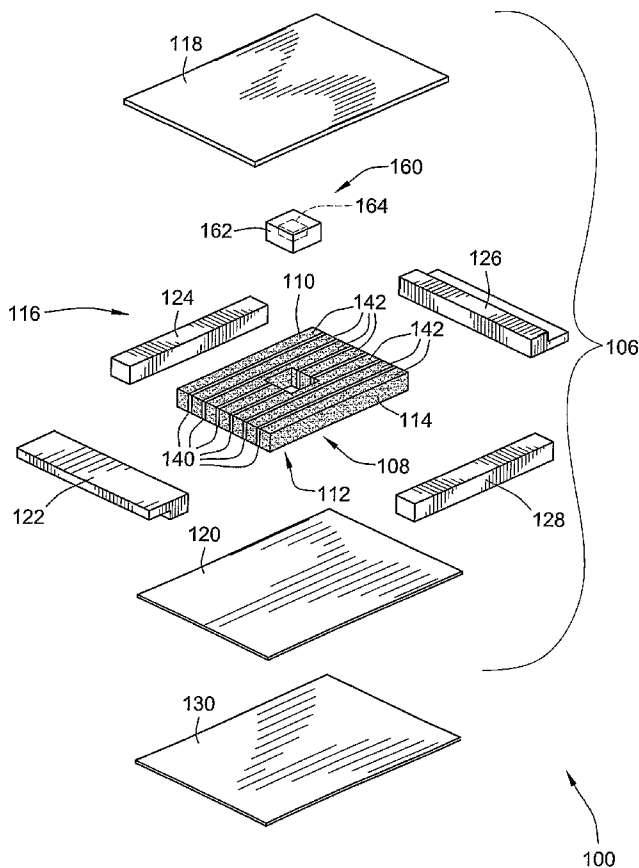
(74) Agent: **CROWE, Lawrence, E.**; Reinhart Boerner Van Deuren P.C., 2215 Perrygreen Way, Rockford, IL 61107 (US).

(81) Designated States (unless otherwise indicated, for every kind of national protection available): AE, AG, AL, AM, AT, AU, AZ, BA, BB, BG, BR, BW, BY, BZ, CA, CH, CN, CO, CR, CU, CZ, DE, DK, DM, DZ, EC, EE, EG, ES, FI, GB, GD, GE, GH, GM, HN, HR, HU, ID, IL, IN, IS, JP, KE, KG, KM, KN, KP, KR, KZ, LA, LC, LK, LR, LS, LT, LU, LV, LY, MA, MD, MG, MK, MN, MW, MX, MZ, NA, NG, NI, NO, NZ, OM, PG, PH, PL, PT, RO, RS, RU, SC, SD, SE, SG, SK, SL, SM, SY, TJ, TM, TN, TR, TT, TZ, UA, UG, US, UZ, VC, VN, ZA, ZM, ZW.

(84) Designated States (unless otherwise indicated, for every kind of regional protection available): ARIPO (BW, GH, GM, KE, LS, MW, MZ, NA, SD, SL, SZ, TZ, UG, ZM, ZW), Eurasian (AM, AZ, BY, KG, KZ, MD, RU, TJ, TM), European (AT, BE, BG, CH, CY, CZ, DE, DK, EE, ES, FI, FR, GB, GR, HU, IE, IS, IT, LT, LU, LV, MC, NL, PL, PT, RO, SE, SI, SK, TR), OAPI (BF, BJ, CF, CG, CI, CM, GA, GN, GQ, GW, ML, MR, NE, SN, TD, TG).

[Continued on next page]

(54) Title: FIRE RETARDANT PANEL APPARATUS AND METHOD OF MAKING AND USING SAME



(57) Abstract: A flame retardant panel apparatus, and method, utilize a flame retardant panel, having an exterior and an interior face thereof, with the panel including a panel structure having a primary core encapsulated within a panel frame of reinforced phenolic material, and a layer of flame retardant material attached to the panel structure and extending outwardly therefrom to at least partially define an exterior face of the flame retardant panel. The flame retardant panel is suitable for use in mass transit conveyances, such as subway cars, high speed cars, rail cars, buses, rapid response vehicles, marine vessels, and elevators.

WO 2007/014340 A3



Published:

- *with international search report*
- *before the expiration of the time limit for amending the claims and to be republished in the event of receipt of amendments*

(88) Date of publication of the international search report:
21 February 2008

INTERNATIONAL SEARCH REPORT

International application No.

PCT/US06/29453

A. CLASSIFICATION OF SUBJECT MATTER IPC(8) - B32B 3/12 (2007.01) USPC - 428/117 According to International Patent Classification (IPC) or to both national classification and IPC		
B. FIELDS SEARCHED Minimum documentation searched (classification system followed by classification symbols) IPC(8) - B32B 3/12 (2007.01) USPC - 52/783.1, 793.1; 156/306.9, 307.7; 428/76, 408, 117, 421, 920 Documentation searched other than minimum documentation to the extent that such documents are included in the fields searched Electronic data base consulted during the international search (name of data base and, where practicable, search terms used) USPTO EAST System (US, USPG-PUB, EPO, DERWENT)		
C. DOCUMENTS CONSIDERED TO BE RELEVANT		
Category*	Citation of document, with indication, where appropriate, of the relevant passages	Relevant to claim No.
X	US 4,557,961 A (GORGES) 10 December 1985 (10.12.1985) entire document	1-3, 28-33, 40-41, 43-51, 58-61, 66
--		
Y		4-27, 34-39, 42, 52-57, 62-65
Y	US 4,396,142 A (LINES, JR. et al) 02 August 1983 (02.08.1983) entire document	4-14, 34-38, 42, 62-65
Y	US 6,824,851 B1 (LOCHER et al) 30 November 2004 (30.11.2004) entire document	15-25, 52-57
Y	US 2002/0152697 A1 (HOKKIRIGAWA et al) 24 October 2002 (24.10.2002) entire document	26-27
Y	US 5,600,930 A (DRUCKER) 11 February 1997 (11.02.1997) entire document	39
<input type="checkbox"/> Further documents are listed in the continuation of Box C. <input type="checkbox"/>		
* Special categories of cited documents: "A" document defining the general state of the art which is not considered to be of particular relevance "E" earlier application or patent but published on or after the international filing date "L" document which may throw doubts on priority claim(s) or which is cited to establish the publication date of another citation or other special reason (as specified) "O" document referring to an oral disclosure, use, exhibition or other means "P" document published prior to the international filing date but later than the priority date claimed "T" later document published after the international filing date or priority date and not in conflict with the application but cited to understand the principle or theory underlying the invention "X" document of particular relevance; the claimed invention cannot be considered novel or cannot be considered to involve an inventive step when the document is taken alone "Y" document of particular relevance; the claimed invention cannot be considered to involve an inventive step when the document is combined with one or more other such documents, such combination being obvious to a person skilled in the art "&" document member of the same patent family		
Date of the actual completion of the international search 10 August 2007		Date of mailing of the international search report 16 NOV 2007
Name and mailing address of the ISA/US Mail Stop PCT, Attn: ISA/US, Commissioner for Patents P.O. Box 1450, Alexandria, Virginia 22313-1450 Facsimile No. 571-273-3201		Authorized officer: Blaine R. Copenheaver PCT Helpdesk: 571-272-4300 PCT OSP: 571-272-7774