

[54] TOOTHBRUSH

4,411,041 10/1983 Braga 15/167.1

[76] Inventors: Milton Hodosh; Steven H. Hodosh; Alex J. Hodosh, all of 243 Elmwood Ave., Providence, R.I. 02907

FOREIGN PATENT DOCUMENTS

2544597 10/1984 France 15/176.4

[**] Term: 14 Years

Primary Examiner—Wallace R. Burke
Assistant Examiner—Lavone D. Tabor
Attorney, Agent, or Firm—Salter & Michaelson

[21] Appl. No.: 356,529

[57] CLAIM

[22] Filed: May 23, 1989

[52] U.S. Cl. D4/104

[58] Field of Search D4/100-114,
D4/130, 132, 134, 136, 138, 199; D24/10-11;
D28/64; 15/105-106, 143 R, 159 R, 159 A,
160, 167.1-167.3, 176.1-176.6; 132/308-311

The ornamental design for a toothbrush, as shown and described.

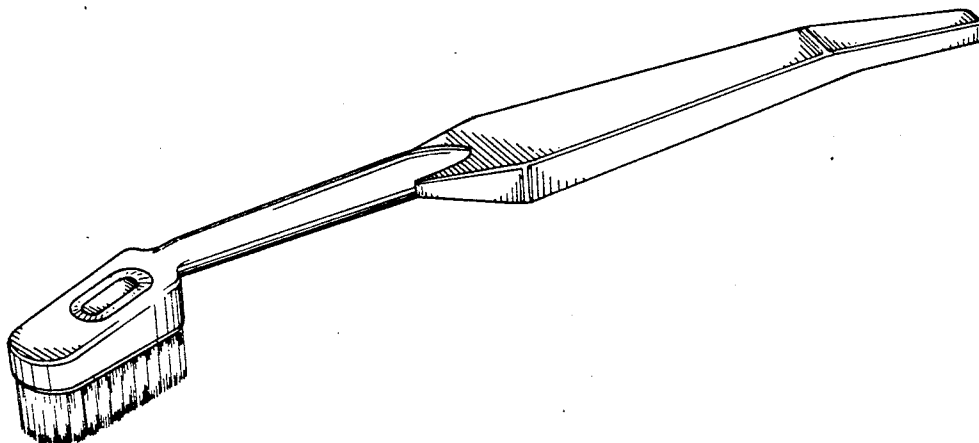
DESCRIPTION

[56] References Cited

U.S. PATENT DOCUMENTS

- D. 118,268 12/1939 Salit D4/104
- D. 141,350 5/1945 Alexander et al. D4/104
- D. 160,101 9/1950 MacDonald D4/104
- D. 192,025 1/1962 Rudnick D4/104
- D. 292,448 10/1987 Vianello D4/104
- D. 309,375 7/1990 Ahlstoem et al. D4/104

FIG. 1 is a perspective view of a toothbrush showing our new design;
FIG. 2 is a top plan view thereof;
FIG. 3 is a side elevational view thereof the opposite side being a mirror image;
FIG. 4 is a bottom plan view thereof;
FIG. 5 is a front elevational view thereof; and
FIG. 6 is a rear elevational view thereof.
The bristles are partially shown in FIGS. 1, 3, 5, and 6 for ease of illustration.



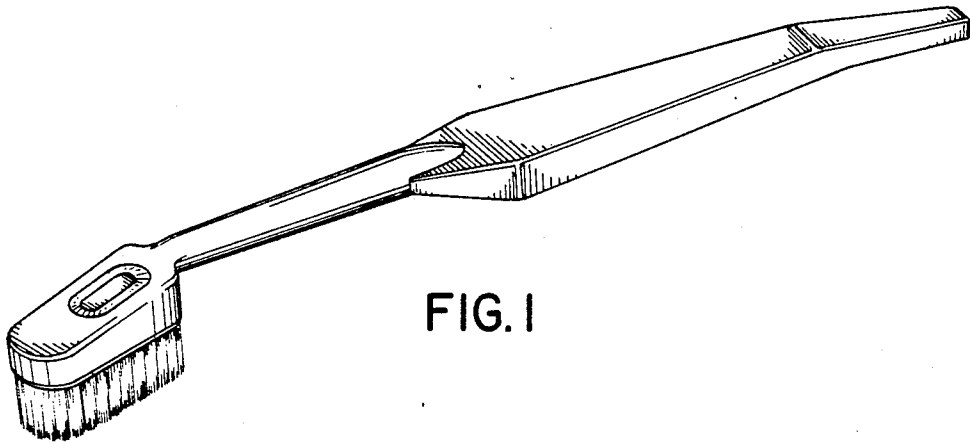


FIG. 1

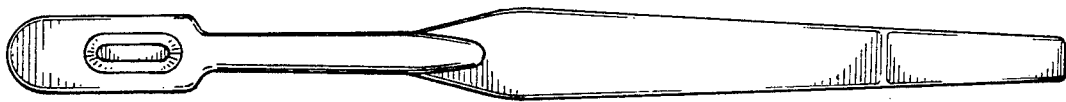


FIG. 2



FIG. 3



FIG. 4

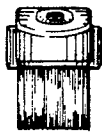


FIG. 5



FIG. 6