

(19) World Intellectual Property Organization
International Bureau



(43) International Publication Date
15 February 2007 (15.02.2007)

PCT

(10) International Publication Number
WO 2007/017817 A3

(51) International Patent Classification:
A61F 13/15 (2006.01)

(21) International Application Number:
PCT/IB2006/052696

(22) International Filing Date: 4 August 2006 (04.08.2006)

(25) Filing Language: English

(26) Publication Language: English

(30) Priority Data:
11/198,614 5 August 2005 (05.08.2005) US

(71) Applicant (for all designated States except US): **THE PROCTER & GAMBLE COMPANY** [US/US]; One Procter & Gamble Plaza, Cincinnati, OH 45202 (US).

(72) Inventors; and

(75) Inventors/Applicants (for US only): **LIU, Kuang-kai** [TH/US]; 11504 Kemperwoods Road, Cincinnati, OH 45249 (US). **LUSSIER, Joseph, David** [US/US]; 7043 Windword Way, Cincinnati, OH 45241 (US). **DAVIS, Mary, Elizabeth** [US/US]; 7125 Wallace Avenue, Cincinnati, OH 45243 (US).

(74) Common Representative: **THE PROCTER & GAMBLE COMPANY**; c/o Eileen L. Hughett, The Procter & Gamble Company, Winton Hill Business Center 6110 Center, Hill Road, Cincinnati, OH 45224 (US).

(81) Designated States (unless otherwise indicated, for every kind of national protection available): AE, AG, AL, AM, AT, AU, AZ, BA, BB, BG, BR, BW, BY, BZ, CA, CH, CN, CO, CR, CU, CZ, DE, DK, DM, DZ, EC, EE, EG, ES, FI, GB, GD, GE, GH, GM, HN, HR, HU, ID, IL, IN, IS, JP, KE, KG, KM, KN, KP, KR, KZ, LA, LC, LK, LR, LS, LT, LU, LV, LY, MA, MD, MG, MK, MN, MW, MX, MZ, NA, NG, NI, NO, NZ, OM, PG, PH, PL, PT, RO, RS, RU, SC, SD, SE, SG, SK, SL, SM, SY, TJ, TM, TN, TR, TT, TZ, UA, UG, US, UZ, VC, VN, ZA, ZM, ZW.

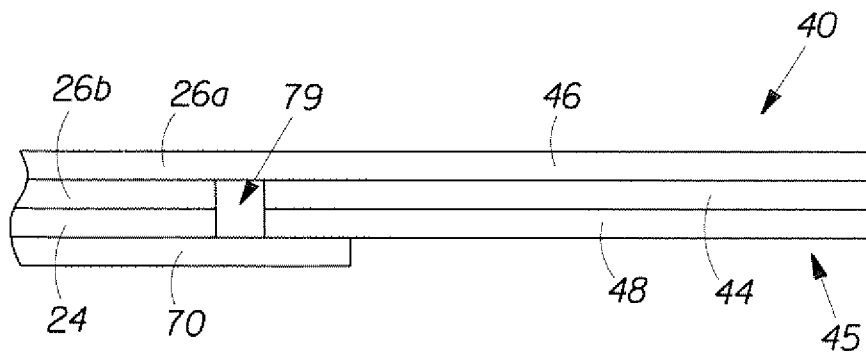
(84) Designated States (unless otherwise indicated, for every kind of regional protection available): ARIPO (BW, GH, GM, KE, LS, MW, MZ, NA, SD, SL, SZ, TZ, UG, ZM, ZW), Eurasian (AM, AZ, BY, KG, KZ, MD, RU, TJ, TM), European (AT, BE, BG, CH, CY, CZ, DE, DK, EE, ES, FI, FR, GB, GR, HU, IE, IS, IT, LT, LU, LV, MC, NL, PL, PT, RO, SE, SI, SK, TR), OAPI (BF, BJ, CF, CG, CI, CM, GA, GN, GQ, GW, ML, MR, NE, SN, TD, TG).

Published:
— with international search report

(88) Date of publication of the international search report:
5 July 2007

For two-letter codes and other abbreviations, refer to the "Guidance Notes on Codes and Abbreviations" appearing at the beginning of each regular issue of the PCT Gazette.

(54) Title: ABSORBENT ARTICLE WITH A MULTIFUNCTIONAL SIDE PANEL



(57) Abstract: An absorbent article may comprise a chassis having a front waist region, a rear waist region, a crotch region between the front waist region and the rear waist region, a pair of longitudinal edges, and a pair of side panels extending between and connecting the front waist region and the rear waist region to form a leg opening. Each side panel may comprise a uniformly colored stretch laminate. The stretch laminate may comprise a colored elastomeric member and a first substrate joined to the elastomeric material. The side panels may be joined by a mechanical bond which may form an informational indicia.



WO 2007/017817 A3

INTERNATIONAL SEARCH REPORT

International application No
PCT/IB2006/052696

A. CLASSIFICATION OF SUBJECT MATTER INV. A61F13/15		
According to International Patent Classification (IPC) or to both national classification and IPC		
B. FIELDS SEARCHED		
Minimum documentation searched (classification system followed by classification symbols) A61F		
Documentation searched other than minimum documentation to the extent that such documents are included in the fields searched		
Electronic data base consulted during the international search (name of data base and, where practical, search terms used) EPO-Internal		
C. DOCUMENTS CONSIDERED TO BE RELEVANT		
Category*	Citation of document, with indication, where appropriate, of the relevant passages	Relevant to claim No.
X	US 2003/028165 A1 (CURRO JOHN J [US] ET AL) 6 February 2003 (2003-02-06) paragraphs [0051] - [0143]; figures 1-6	1-10
X	US 6 719 742 B1 (MCCORMACK ANN LOUISE [US] ET AL) 13 April 2004 (2004-04-13) column 7, line 30 - column 16, line 54; claims 1,13; figures	1-10
X	WO 01/21126 A (PROCTER & GAMBLE [US]) 29 March 2001 (2001-03-29) page 17, paragraph 4 - page 24, paragraph 1; figures	1-10
<input type="checkbox"/> Further documents are listed in the continuation of Box C.		
<input checked="" type="checkbox"/> See patent family annex.		
* Special categories of cited documents :		
A document defining the general state of the art which is not considered to be of particular relevance	*T* later document published after the international filing date or priority date and not in conflict with the application but cited to understand the principle or theory underlying the invention	
E earlier document but published on or after the international filing date	*X* document of particular relevance; the claimed invention cannot be considered novel or cannot be considered to involve an inventive step when the document is taken alone	
L document which may throw doubts on priority claim(s) or which is cited to establish the publication date of another citation or other special reason (as specified)	*Y* document of particular relevance; the claimed invention cannot be considered to involve an inventive step when the document is combined with one or more other such documents, such combination being obvious to a person skilled in the art.	
O document referring to an oral disclosure, use, exhibition or other means	*&* document member of the same patent family	
P document published prior to the international filing date but later than the priority date claimed		
Date of the actual completion of the international search <p align="center">22 March 2007</p>	Date of mailing of the international search report <p align="center">29/03/2007</p>	
Name and mailing address of the ISA/ European Patent Office, P.B. 5818 Patentlaan 2 NL - 2280 HV Rijswijk Tel. (+31-70) 340-2040, Tx. 31 651 epo nl, Fax: (+31-70) 340-3016	Authorized officer <p align="center">Boccignone, Magda</p>	

INTERNATIONAL SEARCH REPORT

Information on patent family members

International application No PCT/IB2006/052696

Patent document cited in search report	A1	Publication date	Patent family member(s)	Publication date
US 2003028165	A1	06-02-2003	NONE	
US 6719742	B1	13-04-2004	BR 9916639 A GB 2364512 A	15-06-2004 30-01-2002
WO 0121126	A	29-03-2001	AU 6719900 A CA 2383133 A1 EP 1229881 A1 JP 2003509163 T US 2002062117 A1 US 2004097896 A1	24-04-2001 29-03-2001 14-08-2002 11-03-2003 23-05-2002 20-05-2004