



US00D559774S

(12) **United States Design Patent**
Kurata

(10) **Patent No.:** **US D559,774 S**

(45) **Date of Patent:** **** Jan. 15, 2008**

- (54) **TIRE FOR AUTOMOBILE**
- (75) Inventor: **Kazuya Kurata**, Hyogo-ken (JP)
- (73) Assignee: **The Goodyear Tire & Rubber Company**, Akron, OH (US)
- (**) Term: **14 Years**
- (21) Appl. No.: **29/269,618**
- (22) Filed: **Dec. 4, 2006**

D482,323 S	*	11/2003	Corbin et al.	D12/584
D500,009 S		12/2004	Okubo	D12/586
D509,787 S		9/2005	Okubo	D12/584
D513,402 S		1/2006	Shirouzu	D12/590

FOREIGN PATENT DOCUMENTS

JP 1194347 1/2004

* cited by examiner

Primary Examiner—Stacia Cadmus

(74) *Attorney, Agent, or Firm*—Richard B. O’Planick

(30) **Foreign Application Priority Data**

Jun. 20, 2006 (JP) 2006-015864

- (51) **LOC (8) Cl.** **12-15**
- (52) **U.S. Cl.** **D12/585**
- (58) **Field of Classification Search** D12/515–518,
D12/547–550, 553, 568, 581–588, 603; 152/209.1,
152/209.8–209.18, 209.25, 455, 209.28
See application file for complete search history.

(56) **References Cited**

U.S. PATENT DOCUMENTS

D368,687 S		4/1996	Hayashi	D12/147
D379,338 S	*	5/1997	Guspodin et al.	D12/585
D384,604 S		10/1997	Ohya	D12/141
D415,984 S	*	11/1999	Allison et al.	D12/584
D423,424 S		4/2000	Ikeda	D12/147
D436,331 S		1/2001	Hanya	D12/147
D451,854 S		12/2001	Hanya	D12/147
D458,212 S	*	6/2002	Guspodin	D12/582
D470,102 S	*	2/2003	Shirouzu	D12/585
D471,861 S		3/2003	Tsubono	D12/585
D473,183 S		4/2003	Hurata	D12/564
D481,991 S	*	11/2003	Graas et al.	D12/585

(57) **CLAIM**

The ornamental design for a tire for automobile, as shown and described.

DESCRIPTION

FIG. 1 is a perspective view of a tire tread showing my new design, it being understood that the pattern repeats uniformly throughout the circumference of the tread;

FIG. 2 is a front elevational view thereof;

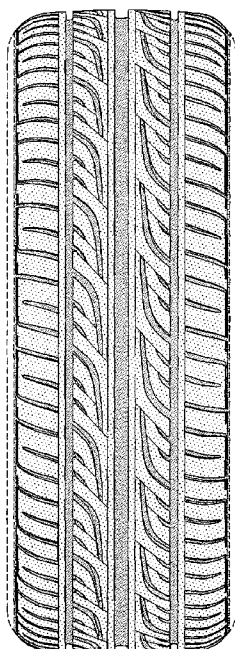
FIG. 3 is a right side elevational view thereof; the opposite side elevational view being identical thereto; and,

FIG. 4 is an enlarged fragmentary front elevational view thereof.

In the drawings, the broken lines defining the sidewall, inner bead and the peripheral boundary between the tire tread and the sidewall are for illustrative purposes only and form no part of the claimed design.

The dark stippled surface shading represents the recessed portion of the tread grooves having a depth as best shown in FIG. 2.

1 Claim, 4 Drawing Sheets



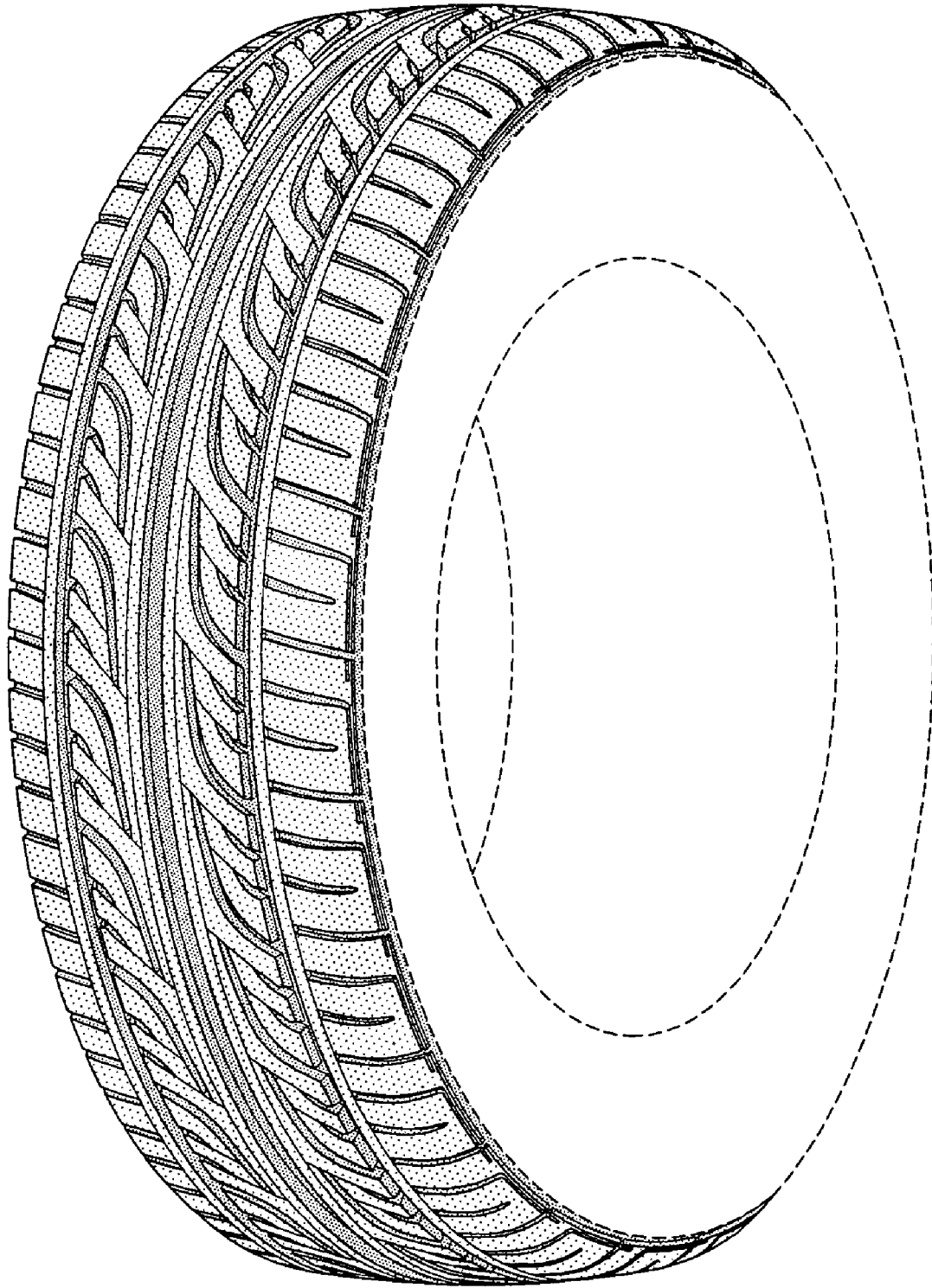


FIG-1

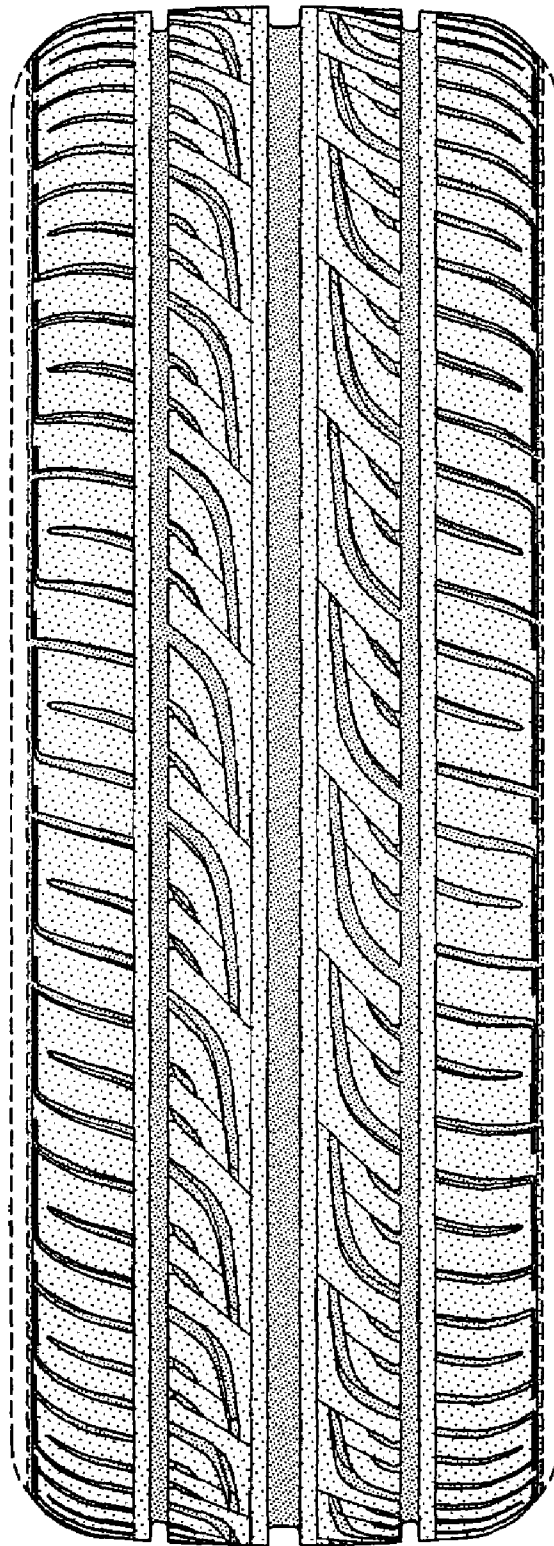


FIG-2

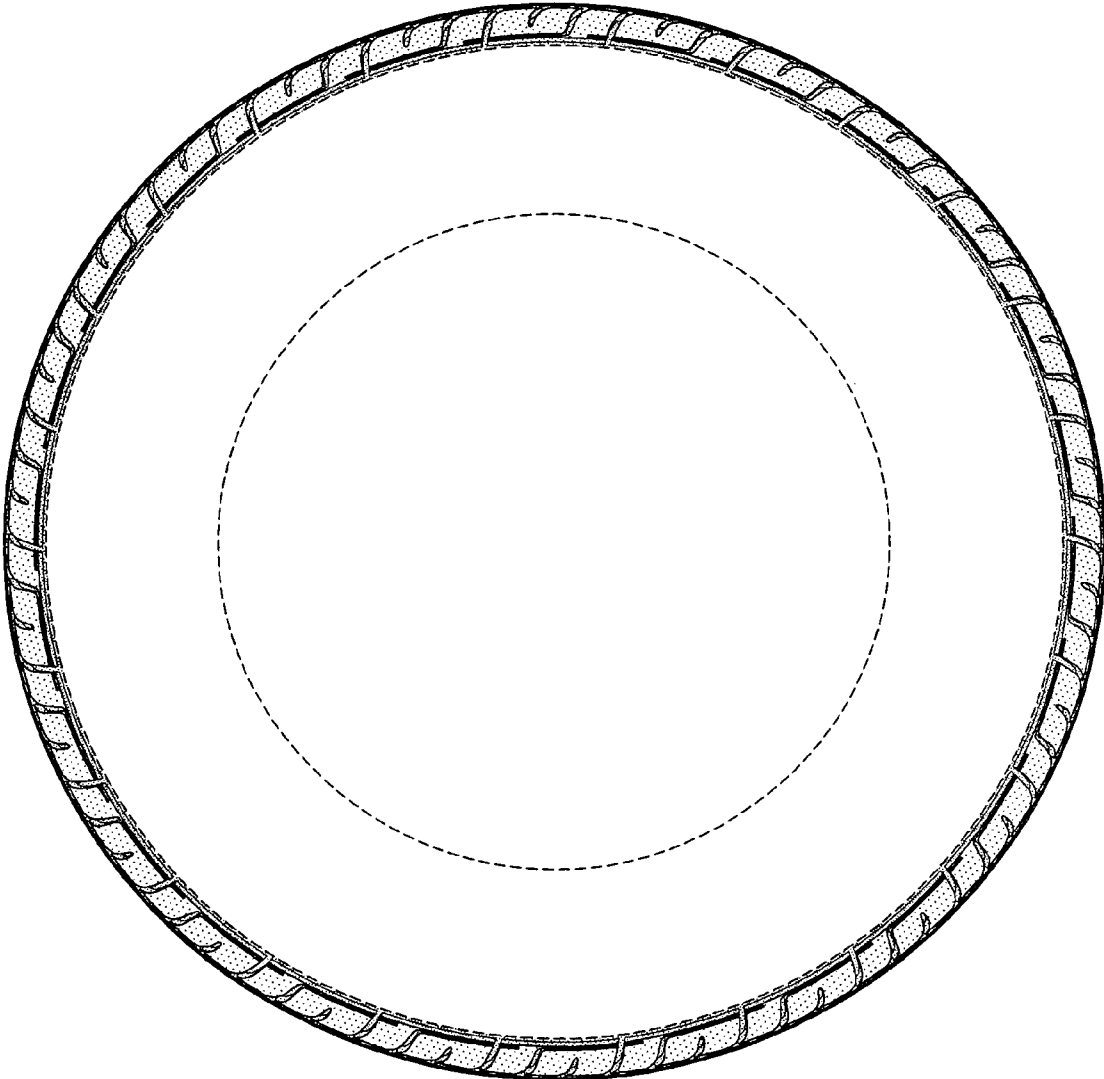


FIG-3

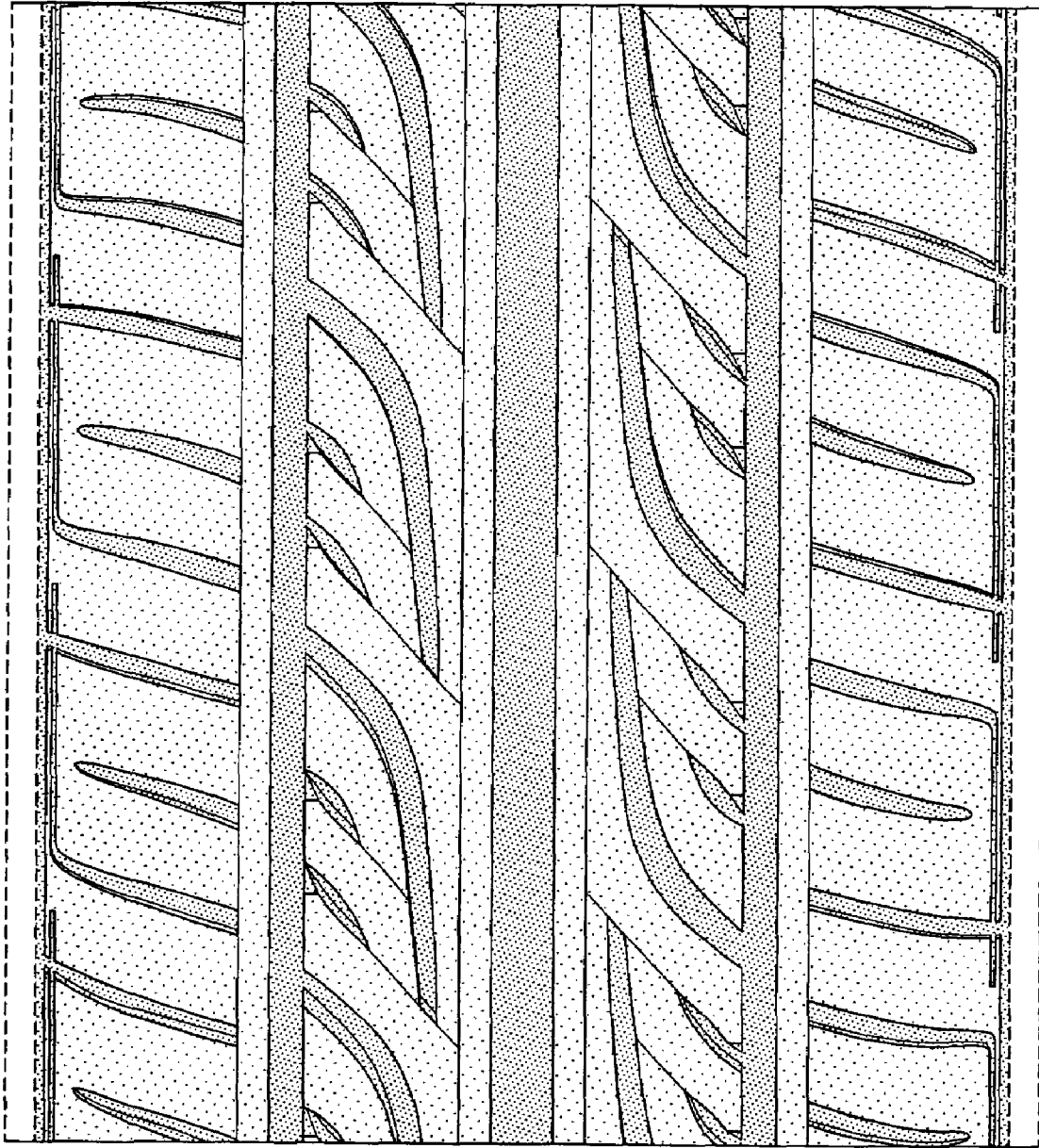


FIG-4