

(19) World Intellectual Property Organization
International Bureau



(43) International Publication Date
8 August 2002 (08.08.2002)

PCT

(10) International Publication Number
WO 02/061834 A3

(51) International Patent Classification⁷: H01L 23/498, 21/60

(21) International Application Number: PCT/JP01/11657

(22) International Filing Date:
28 December 2001 (28.12.2001)

(25) Filing Language: English

(26) Publication Language: English

(30) Priority Data:
2001-022148 30 January 2001 (30.01.2001) JP
2001-281918 17 September 2001 (17.09.2001) JP

(71) Applicant (for all designated States except US): MURATA MANUFACTURING CO., LTD. [JP/JP]; 26-10, Tenjin 2-chome, Nagaokakyo-shi, Kyoto 617-8555 (JP).

(72) Inventors; and

(75) Inventors/Applicants (for US only): SHIMOE,

Kazunobu [JP/JP]; c/o Intellectual Property Group, Murata Manufacturing Co., Ltd., 26-10, Tenjin 2-chome, Nagaokakyo-shi, Kyoto 617-8555 (JP). TAKEDA, Mitsuo [JP/JP]; c/o Intellectual Property Group, Murata Manufacturing Co., Ltd., 26-10, Tenjin 2-chome, Nagaokakyo-shi, Kyoto 617-8555 (JP). TAKATA, Toshiaki [JP/JP]; c/o Intellectual Property Group, Murata Manufacturing Co., Ltd., 26-10, Tenjin 2-chome, Nagaokakyo-shi, Kyoto 617-8555 (JP). TAKADA, Norihiko [JP/JP]; c/o Intellectual Property Group, Murata Manufacturing Co., Ltd., 26-10, Tenjin 2-chome, Nagaokakyo-shi, Kyoto 617-8555 (JP).

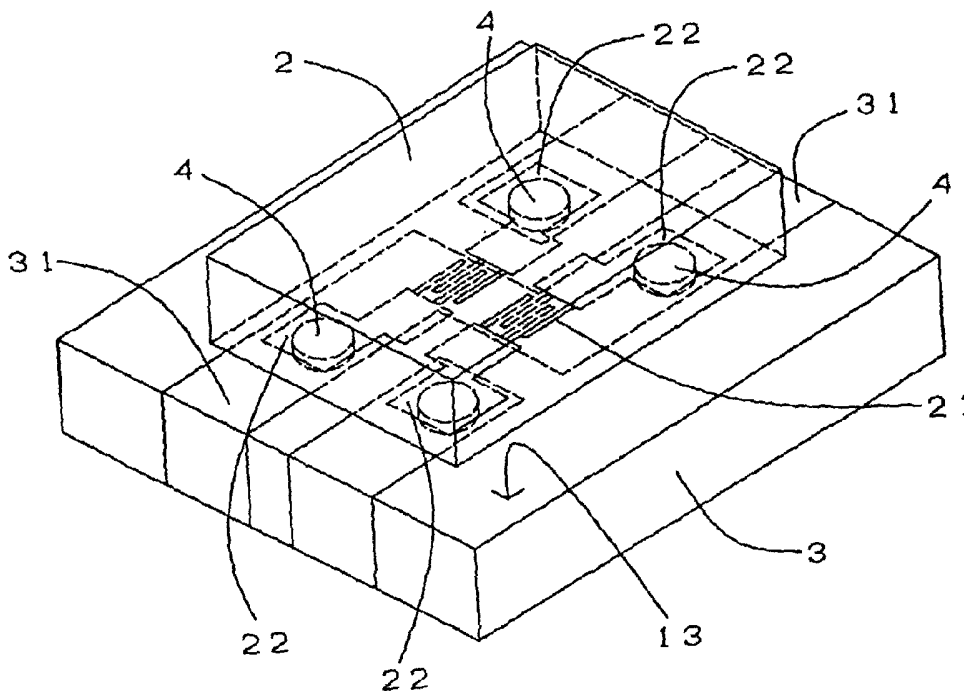
(74) Common Representative: MURATA MANUFACTURING CO., LTD.; Patent Section, Intellectual Property Group, 26-10, Tenjin 2-chome, Nagaokakyo-shi, Kyoto 617-8555 (JP).

(81) Designated States (national): CN, KR, US.

(84) Designated States (regional): European patent (AT, BE, CH, CY, DE, DK, ES, FI, FR, GB, GR, IE, IT, LU, MC, NL, PT, SE, TR).

[Continued on next page]

(54) Title: ELECTRONIC PART



(57) Abstract: An electronic part is provided (1) containing an electronic element (2) and a substrate (3) to which the electronic element (2) is mounted, the electronic element (2) and the substrate (3) being electrically or mechanically connected to each other by means of at least three bumps (4). Both the value obtained by dividing the total bonding-area of the bumps (4) bonded to the electronic element (2) by the mass of the electronic element (2) and the value obtained by dividing the total bonding-area of the bumps (4) bonded to the substrate (3) by the mass of the electronic element (2) are at least 8.8 mm²/g.



WO 02/061834 A3



Published:

— *with international search report*

For two-letter codes and other abbreviations, refer to the "Guidance Notes on Codes and Abbreviations" appearing at the beginning of each regular issue of the PCT Gazette.

(88) Date of publication of the international search report:

12 June 2003

INTERNATIONAL SEARCH REPORT

International application No
PCT/JP 01/11657

A. CLASSIFICATION OF SUBJECT MATTER
IPC 7 H01L23/498 H01L21/60

According to International Patent Classification (IPC) or to both national classification and IPC

B. FIELDS SEARCHED

Minimum documentation searched (classification system followed by classification symbols)

IPC 7 H01L

Documentation searched other than minimum documentation to the extent that such documents are included in the fields searched

Electronic data base consulted during the international search (name of data base and, where practical, search terms used)

EPO-Internal

C. DOCUMENTS CONSIDERED TO BE RELEVANT

Category *	Citation of document, with indication, where appropriate, of the relevant passages	Relevant to claim No.
Y	US 5 148 266 A (KHANDROS IGOR Y ET AL) 15 September 1992 (1992-09-15) column 11, line 67 -column 12, line 38; figure 2	1-4
Y	US 5 261 593 A (CASSON KEITH L ET AL) 16 November 1993 (1993-11-16) claim 14	1-4
Y	DE 195 25 388 A (MITSUBISHI ELECTRIC CORP) 25 January 1996 (1996-01-25)	1-4
A	page 5, line 12 - line 27; example 3 -/--	5

Further documents are listed in the continuation of box C.

Patent family members are listed in annex.

* Special categories of cited documents :

A document defining the general state of the art which is not considered to be of particular relevance

E earlier document but published on or after the international filing date

L document which may throw doubts on priority claim(s) or which is cited to establish the publication date of another citation or other special reason (as specified)

O document referring to an oral disclosure, use, exhibition or other means

P document published prior to the international filing date but later than the priority date claimed

T later document published after the international filing date or priority date and not in conflict with the application but cited to understand the principle or theory underlying the invention

X document of particular relevance; the claimed invention cannot be considered novel or cannot be considered to involve an inventive step when the document is taken alone

Y document of particular relevance; the claimed invention cannot be considered to involve an inventive step when the document is combined with one or more other such documents, such combination being obvious to a person skilled in the art.

G document member of the same patent family

Date of the actual completion of the international search

28 January 2003

Date of mailing of the international search report

04/02/2003

Name and mailing address of the ISA

European Patent Office, P.B. 5818 Patentlaan 2
NL - 2280 HV Rijswijk
Tel. (+31-70) 340-2040, Tx. 31 651 epo nl,
Fax: (+31-70) 340-3016

Authorized officer

Prohaska, G

INTERNATIONAL SEARCH REPORT

International Application No

PCT/JP 01/11657

C.(Continuation) DOCUMENTS CONSIDERED TO BE RELEVANT

Category *	Citation of document, with indication, where appropriate, of the relevant passages	Relevant to claim No.
P, X	US 6 222 277 B1 (DOWNES STUART) 24 April 2001 (2001-04-24) column 3, line 12 - line 20 column 3, line 55 - line 62 column 6, line 16 - line 26 column 8, line 14 - line 31; claims 1,5,8 -----	1-5

INTERNATIONAL SEARCH REPORT

Information on patent family members

International application No
PCT/JP 01/11657

Patent document cited in search report		Publication date	Patent family member(s)	Publication date
US 5148266	A	15-09-1992	AT 211305 T	15-01-2002
			AU 8731291 A	15-04-1992
			CA 2091438 A1	25-03-1992
			DE 69132880 D1	31-01-2002
			DE 69132880 T2	12-09-2002
			DK 551382 T3	15-04-2002
			EP 1111672 A2	27-06-2001
			EP 0551382 A1	21-07-1993
			ES 2167313 T3	16-05-2002
			JP 2924923 B2	26-07-1999
			JP 6504408 T	19-05-1994
			KR 9705709 B1	19-04-1997
			US 5258330 A	02-11-1993
			US 5679977 A	21-10-1997
			WO 9205582 A1	02-04-1992
			US 5852326 A	22-12-1998
			US 6392306 B1	21-05-2002
			US 2002155728 A1	24-10-2002
			US 5685885 A	11-11-1997
			US 6372527 B1	16-04-2002
			US 5682061 A	28-10-1997
			US 2002011663 A1	31-01-2002
			US 5148265 A	15-09-1992
			US 6465893 B1	15-10-2002
			US 5347159 A	13-09-1994
			US 2001030370 A1	18-10-2001
			US 5848467 A	15-12-1998
			US 5950304 A	14-09-1999
			US 5346861 A	13-09-1994
			US 6133627 A	17-10-2000
US 5261593	A	16-11-1993	US 5349500 A	20-09-1994
DE 19525388	A	25-01-1996	JP 8031864 A	02-02-1996
			DE 19525388 A1	25-01-1996
			US 6087201 A	11-07-2000
			US 6181009 B1	30-01-2001
			US 6133069 A	17-10-2000
			US 6268647 B1	31-07-2001
			US 5900671 A	04-05-1999
			US 6310395 B1	30-10-2001
US 6222277	B1	24-04-2001	NONE	