



US00D330693S

United States Patent [19]

[11] Patent Number: Des. 330,693

Watanabe et al.

[45] Date of Patent: ** Nov. 3, 1992

[54] BATTERY UNIT FOR A PORTABLE RADIO TELEPHONE

[75] Inventors: Katsuhito Watanabe; Naoko Seki; Eriko Ino, all of Tokyo, Japan

[73] Assignee: Oki Electric Industry Co., Ltd., Tokyo, Japan

[**] Term: 14 Years

[21] Appl. No.: 678,149

[22] Filed: Apr. 2, 1991

[52] U.S. Cl. D13/103

[58] Field of Search D13/103; D14/137, 138; 379/99, 428, 433; 429/99

[56] References Cited

U.S. PATENT DOCUMENTS

| | | | | |
|------------|--------|-----------------|-------|-----------|
| D. 289,156 | 4/1987 | Pulio | | D14/138 |
| D. 305,652 | 1/1990 | Tejima | | D14/138 |
| D. 306,594 | 3/1990 | Taylor | | D14/138 X |
| 4,532,194 | 7/1985 | Liautaud et al. | | 429/99 |

OTHER PUBLICATIONS

- Catalogue "TP500" of Panasonic Communications & Systems Company.
- Catalogue "DiamondTel" of Mitsubishi Electronics Co., Ltd.
- Catalogue "Your travel communicator" of Motorola, Inc.

Catalogue "There's Brains Behind This Beauty" of Antel Communications Corp.

Primary Examiner—Wallace R. Burke
Assistant Examiner—Joel Sincavage
Attorney, Agent, or Firm—Wenderoth, Lind & Ponack

[57] CLAIM

The ornamental design for a battery unit for a portable radiotelephone, as shown and described.

DESCRIPTION

FIG. 1 is a front and upper left perspective view of a battery unit for a portable radiotelephone showing our new design;

FIG. 2 is a front elevational view thereof;

FIG. 3 is a rear elevational view thereof. The broken line showing is included for the purpose of illustrating environmental elements only and forms no part of the claimed design;

FIG. 4 is a right side elevational view thereof, the left side elevational view thereof being a mirror image;

FIG. 5 is a top plan view thereof;

FIG. 6 is a bottom plan view thereof;

FIG. 7 is a cross-sectional view taken along line 7—7 of FIG. 5;

FIG. 8 is a cross-sectional view thereof taken along line 8—8 of FIG. 5; and,

FIG. 9 is a front and upper left perspective view thereof shown on a reduced scale. The broken line showing of the radiotelephone is included for the purpose of illustrating environmental elements only and forms no part of the claimed design.

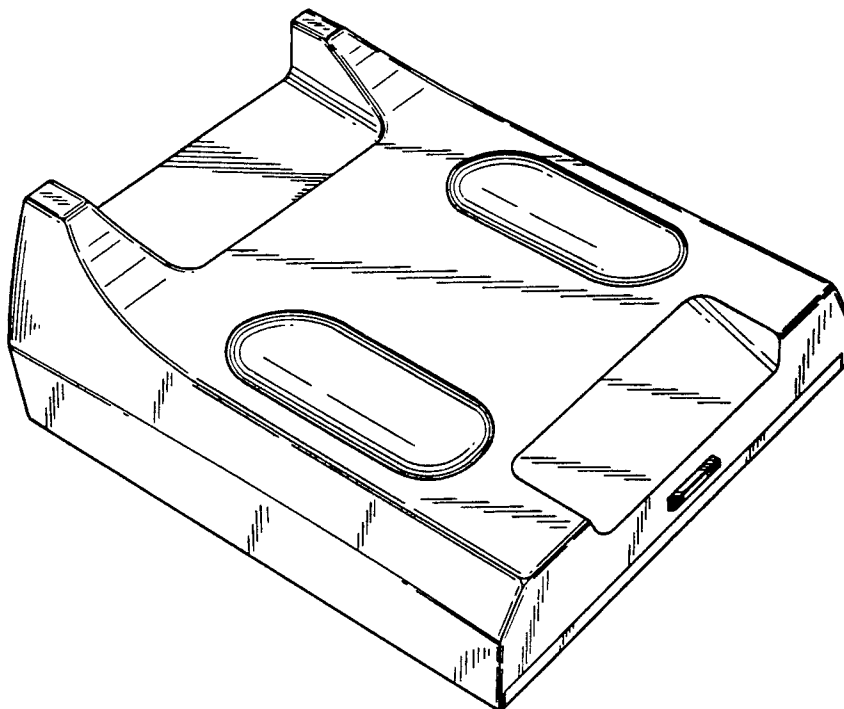


Fig. 1

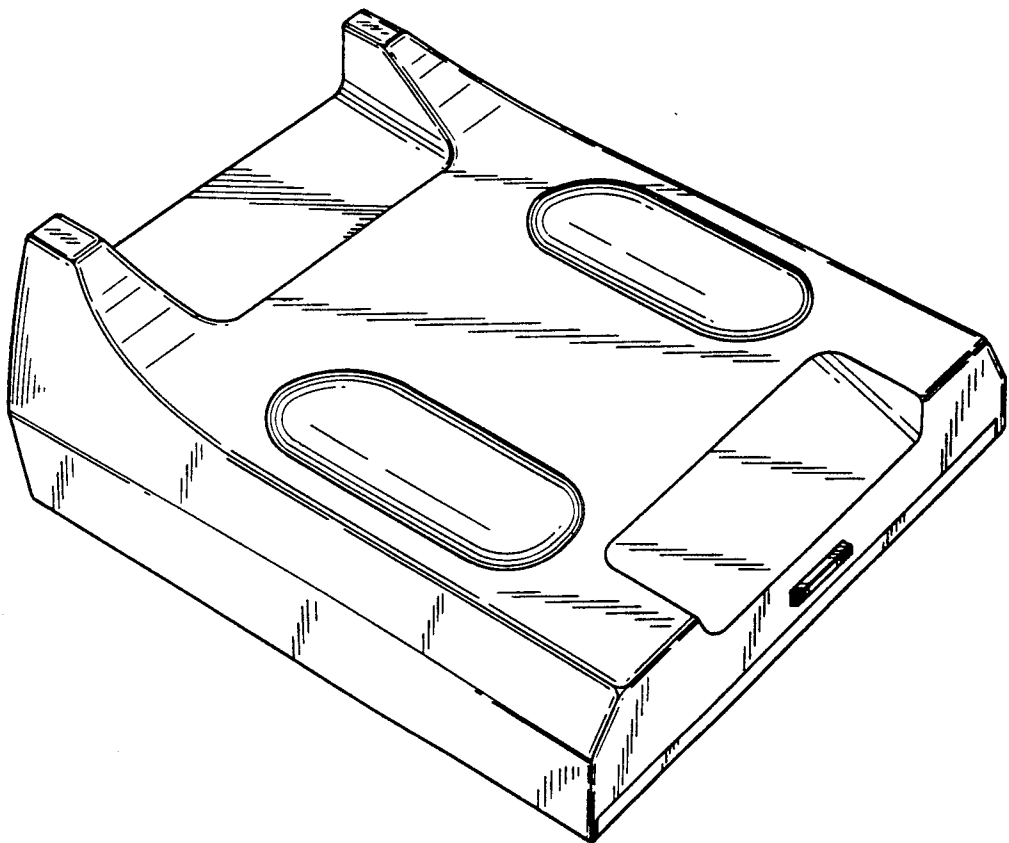


Fig. 2

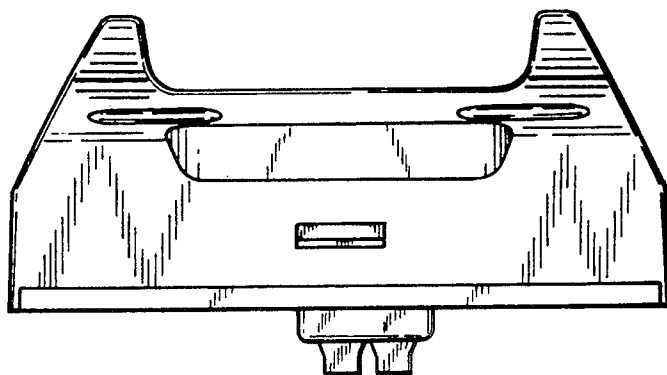


Fig. 3

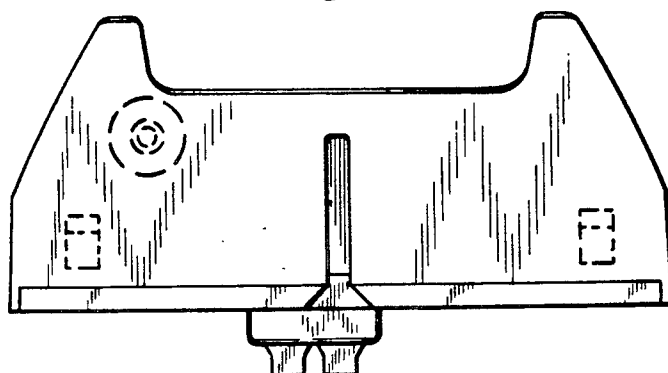


Fig. 4

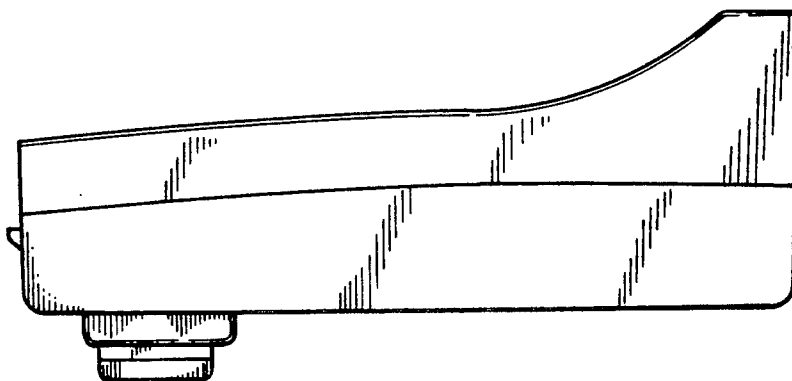


Fig. 5

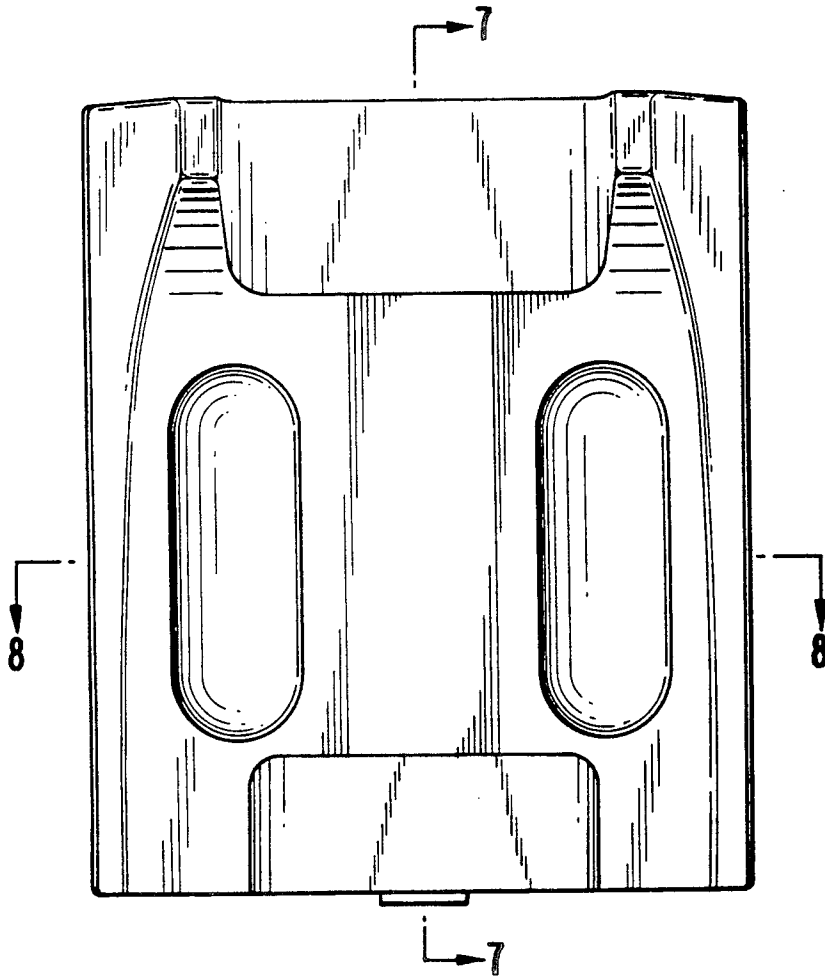


Fig. 6

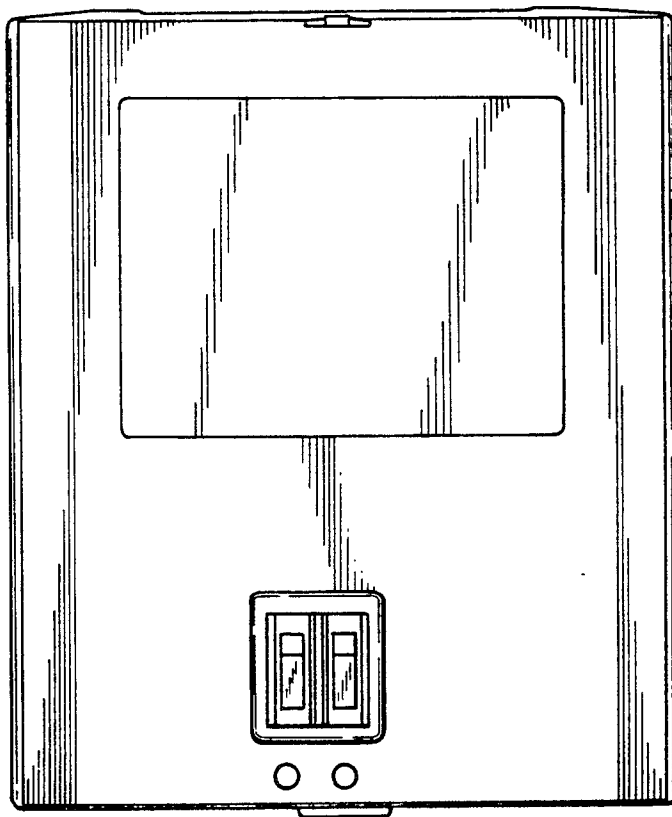


Fig. 7

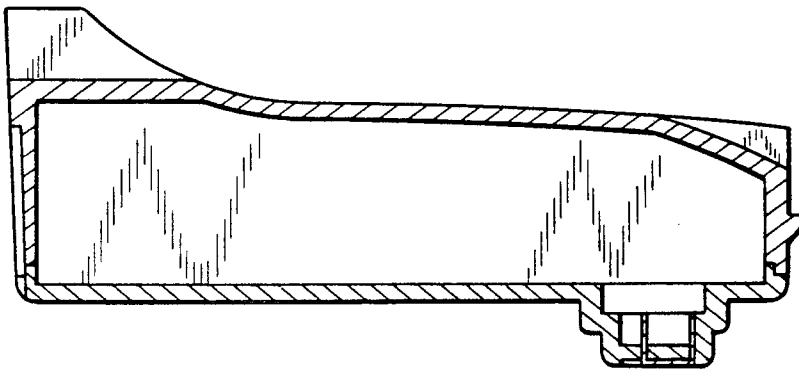


Fig. 8

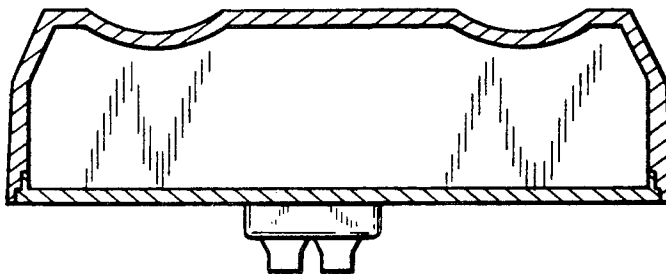


Fig. 9

