

(19) World Intellectual Property Organization
International Bureau



(43) International Publication Date
23 July 2009 (23.07.2009)

PCT

(10) International Publication Number
WO 2009/091349 A3

- (51) International Patent Classification:
G01R 31/36 (2006.01) H02J 7/00 (2006.01)
- (21) International Application Number:
PCT/US2007/023133
- (22) International Filing Date:
2 November 2007 (02.11.2007)
- (25) Filing Language: English
- (26) Publication Language: English
- (30) Priority Data:
60/907,423 2 April 2007 (02.04.2007) US
- (71) Applicant (for all designated States except US): LIN-
EAR TECHNOLOGY CORPORATION [US/US];
1630 Mccarthy Boulevard, Milpitas, CA 95035-7417
(US).
- (72) Inventor; and
- (75) Inventor/Applicant (for US only): BRISEBOIS, Glen,
James [US/US]; 1825 Mayall Court, San Jose, CA 95132
(US).
- (74) Agent: BECKER, Stephen, A.; Mcdermott Will &
Emery LLP, 600 13th Street, Nw., Washington, DC
20005-3096 (US).

- (81) Designated States (unless otherwise indicated, for every
kind of national protection available): AE, AG, AL, AM,
AT, AU, AZ, BA, BB, BG, BH, BR, BW, BY, BZ, CA,
CH, CN, CO, CR, CU, CZ, DE, DK, DM, DO, DZ, EC,
EE, EG, ES, FI, GB, GD, GE, GH, GM, GT, HN, HR,
HU, ID, IL, IN, IS, JP, KE, KG, KM, KN, KP, KR, KZ,
LA, LC, LK, LR, LS, LT, LU, LY, MA, MD, ME, MG,
MK, MN, MW, MX, MY, MZ, NA, NG, NI, NO, NZ,
OM, PG, PH, PL, PT, RO, RS, RU, SC, SD, SE, SG, SK,
SL, SM, SV, SY, TJ, TM, TN, TR, TT, TZ, UA, UG, US,
UZ, VC, VN, ZA, ZM, ZW.
- (84) Designated States (unless otherwise indicated, for every
kind of regional protection available): ARIPO (BW, GH,
GM, KE, LS, MW, MZ, NA, SD, SL, SZ, TZ, UG, ZM,
ZW), Eurasian (AM, AZ, BY, KG, KZ, MD, RU, TJ,
TM), European (AT, BE, BG, CH, CY, CZ, DE, DK, EE,
ES, FI, FR, GB, GR, HU, IE, IS, IT, LT, LU, LV, MC,
MT, NL, PL, PT, RO, SE, SI, SK, TR), OAPI (BF, BJ,
CF, CG, CI, CM, GA, GN, GQ, GW, ML, MR, NE, SN,
TD, TG).

Published:

- with international search report (Art. 21(3))
- before the expiration of the time limit for amending the
claims and to be republished in the event of receipt of
amendments (Rule 48.2(h))

[Continued on next page]

(54) Title: MONITORING CELLS IN ENERGY STORAGE SYSTEM

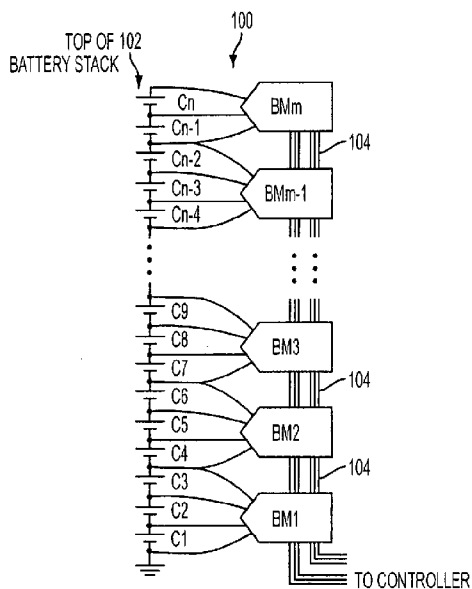


FIG. 2

(57) Abstract: A system for monitoring an energy storage system composed of multiple cells connected in series has a chain of monitors including at least first and second monitors. The first monitor is configured for monitoring at least a first cell in the energy storage system to produce first monitored data. The second monitor is configured for monitoring at least a second cell in the energy storage system to produce second monitored data. The first monitor is further configured for transferring the first monitored data to the second monitor for delivery to a controller.

WO 2009/091349 A3

(88) Date of publication of the international search report:
12 November 2009

INTERNATIONAL SEARCH REPORT

International application No
PCT/US2007/023133

A. CLASSIFICATION OF SUBJECT MATTER INV. G01R31/36 H02J7/00		
According to International Patent Classification (IPC) or to both national classification and IPC		
B. FIELDS SEARCHED Minimum documentation searched (classification system followed by classification symbols) G01R H02J		
Documentation searched other than minimum documentation to the extent that such documents are included in the fields searched		
Electronic data base consulted during the international search (name of data base and, where practical, search terms used) EPO-Internal		
C. DOCUMENTS CONSIDERED TO BE RELEVANT		
Category*	Citation of document, with indication, where appropriate, of the relevant passages	Relevant to claim No.
X	EP 1 067 393 A (ALCATEL) 10 January 2001 (2001-01-10) paragraphs [0003], [0019]; figures 1,25	1,2, 4-10, 13-19
X	US 5 652 498 A (EDYE ET AL) 29 July 1997 (1997-07-29) column 2, line 34 - column 3, line 41; figures 1,3	1,3-20
X	US 6 404 166 B1 (PUCHIANU) 11 June 2002 (2002-06-11) column 2, lines 29-67 column 4, line 39 - column 5, line 24 column 8, lines 34,35; figures 1,3	1,4-10, 13-19
<input type="checkbox"/> Further documents are listed in the continuation of Box C. <input checked="" type="checkbox"/> See patent family annex.		
* Special categories of cited documents :		
A document defining the general state of the art which is not considered to be of particular relevance *E* earlier document but published on or after the international filing date *L* document which may throw doubts on priority claim(s) or which is cited to establish the publication date of another citation or other special reason (as specified) *O* document referring to an oral disclosure, use, exhibition or other means *P* document published prior to the international filing date but later than the priority date claimed *T* later document published after the international filing date or priority date and not in conflict with the application but cited to understand the principle or theory underlying the invention *X* document of particular relevance; the claimed invention cannot be considered novel or cannot be considered to involve an inventive step when the document is taken alone *Y* document of particular relevance; the claimed invention cannot be considered to involve an inventive step when the document is combined with one or more other such documents, such combination being obvious to a person skilled in the art. *&* document member of the same patent family		
Date of the actual completion of the international search 14 September 2009		Date of mailing of the international search report 23/09/2009
Name and mailing address of the ISA/ European Patent Office, P.B. 5818 Patentlaan 2 NL - 2280 HV Rijswijk Tel. (+31-70) 340-2040, Fax: (+31-70) 340-3016		Authorized officer Iwansson, Kaj

INTERNATIONAL SEARCH REPORT

Information on patent family members

International application No

PCT/US2007/023133

Patent document cited in search report		Publication date		Patent family member(s)	Publication date
EP 1067393	A	10-01-2001	JP	2001085067 A	30-03-2001
			US	6411912 B1	25-06-2002
US 5652498	A	29-07-1997	DE	19503917 A1	08-08-1996
			EP	0726472 A2	14-08-1996
			JP	2805605 B2	30-09-1998
			JP	8265903 A	11-10-1996
US 6404166	B1	11-06-2002	NONE		