



US00D813806S

(12) **United States Design Patent** (10) **Patent No.:** **US D813,806 S**  
**Ito et al.** (45) **Date of Patent:** **\*\* Mar. 27, 2018**

(54) **CHARGER**

(71) Applicant: **OMRON HEALTHCARE Co., Ltd.**,  
Muko-shi, Kyoto (JP)  
(72) Inventors: **Tamaki Ito**, Muko (JP); **Tsuyoshi Ogihara**, Muko (JP); **Takashi Shigeno**, Tokyo (JP); **Kazuya Andachi**, Tokyo (JP)  
(73) Assignee: **OMRON HEALTHCARE Co., Ltd.** (JP)  
(\*\*) Term: **15 Years**

(21) Appl. No.: **29/596,926**

(22) Filed: **Mar. 13, 2017**

(30) **Foreign Application Priority Data**

Nov. 28, 2016 (JP) ..... 2016-025738

(51) **LOC (11) Cl.** ..... **13-02**

(52) **U.S. Cl.**  
USPC ..... **D13/108**

(58) **Field of Classification Search**

USPC ..... D13/107-110, 118-119, 184, 199;  
D14/251, 253, 432, 434  
CPC ..... Y02E 60/12; Y02T 90/14; Y02T 90/122;  
Y02T 90/128; Y02T 90/163; H02J 7/025;  
H02J 7/0042; H02J 7/0044; H02J 7/0045;  
H02J 7/0003; H01F 38/14; H01R  
13/6675; H01M 2/1022; H01M 2/1055;  
H01M 10/44; H01M 10/46; H01M  
10/425; B60L 11/182

See application file for complete search history.

(56) **References Cited**

U.S. PATENT DOCUMENTS

D278,426	S	*	4/1985	Lanci	.....	D13/107
D397,084	S	*	8/1998	Siddoway	.....	D13/107
D462,657	S	*	9/2002	Kaneko	.....	D13/107
D526,995	S	*	8/2006	Claxton	.....	D13/108
D551,163	S	*	9/2007	Hamasaki	.....	D13/107
D562,230	S	*	2/2008	Houghton	.....	D13/107
D609,637	S	*	2/2010	Chu	.....	D13/108
D609,638	S	*	2/2010	Biheller	.....	D13/108
D629,355	S	*	12/2010	Bodley	.....	D13/108
D656,459	S	*	3/2012	Crawley	.....	D13/108
D657,311	S	*	4/2012	Chan	.....	D13/118
D689,231	S	*	9/2013	Crawford	.....	D13/108
D731,967	S	*	6/2015	Tuhkanen	.....	D13/108

\* cited by examiner

*Primary Examiner* — Rosemary K Tarcza

(74) *Attorney, Agent, or Firm* — Saidman DesignLaw Group, LLC

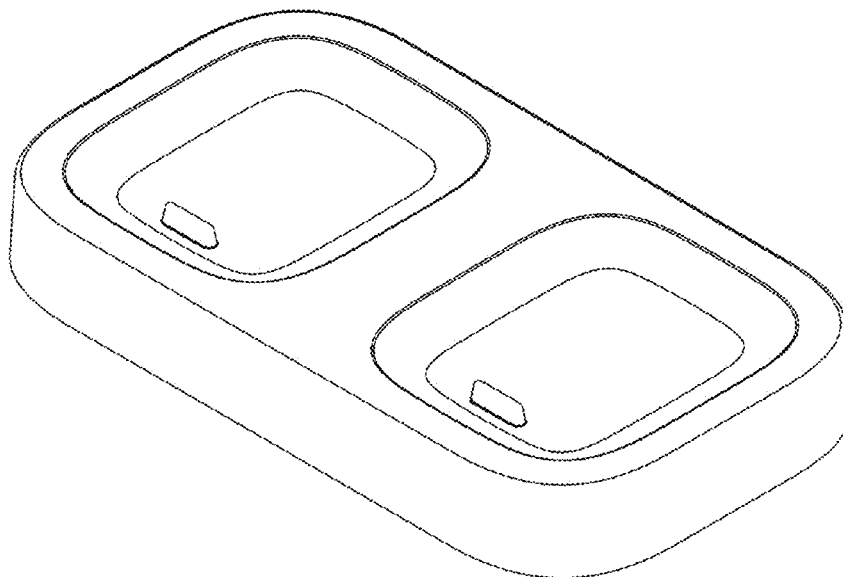
(57) **CLAIM**

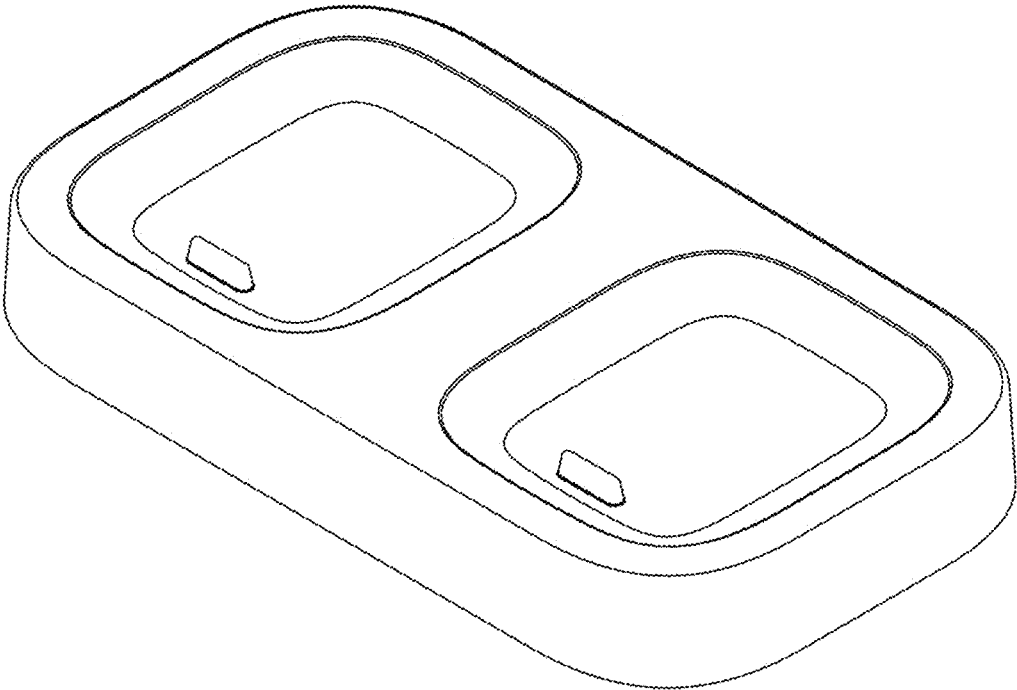
The ornamental design for a charger, as shown and described.

**DESCRIPTION**

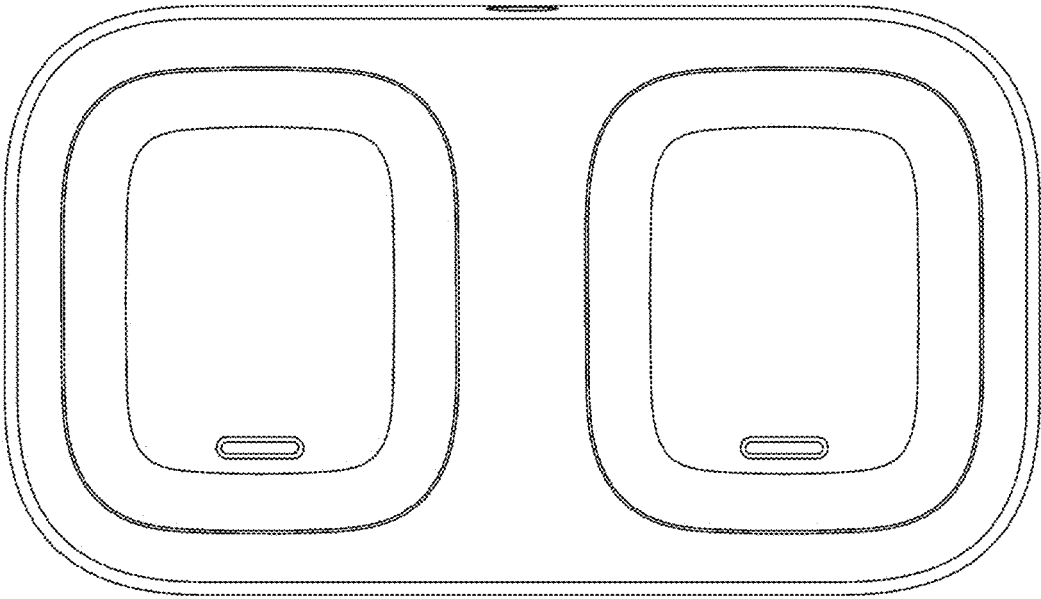
FIG. 1 is a perspective view of a charger showing our new design;  
FIG. 2 is a front view thereof;  
FIG. 3 is a rear view thereof;  
FIG. 4 is a top view thereof;  
FIG. 5 is a bottom view thereof;  
FIG. 6 is a left side view thereof; and,  
FIG. 7 is a right side view thereof.

**1 Claim, 5 Drawing Sheets**

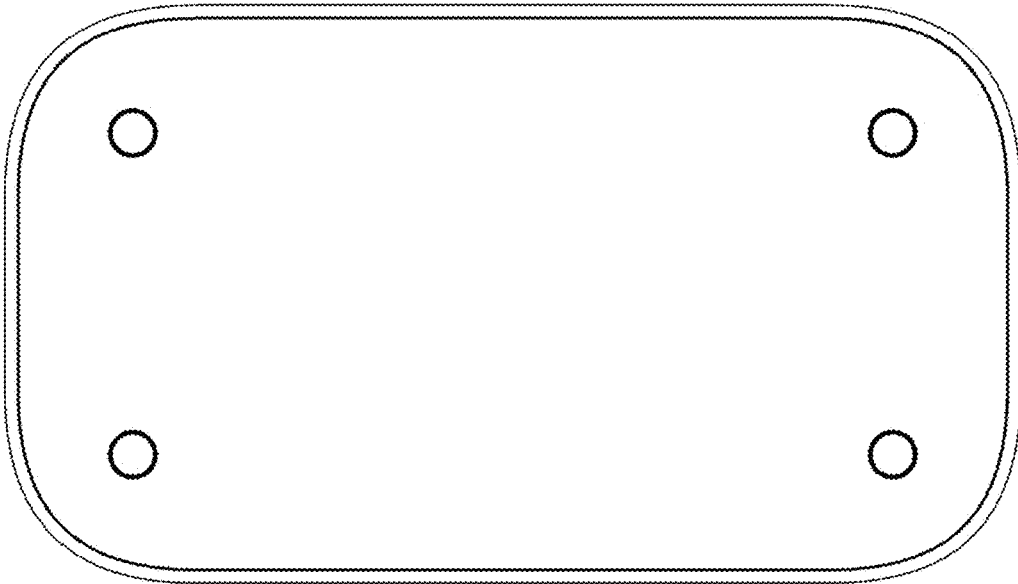




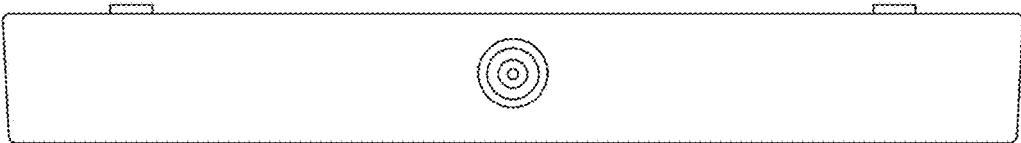
**FIG. 1**



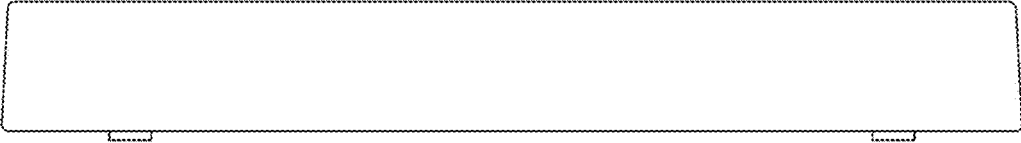
**FIG. 2**



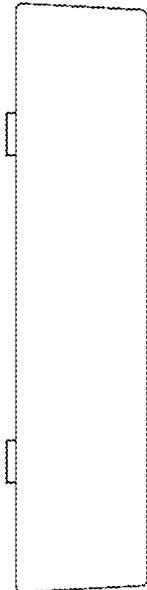
**FIG. 3**



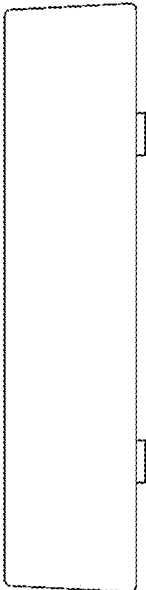
**FIG. 4**



**FIG. 5**



**FIG. 6**



**FIG. 7**