



US0D1062089S

(12) **United States Design Patent**
Huang

(10) **Patent No.:** **US D1,062,089 S**

(45) **Date of Patent:** **** Feb. 11, 2025**

(54) **SOFA FOR PETS**

FOREIGN PATENT DOCUMENTS

(71) Applicant: **Anji Chenlin Furniture Co., Ltd.**,
Huzhou (CN)

CN	307751398	* 12/2022
CN	307908375	* 3/2023
CN	308562388	* 4/2024

(72) Inventor: **Lin Huang**, Zhejiang (CN)

(**) Term: **15 Years**

(21) Appl. No.: **35/519,691**

(22) Filed: **Aug. 1, 2023**

(80) **Hague Agreement Data**

Int. Filing Date: **Aug. 1, 2023**
 Int. Reg. No.: **DM/232272**
 Int. Reg. Date: **Aug. 1, 2023**
 Int. Reg. Pub. Date: **Jan. 19, 2024**

(51) **LOC (15) Cl.** **30-06**

(52) **U.S. Cl.**
USPC **D30/118**

(58) **Field of Classification Search**

USPC D3/232; D6/595, 596, 601, 605, 611;
 D30/108–109, 112, 117–119, 161
 CPC .. A01K 1/0236; A01K 1/0245; A01K 1/0254;
 A01K 1/0272; A01K 1/0353; B60N
 2/6009; B60N 2/6018
 See application file for complete search history.

(56) **References Cited**

U.S. PATENT DOCUMENTS

D208,920	S	*	10/1967	Dvore	D30/118
3,989,008	A	*	11/1976	Neumann	A01K 1/0353 119/482
D638,996	S	*	5/2011	Zine	D30/118
D677,014	S	*	2/2013	Duvigneau	D30/118
D685,531	S	*	7/2013	Wozniak	D30/118
9,220,235	B2	*	12/2015	Richardson	A01K 1/0353
D929,667	S	*	8/2021	Silber	D30/118
D986,511	S	*	5/2023	Huang	D30/118
D1,002,117	S	*	10/2023	Xiao	D30/118
D1,019,007	S	*	3/2024	Li	D30/118
D1,023,482	S	*	4/2024	Wang	D30/118

OTHER PUBLICATIONS

Dog Bed for Medium Dogs Unique Design, available in Amazon.com, date first available Sep. 31, 2023 [online], [site visited Jul. 26, 2024], Available from the internet URL: <https://www.amazon.com/-/es/Cama-perros-medianos-dise%F1o-%FAnico/dp/B0CHF2J1X> (Year: 2023).*

(Continued)

Primary Examiner — Vy N Koenig
Assistant Examiner — Elizabeth Anne Glassberg

(57) **CLAIM**

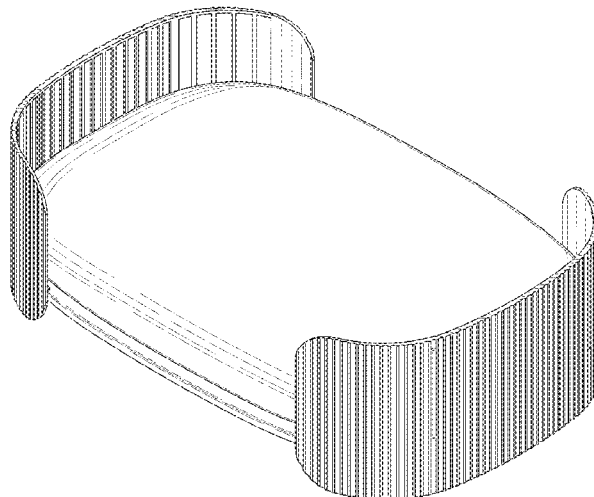
The ornamental design for a sofa for pets as shown and described.

DESCRIPTION

- 1. Sofa for pets
- 1.1 : Perspective
- 1.2 : Perspective
- 1.3 : Front
- 1.4 : Back
- 1.5 : Left
- 1.6 : Right
- 1.7 : Top
- 1.8 : Bottom

A new, original and ornamental design for a sofa for pets, as shown and described; FIG. 1.1 is a front perspective view of a sofa for pets; FIG. 1.2 is a bottom perspective view thereof; FIG. 1.3 is a front view thereof; FIG. 1.4 is a back view thereof; FIG. 1.5 is a left side view thereof; FIG. 1.6 is a right side view thereof; FIG. 1.7 is a top view thereof; and FIG. 1.8 is a bottom view thereof.

1 Claim, 8 Drawing Sheets



(56)

References Cited

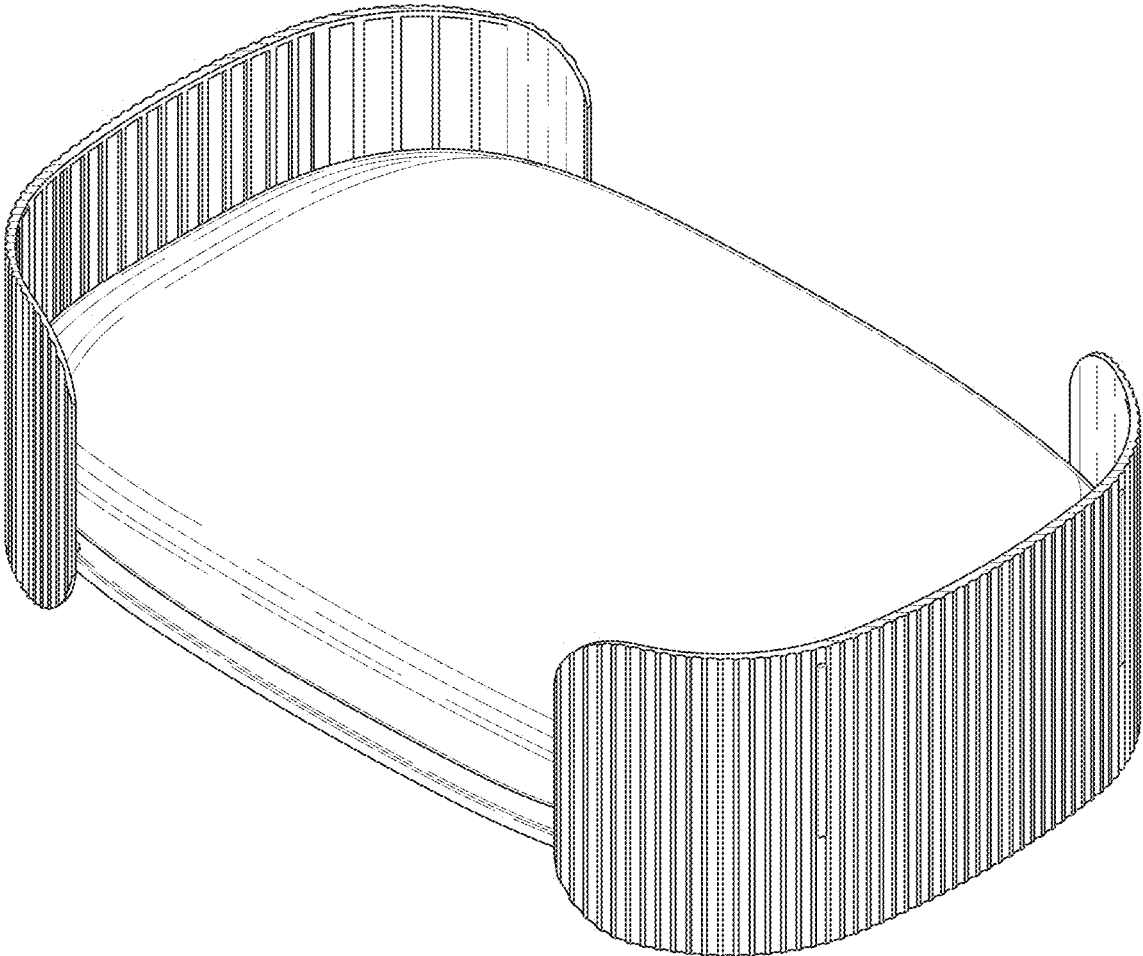
OTHER PUBLICATIONS

Kissybride Modern Dog Bed Pet Sofa, available in Amazon.com, date first available Nov. 10, 2023 [online], [site visited Jul. 26, 2024], Available from the internet URL: <https://www.amazon.com/Modern-Solid-Walnut-Cashmere-Cushion/dp/B0CN3N7DRV?th=1> (Year: 2023).*

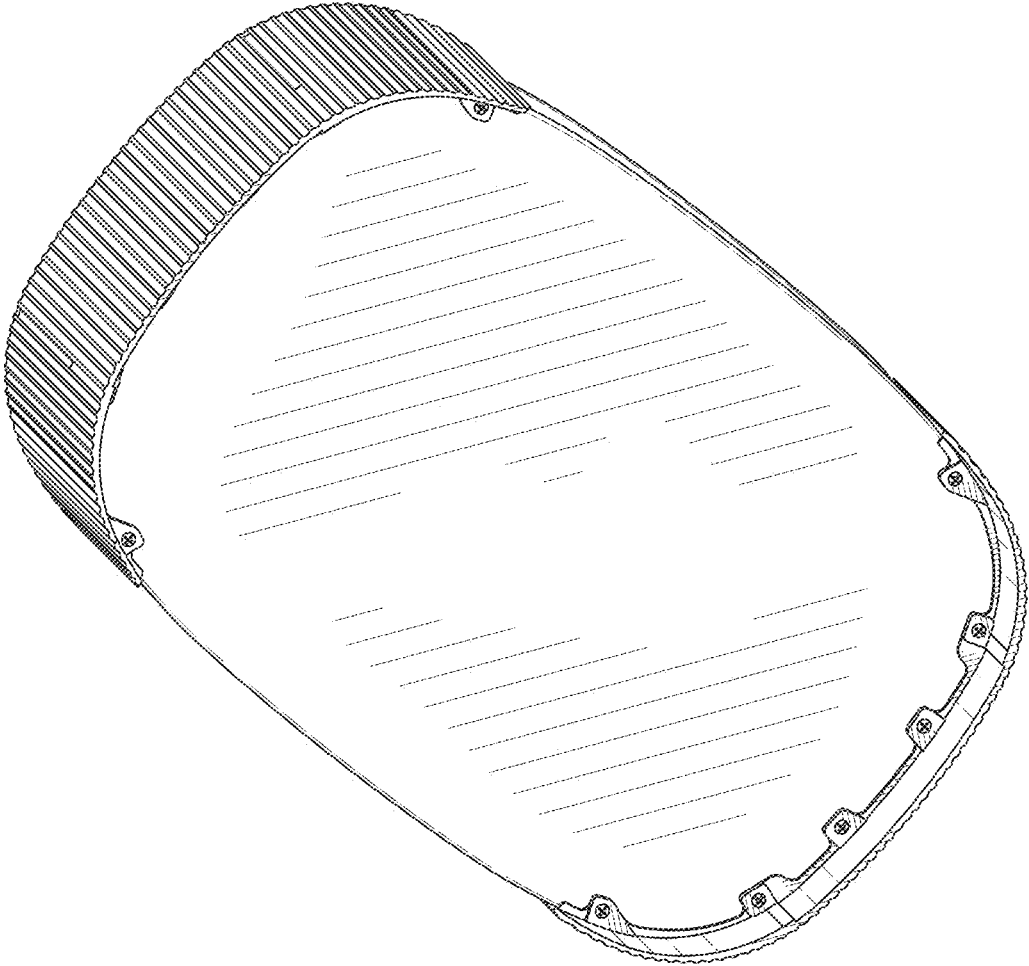
Ellipse Dog Bed, available in behance.com, announced Dec. 10, 2013 [online], [site visited Jul. 26, 2024], Internet URL: <https://www.behance.net/gallery/12971811/Ellipse-Dog-Bed> (Year: 2013).*

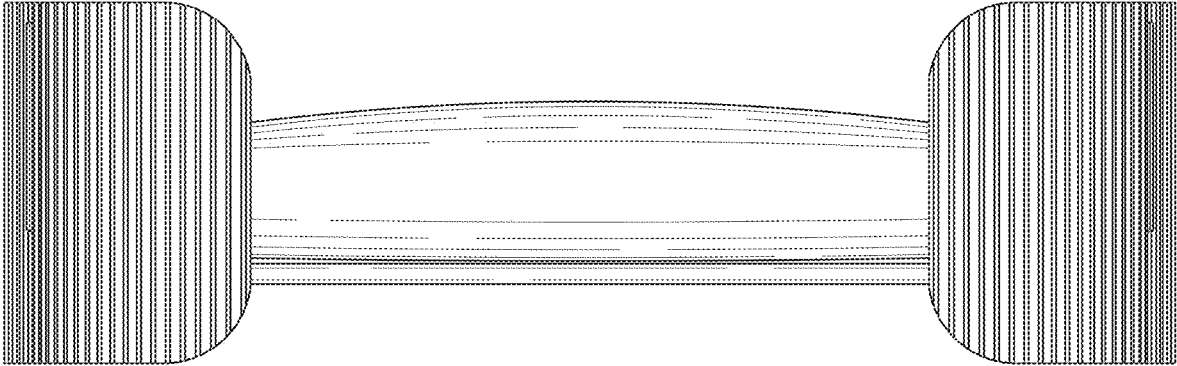
Chios-Beige and White_Dog Beds, available in ewoodcollection.com, customer review oldest date Sep. 28, 2021 [online], [site visited Jul. 26, 2024], Available from the internet URL: <https://ewoodcollection.com/products/chios-dog> (Year: 2021).*

* cited by examiner

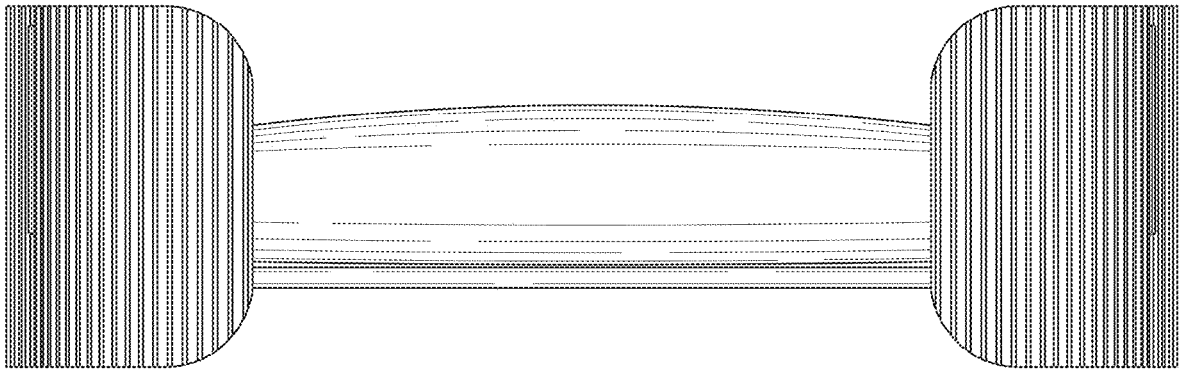


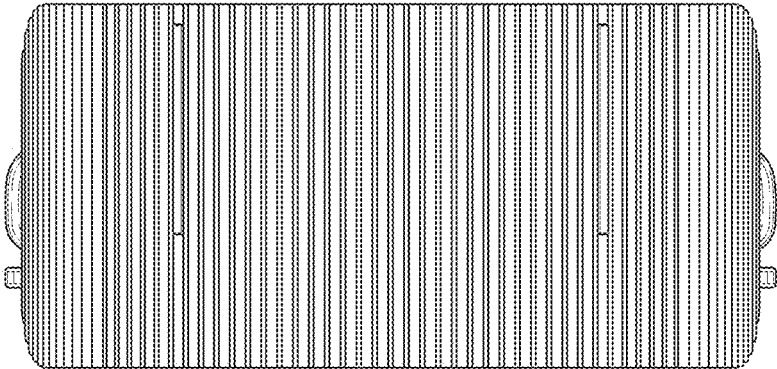
1.1

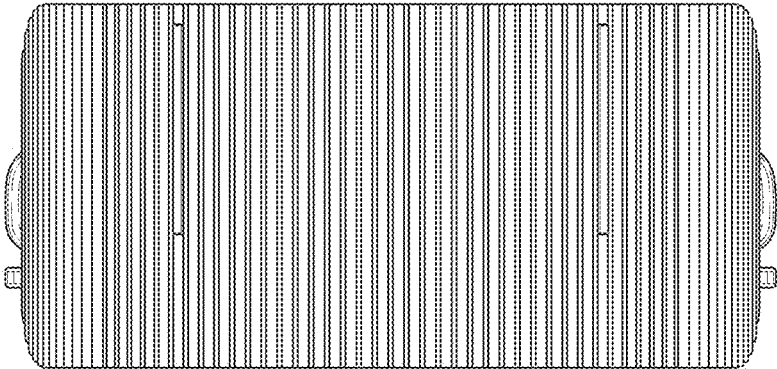




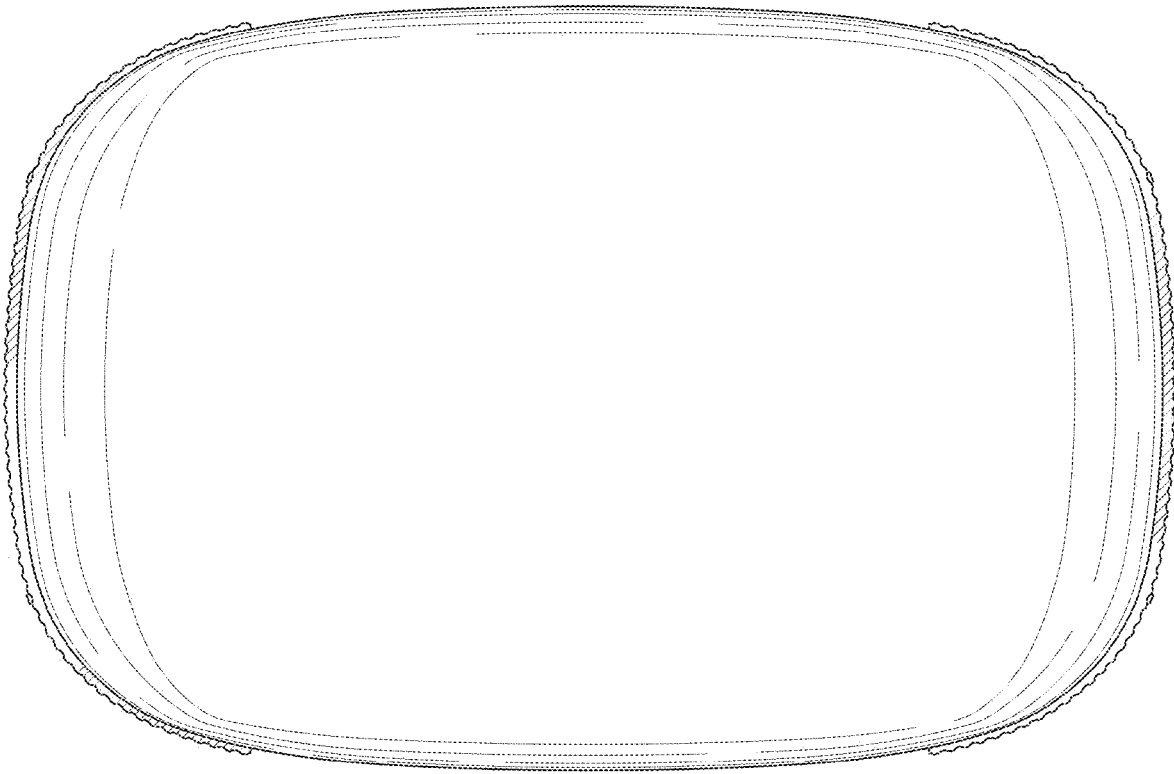
1.3

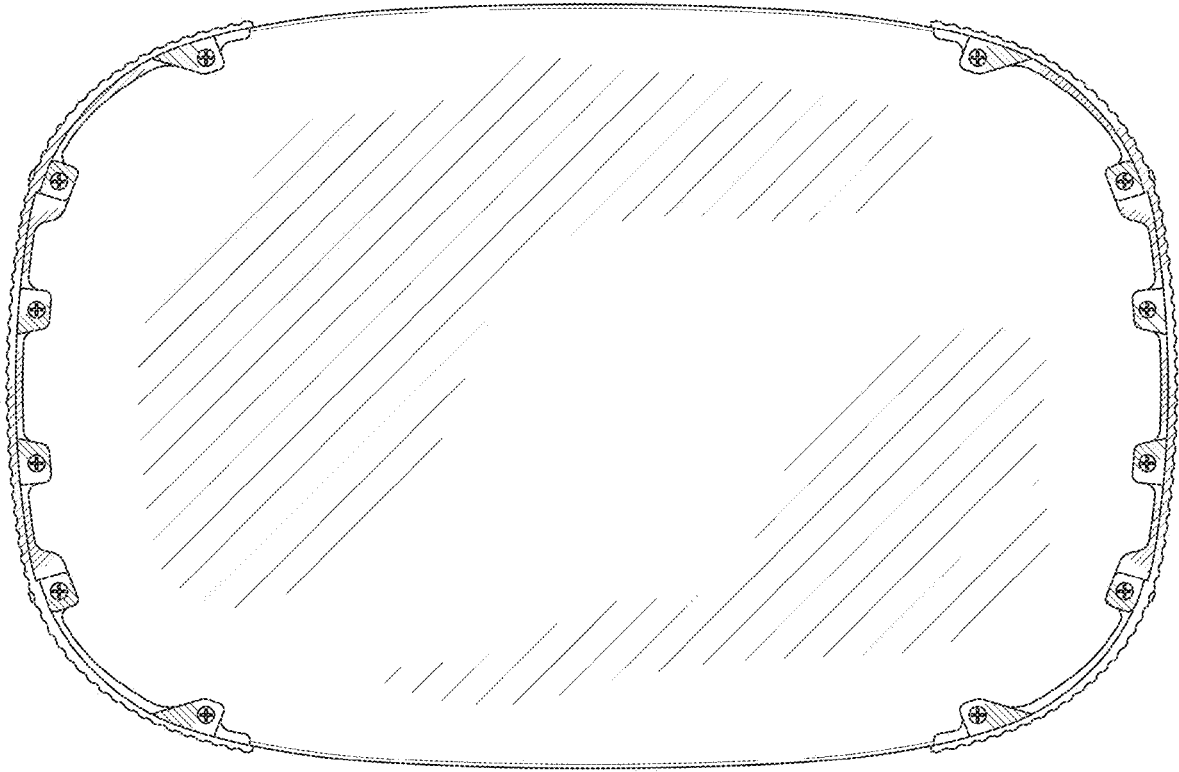






1.6





1.8