



US00D760422S

(12) **United States Design Patent**  
**Li**

(10) **Patent No.:** **US D760,422 S**

(45) **Date of Patent:** **\*\* Jun. 28, 2016**

(54) **ELECTRONIC PILLAR CANDLE**

(71) Applicant: **Xiaofeng Li**, Shenzhen (CN)

(72) Inventor: **Xiaofeng Li**, Shenzhen (CN)

(\*\*) Term: **14 Years**

(21) Appl. No.: **29/493,977**

(22) Filed: **Jun. 16, 2014**

(51) **LOC (10) Cl.** ..... **26-03**

(52) **U.S. Cl.**  
USPC ..... **D26/96**

(58) **Field of Classification Search**  
USPC ..... D26/4, 5, 6, 7, 9, 96  
CPC ..... F21S 6/00; F21S 6/001; F21S 10/04;  
F21S 10/10; F21S 10/043; F21S 8/08; F21S  
48/115; F21V 21/00; F21V 35/00; F21W  
2121/00; C11C 5/002; C11C 5/0046  
See application file for complete search history.

(56) **References Cited**

**U.S. PATENT DOCUMENTS**

2,451,725	A	*	10/1948	Franklin	.....	C11C 5/006 29/600
5,078,591	A	*	1/1992	Despres	.....	F21S 13/00 431/288
D406,379	S	*	3/1999	Andrews	.....	D26/96
D488,582	S	*	4/2004	Connelly	.....	D26/96
D569,541	S	*	5/2008	Shiu	.....	D26/96
D669,615	S	*	10/2012	Delcotto	.....	D26/6
D706,963	S	*	6/2014	Thompson	.....	D26/4

8,789,986	B2	*	7/2014	Li	.....	F21S 6/001 362/393
D735,399	S	*	7/2015	Liu	.....	D26/96
D739,069	S	*	9/2015	Bologeorges	.....	D26/13
D739,573	S	*	9/2015	Li	.....	D26/4

**OTHER PUBLICATIONS**

U.S. Appl. No. 29/493,982, filed Jun. 16, 2014, Li.

\* cited by examiner

*Primary Examiner* — Brian N Vinson

(74) *Attorney, Agent, or Firm* — Perkins Coie LLP

(57) **CLAIM**

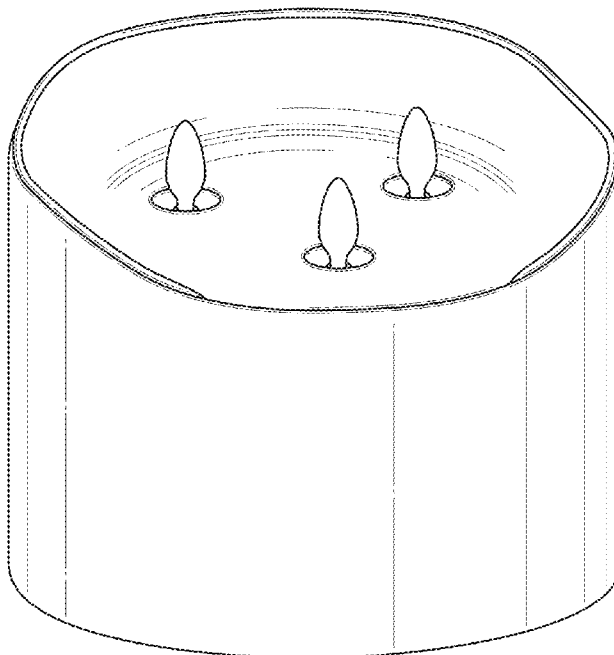
The ornamental design for an electronic pillar candle, as shown and described.

**DESCRIPTION**

FIG. 1 is an isometric view of the electronic pillar candle; FIG. 2 is a front view of the electronic pillar candle of FIG. 1; FIG. 3 is a rear view of the electronic pillar candle of FIG. 1; FIG. 4 is a left side view of the electronic pillar candle of FIG. 1; FIG. 5 is a right side view of the electronic pillar candle of FIG. 1; FIG. 6 is a top view of the electronic pillar candle of FIG. 1; and, FIG. 7 is a bottom view of the electronic pillar candle of FIG. 1.

The broken-line disclosure represents portions of the electronic pillar candle which form no part of the claimed design.

**1 Claim, 4 Drawing Sheets**



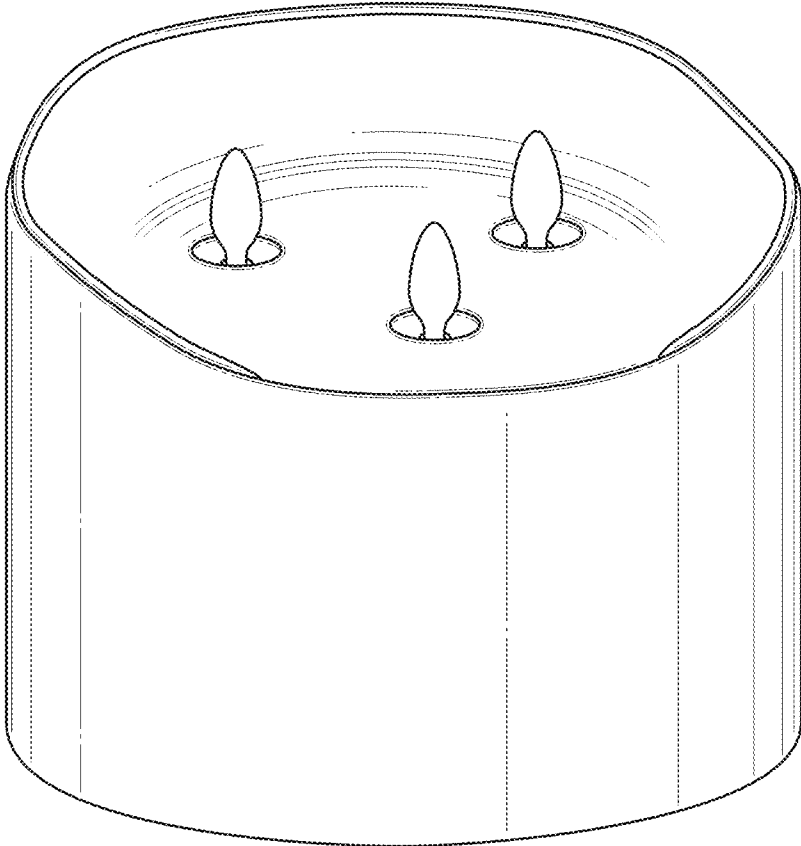


Fig. 1

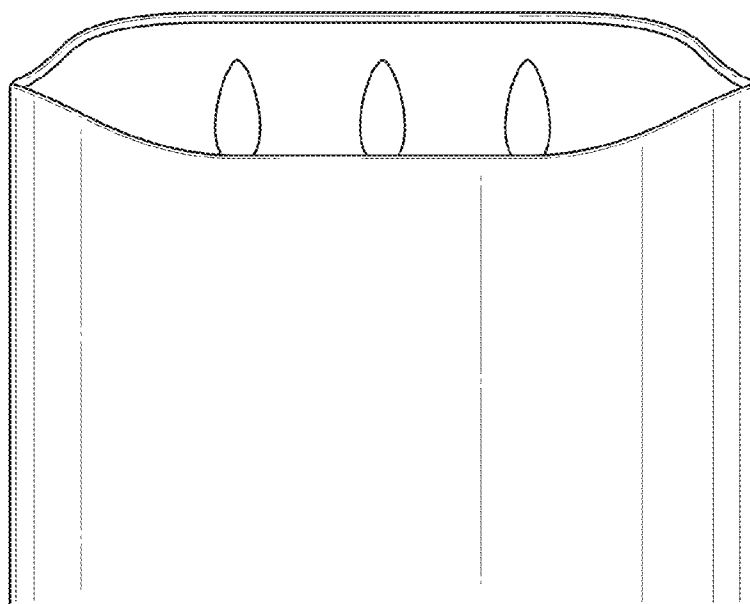


Fig. 2

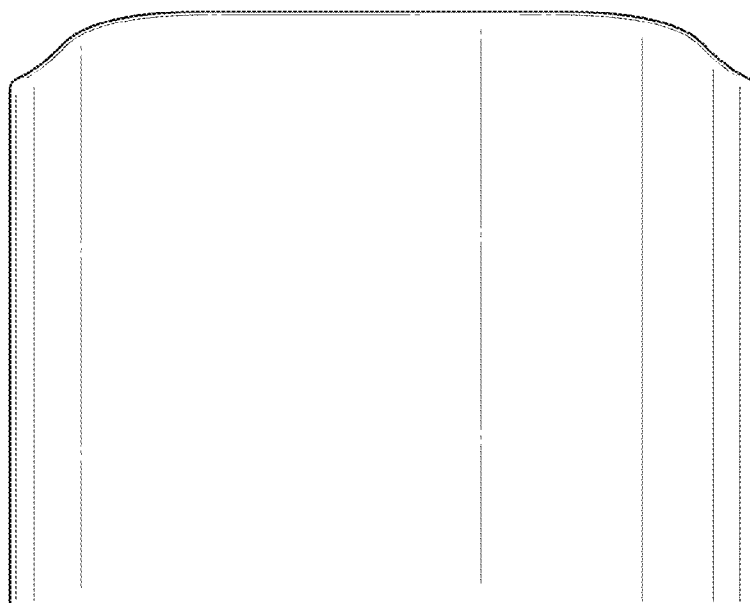


Fig. 3

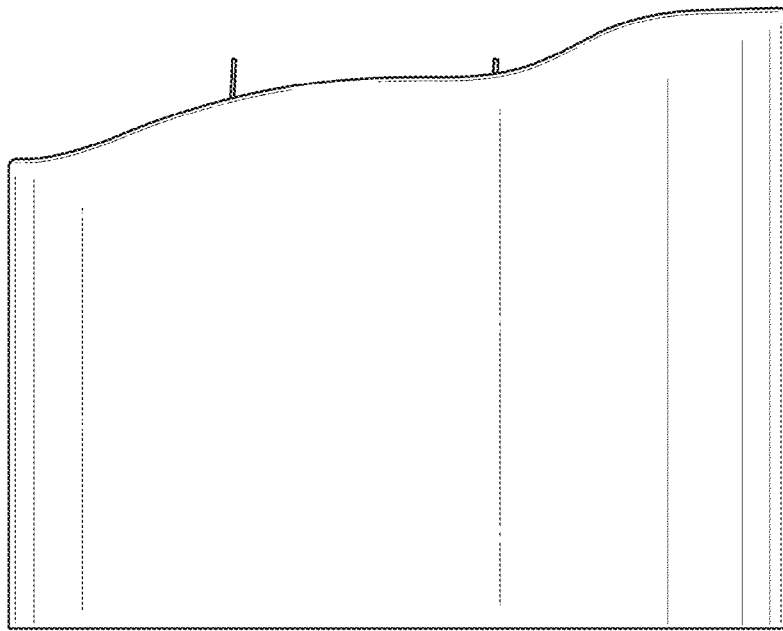


Fig. 4

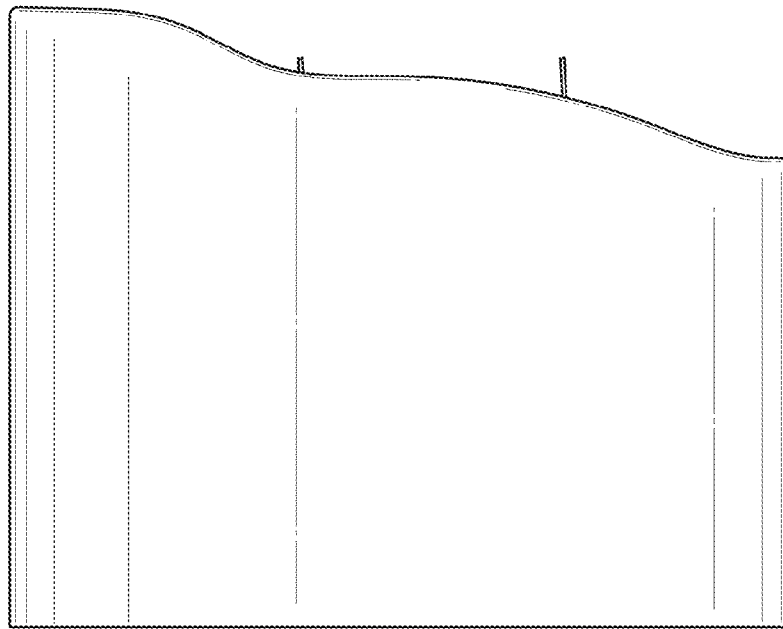


Fig. 5

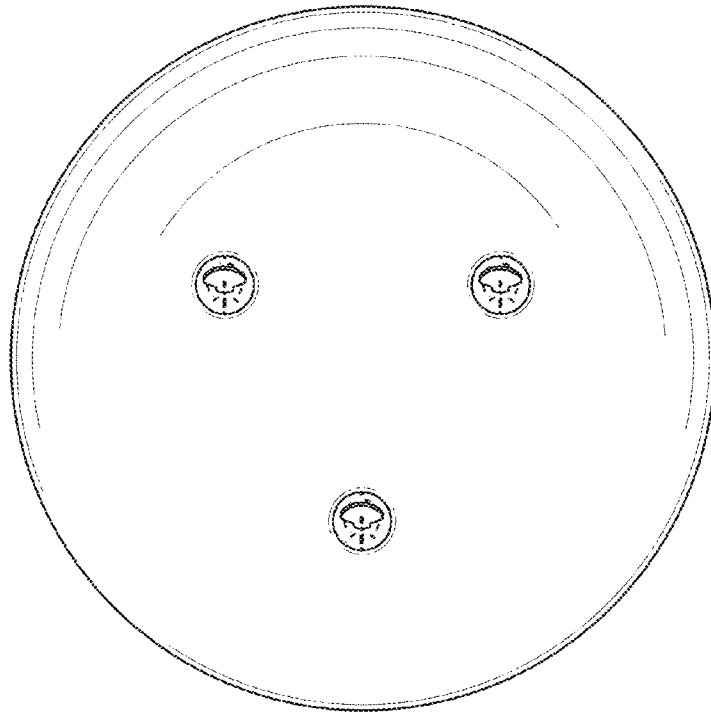


Fig. 6

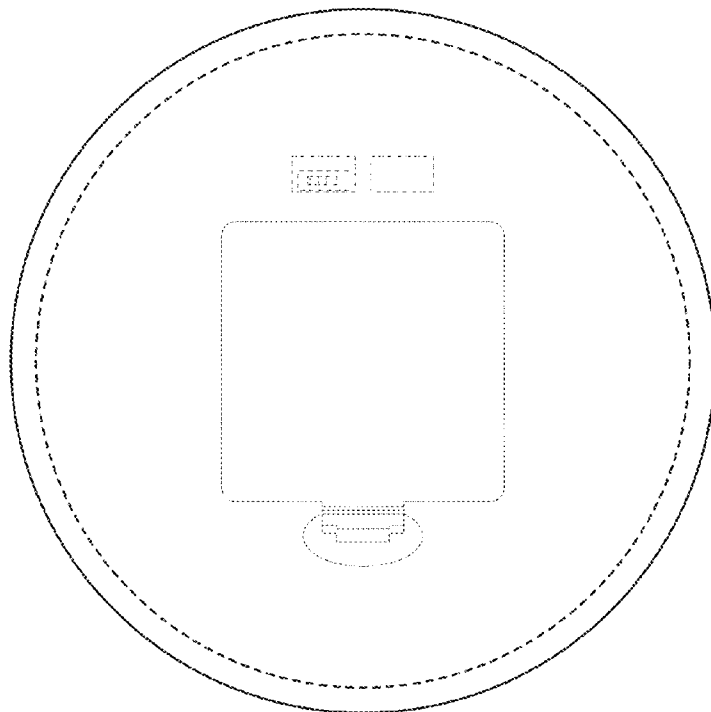


Fig. 7