



US00D706144S

(12) **United States Design Patent**
Monachon

(10) **Patent No.:** **US D706,144 S**

(45) **Date of Patent:** **** Jun. 3, 2014**

(54) **WATCH**

(71) Applicant: **Omega Ltd., Biel/Bienne (CH)**

(72) Inventor: **Jean-Claude Monachon, Bevaix (CH)**

(73) Assignee: **Omega Ltd., Biel/Bienne (CH)**

(**) Term: **14 Years**

(21) Appl. No.: **29/468,879**

(22) Filed: **Oct. 4, 2013**

(51) **LOC (10) Cl.** **10-02**

(52) **U.S. Cl.**
USPC **D10/39**

(58) **Field of Classification Search**
USPC D10/30-39, 122-132; 368/276, 281,
368/282, 80, 223, 228
See application file for complete search history.

(56) **References Cited**

U.S. PATENT DOCUMENTS

D195,421 S *	6/1963	Huguenin	D10/39
D331,884 S *	12/1992	Wunderman	D10/32
D371,082 S *	6/1996	Oba	D10/39
D447,705 S *	9/2001	Scheufele	D10/39
D474,118 S *	5/2003	Monachon	D10/32
6,570,823 B1 *	5/2003	Gilomen et al.	368/113
D487,229 S *	3/2004	Monachon	D10/32

D493,730 S *	8/2004	Monachon	D10/32
D517,432 S *	3/2006	Laucella	D10/39
D524,171 S *	7/2006	Monachon	D10/32
D525,537 S *	7/2006	Monachon	D10/32
D536,994 S *	2/2007	Sugisawa et al.	D10/31
D538,182 S *	3/2007	Lalo	D10/32
D596,050 S *	7/2009	Monachon	D10/32
D672,664 S *	12/2012	Monachon	D10/32

* cited by examiner

Primary Examiner — Lucy Lieberman

(74) *Attorney, Agent, or Firm* — Donald J. Ranft; Collen IP

(57) **CLAIM**

The ornamental design for a watch, as shown and described.

DESCRIPTION

FIG. 1 is a front right perspective view of a watch showing my new design;
FIG. 2 is a front view thereof;
FIG. 3 is a rear view thereof;
FIG. 4 is a left side view thereof;
FIG. 5 is a right side view thereof;
FIG. 6 is a top view thereof; and,
FIG. 7 is a bottom view thereof.
The portions of the watch shown in broken lines form no part of the claimed design.

1 Claim, 5 Drawing Sheets





FIG. 1



FIG. 2

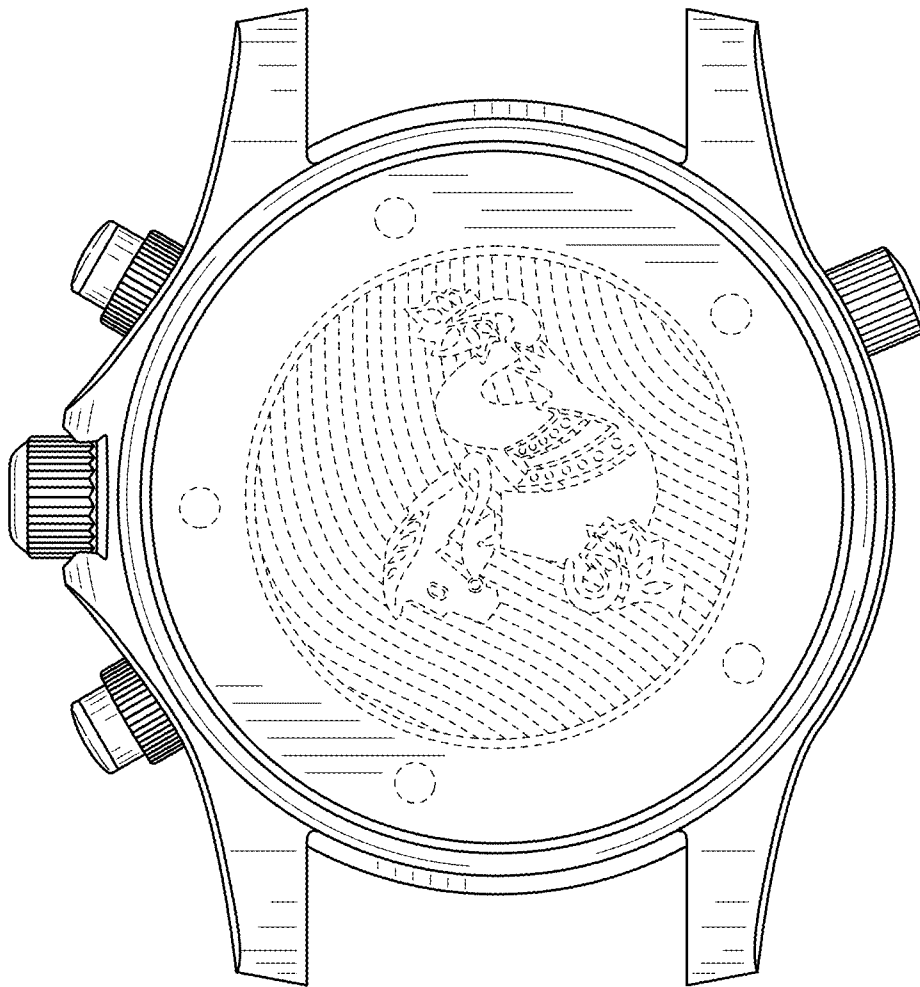


FIG. 3

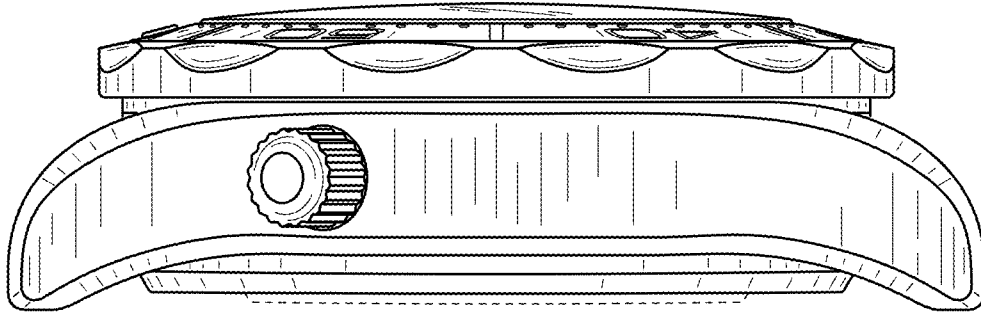


FIG. 4

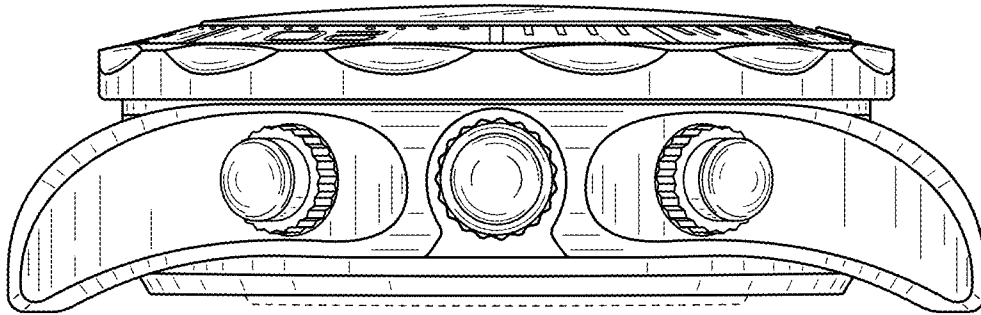


FIG. 5

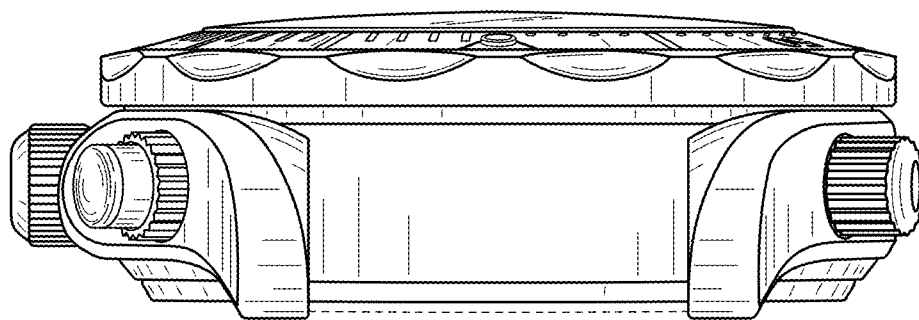


FIG. 6

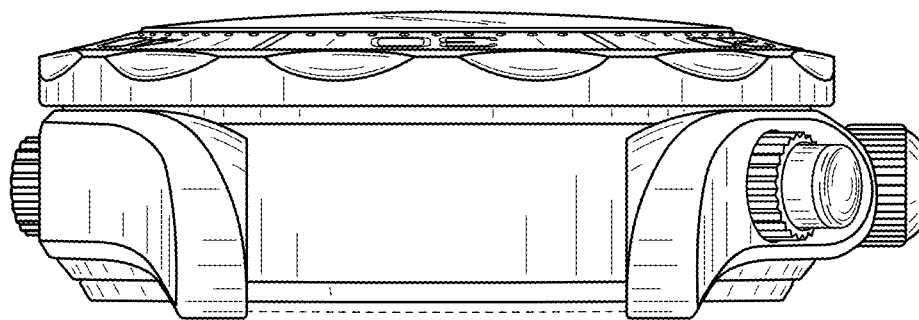


FIG. 7