

(19) World Intellectual Property Organization  
International Bureau



(43) International Publication Date  
13 September 2007 (13.09.2007)

PCT

(10) International Publication Number  
**WO 2007/103163 A3**

(51) International Patent Classification:  
*B41J 2/14* (2006.01)

(21) International Application Number:  
PCT/US2007/005328

(22) International Filing Date: 1 March 2007 (01.03.2007)

(25) Filing Language: English

(26) Publication Language: English

(30) Priority Data:  
11/364,975 1 March 2006 (01.03.2006) US

(71) Applicant (for all designated States except US): **LEX-MARK INTERNATIONAL, INC.** [US/US]; 740 West New Circle Road, Lexington, KY 40550 (US).

(72) Inventors; and

(75) Inventors/Applicants (for US only): **ANDERSON, James, Daniel, Jr.** [US/US]; 207 Beams Drive, Harrodsburg, KY 40330 (US). **GREER, David, Emerson** [US/US]; 2021 Parasol Drive, Lexington, KY 40513 (US).

(74) Agent: **KAHLE, Neill, R.**; Lexmark International, Inc., 740 West New Circle Road, Lexington, KY 40550 (US).

(81) Designated States (unless otherwise indicated, for every kind of national protection available): AE, AG, AL, AM, AT, AU, AZ, BA, BB, BG, BR, BW, BY, BZ, CA, CH, CN, CO, CR, CU, CZ, DE, DK, DM, DZ, EC, EE, EG, ES, FI, GB, GD, GE, GH, GM, GT, HN, HR, HU, ID, IL, IN, IS, JP, KE, KG, KM, KN, KP, KR, KZ, LA, LC, LK, LR, LS, LT, LU, LY, MA, MD, MG, MK, MN, MW, MX, MY, MZ, NA, NG, NI, NO, NZ, OM, PG, PH, PL, PT, RO, RS, RU, SC, SD, SE, SG, SK, SL, SM, SV, SY, TJ, TM, TN, TR, TT, TZ, UA, UG, US, UZ, VC, VN, ZA, ZM, ZW.

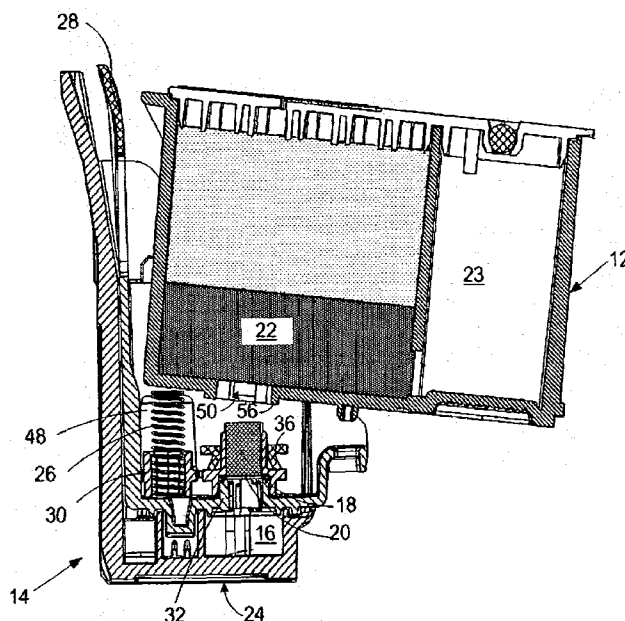
(84) Designated States (unless otherwise indicated, for every kind of regional protection available): ARIPO (BW, GH, GM, KE, LS, MW, MZ, NA, SD, SL, SZ, TZ, UG, ZM, ZW), Eurasian (AM, AZ, BY, KG, KZ, MD, RU, TJ, TM), European (AT, BE, BG, CH, CY, CZ, DE, DK, EE, ES, FI, FR, GB, GR, HU, IE, IS, IT, LT, LU, LV, MC, MT, NL, PL, PT, RO, SE, SI, SK, TR), OAPI (BF, BJ, CF, CG, CI, CM, GA, GN, GQ, GW, ML, MR, NE, SN, TD, TG).

Published:

- with international search report
- before the expiration of the time limit for amending the claims and to be republished in the event of receipt of amendments

(88) Date of publication of the international search report:  
21 August 2008

(54) Title: UNITARY WICK RETAINER AND BIASING DEVICE RETAINER FOR MICRO-FLUID EJECTION HEAD REPLACEABLE CARTRIDGE



(57) Abstract: A micro-fluid ejection head structure (24), method of sealing a removable fluid cartridge (12) to a micro-fluid ejection head structure (24), and a cartridge carrier (14) for removable fluid cartridges (12) containing a micro-fluid ejection head structure (24). The micro-fluid ejection head structure (12) includes a molded, multi-function member for attachment to the filter tower structure (32) for a micro-fluid ejection head (24). The multi-function member has at least one biasing device retainer (36) and at least one wick retainer (20) positioned laterally adjacent to the biasing device retainer (36).



WO 2007/103163 A3

# INTERNATIONAL SEARCH REPORT

International application No.

PCT/US07/05328

**A. CLASSIFICATION OF SUBJECT MATTER**  
 IPC: **B41J 2/14( 2006.01)**

USPC: 347/49

According to International Patent Classification (IPC) or to both national classification and IPC

**B. FIELDS SEARCHED**

Minimum documentation searched (classification system followed by classification symbols)  
 U.S. : 347/49, 85, 86, 87

Documentation searched other than minimum documentation to the extent that such documents are included in the fields searched

Electronic data base consulted during the international search (name of data base and, where practicable, search terms used)  
 east

**C. DOCUMENTS CONSIDERED TO BE RELEVANT**

Category *	Citation of document, with indication, where appropriate, of the relevant passages	Relevant to claim No.
A	US 6,155,678A (Komplin et al) 5 December 2000 (5.12.2000), Figure 18.	1-19
A	US 5,589,862A (Ujita et al.) 31. December 1996 (31.12.1996), Figures 5-6.	1-19
x	US 6,460,984 A (Matsumoto et al. ) 8 October 2002 (08.10.2002), Figures 1-2 and 32-36A.	1-6, 10-13 and 17-18
---		-----
y		7-9, 14-16 and 19

Further documents are listed in the continuation of Box C.       See patent family annex.

* Special categories of cited documents:	"
"A" document defining the general state of the art which is not considered to be of particular relevance	"T" later document published after the international filing date or priority date and not in conflict with the application but cited to understand the principle or theory underlying the invention
"E" earlier application or patent published on or after the international filing date	"X" document of particular relevance; the claimed invention cannot be considered novel or cannot be considered to involve an inventive step when the document is taken alone
"L" document which may throw doubts on priority claim(s) or which is cited to establish the publication date of another citation or other special reason (as specified)	"Y" document of particular relevance; the claimed invention cannot be considered to involve an inventive step when the document is combined with one or more other such documents, such combination being obvious to a person skilled in the art
"O" document referring to an oral disclosure, use, exhibition or other means	"&" document member of the same patent family
"P" document published prior to the international filing date but later than the priority date claimed	

Date of the actual completion of the international search 11 June 2008 (11.06.2008)	Date of mailing of the international search report <b>02 JUL 2008</b>
--	--

Name and mailing address of the ISA/US Mail Stop PCT, Attn: ISA/US Commissioner for Patents P.O. Box 1450 Alexandria, Virginia 22313-1450 Facsimile No. (571) 273-3201	Authorized officer ANH VO Telephone No. 571-272-2262
---	--