



US00D856497S

(12) **United States Design Patent**
Pilarczyk et al.

(10) **Patent No.:** **US D856,497 S**

(45) **Date of Patent:** **** Aug. 13, 2019**

(54) **TEST PLUG**

- (71) Applicant: **WCM Industries, Inc.**, Colorado Springs, CO (US)
- (72) Inventors: **Eric Pilarczyk**, Colorado Springs, CO (US); **Kevin Thomas Hogan**, Leawood, KS (US)
- (73) Assignee: **WCM INDUSTRIES, INC.**, Colorado Springs, CO (US)
- (**) Term: **15 Years**

(21) Appl. No.: **29/630,143**

(22) Filed: **Dec. 19, 2017**

(51) **LOC (12) Cl.** **23-01**

(52) **U.S. Cl.**
USPC **D23/260**

(58) **Field of Classification Search**
 USPC D10/83; D23/260
 CPC . E03C 1/24; F16L 55/10; F16L 55/124; F16L 55/132; F16L 55/134; F17D 3/10; F17D 5/02; F16K 7/10
 See application file for complete search history.

(56) **References Cited**

U.S. PATENT DOCUMENTS

1,993,307	A *	3/1935	Nicholson	F16L 55/132 138/89
D341,142	S *	11/1993	Rogers	D15/5
D360,600	S *	7/1995	Rossi	D10/83
6,883,546	B1 *	4/2005	Kobylinski	F16L 55/1141 138/89

OTHER PUBLICATIONS

Watco, Bath Wastes and Trim Kits, Price Guide and Product Catalog, Effective May 15, 2017 rev 8-1, 80 pages, specifically p. 61: section labeled—Test Caps & Test Plugs.

* cited by examiner

Primary Examiner — Antoine Duval Davis

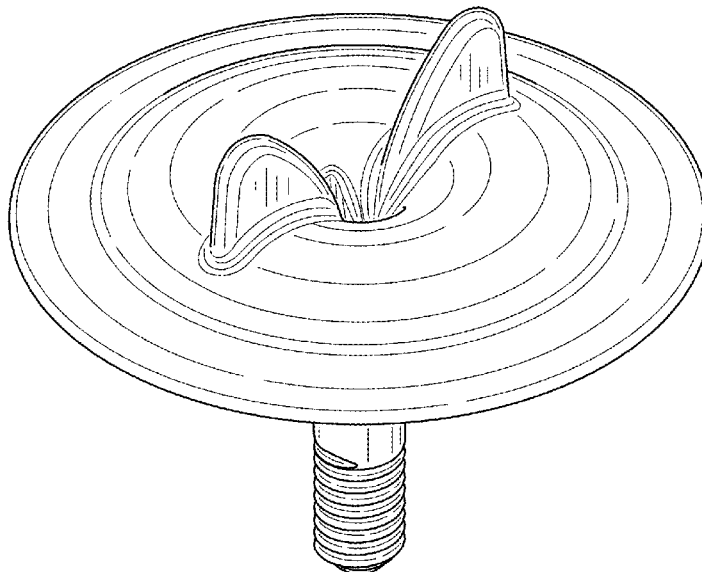
(57) **CLAIM**

The ornamental design for a test plug, as shown and described.

DESCRIPTION

FIG. 1 is a top perspective view of an exemplary test plug. FIG. 2 is a bottom perspective view of the test plug of FIG. 1. FIG. 3 is a side elevation view of the test plug of FIG. 1. FIG. 4 is another side elevation view of the test plug of FIG. 1. FIG. 5 is a top plan view of the test plug of FIG. 1. FIG. 6 is a bottom plan view of the test plug of FIG. 1. FIG. 7 is a top perspective view of another example of a test plug. FIG. 8 is a bottom perspective view of the test plug of FIG. 7. FIG. 9 is a side elevation view of the test plug of FIG. 7. FIG. 10 is another side elevation view of the test plug of FIG. 7. FIG. 11 is a top plan view of the test plug of FIG. 7; and, FIG. 12 is a bottom plan view of the test plug of FIG. 7. The broken lines depict the boundaries of the test plug and form no part of the claimed design.

1 Claim, 12 Drawing Sheets



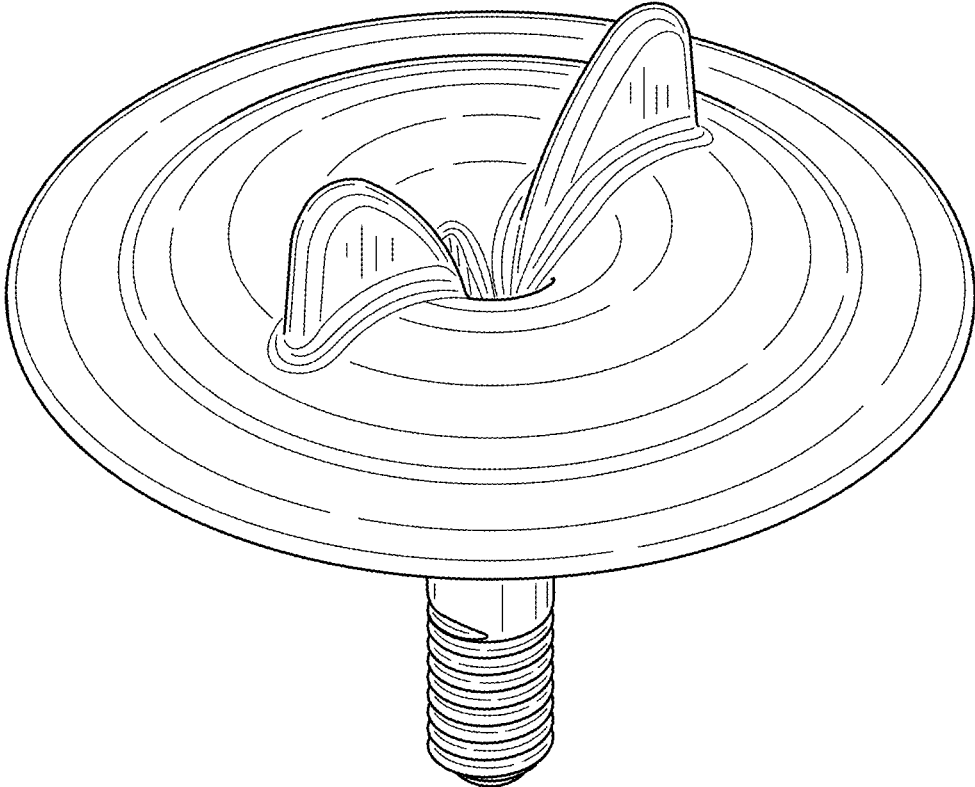


FIG.1

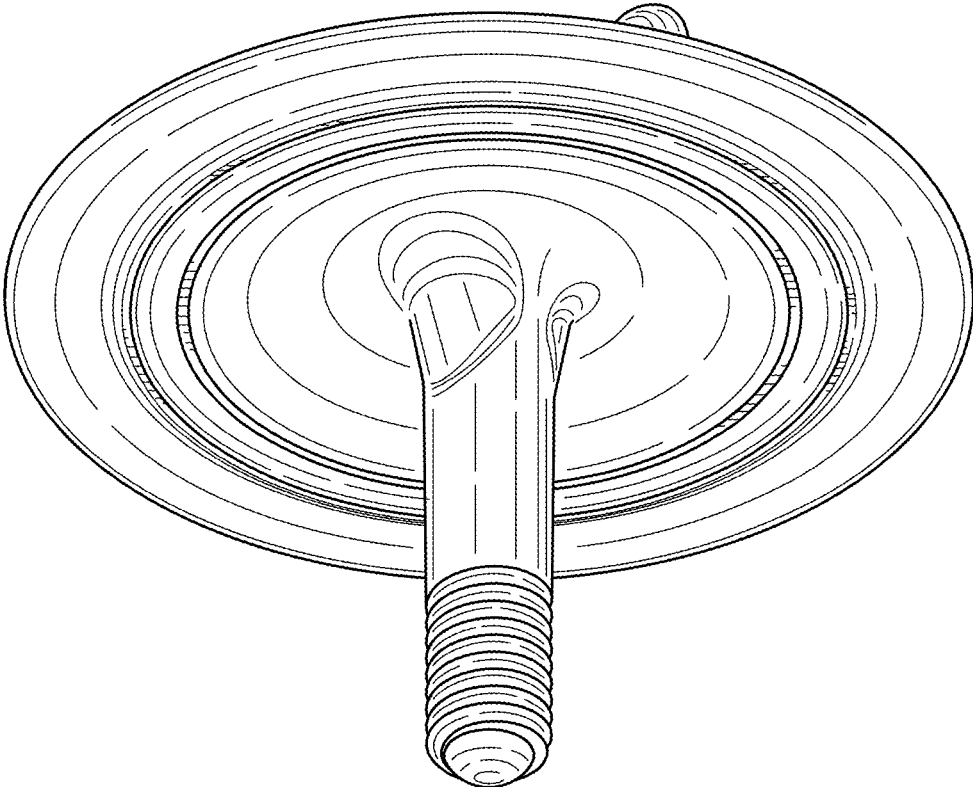


FIG.2

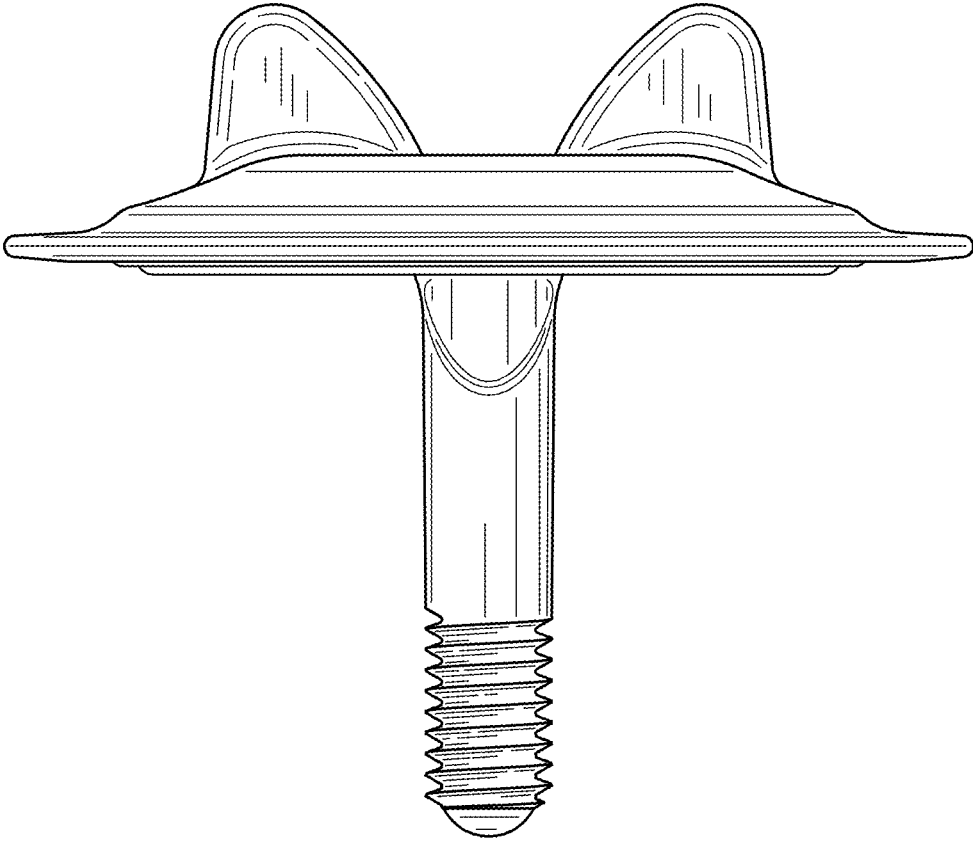


FIG.3

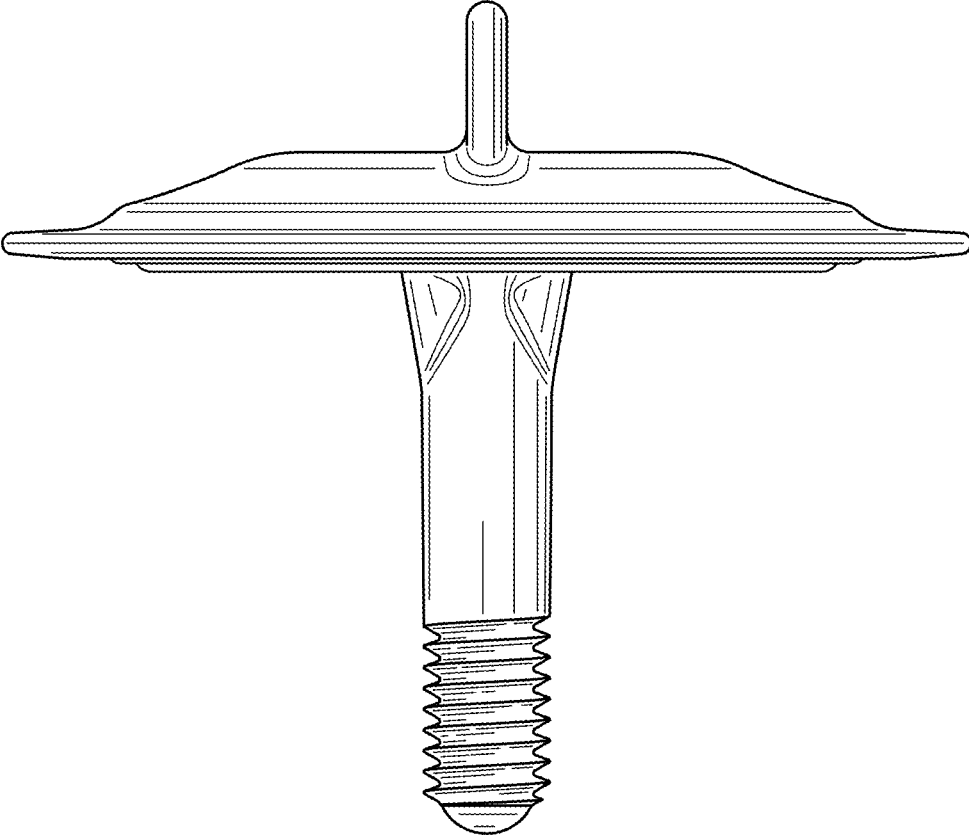


FIG.4

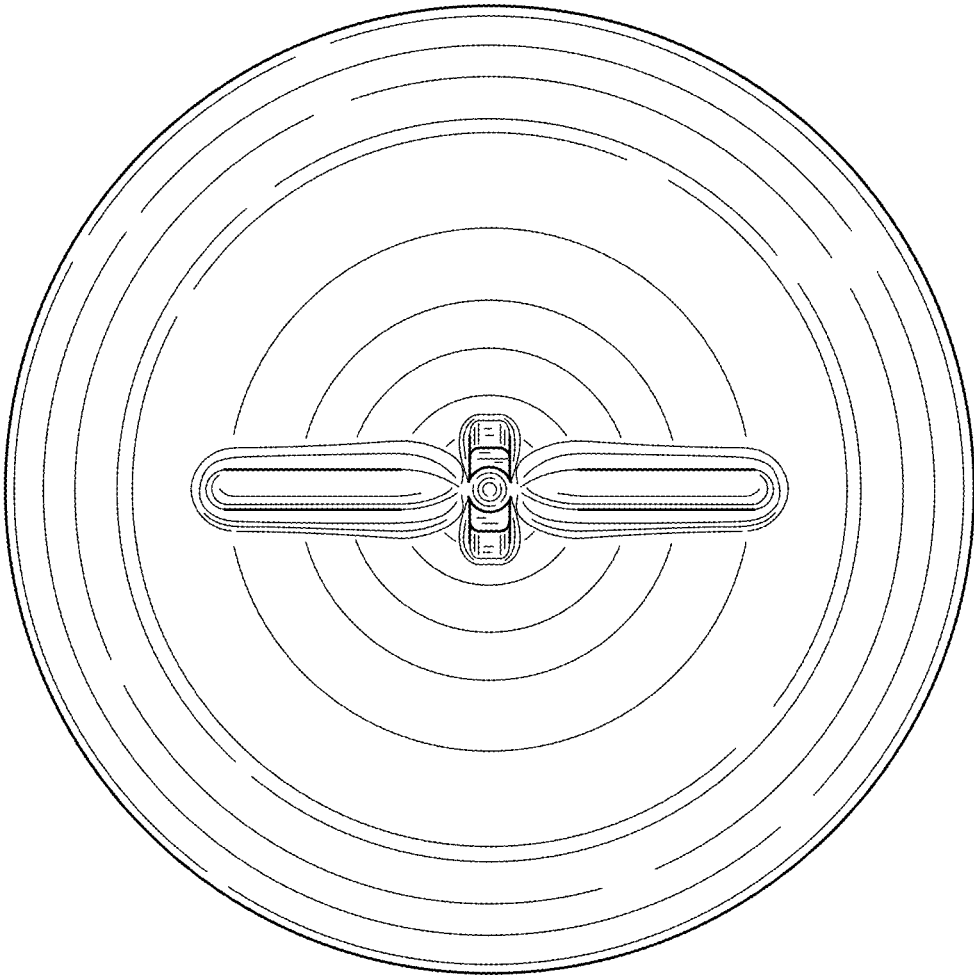


FIG.5

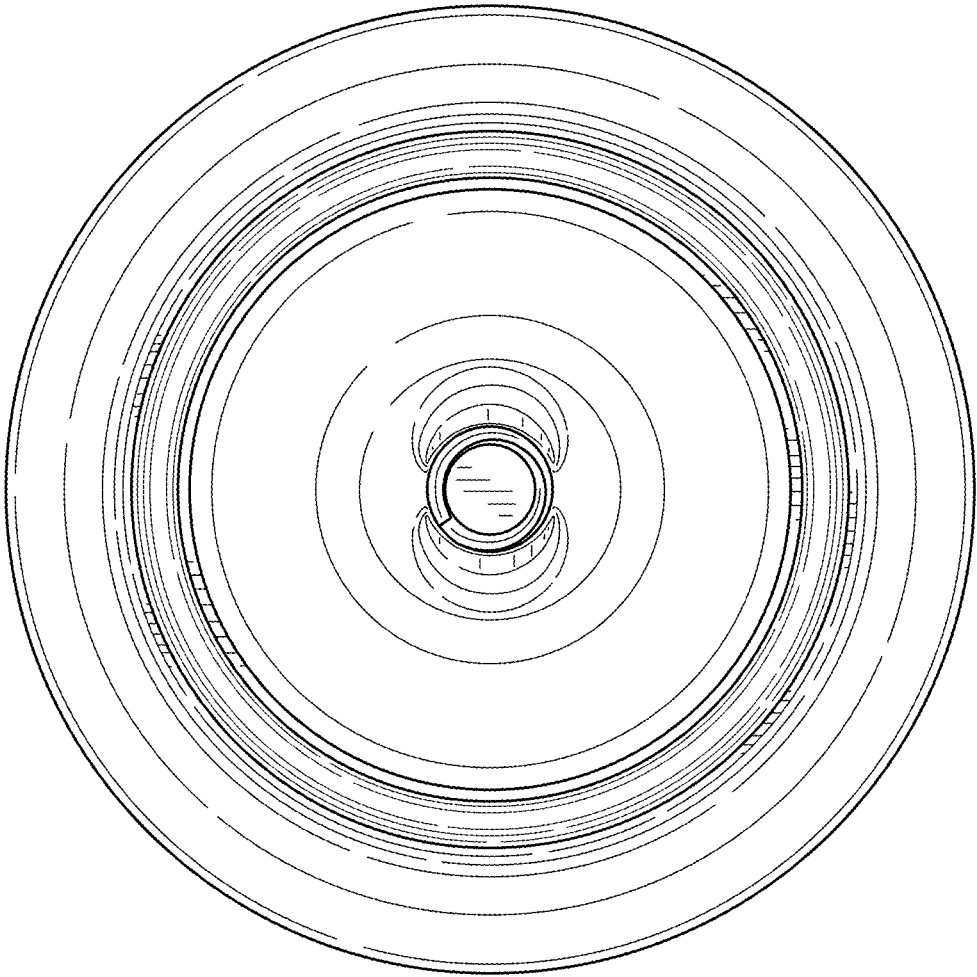


FIG. 6

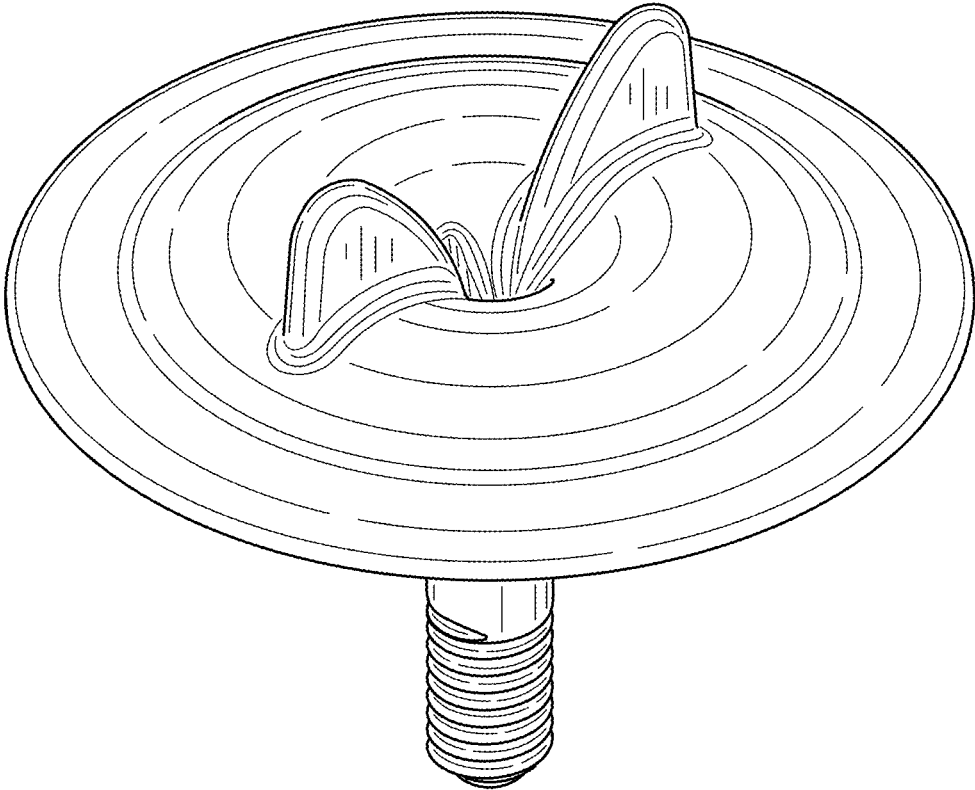


FIG.7

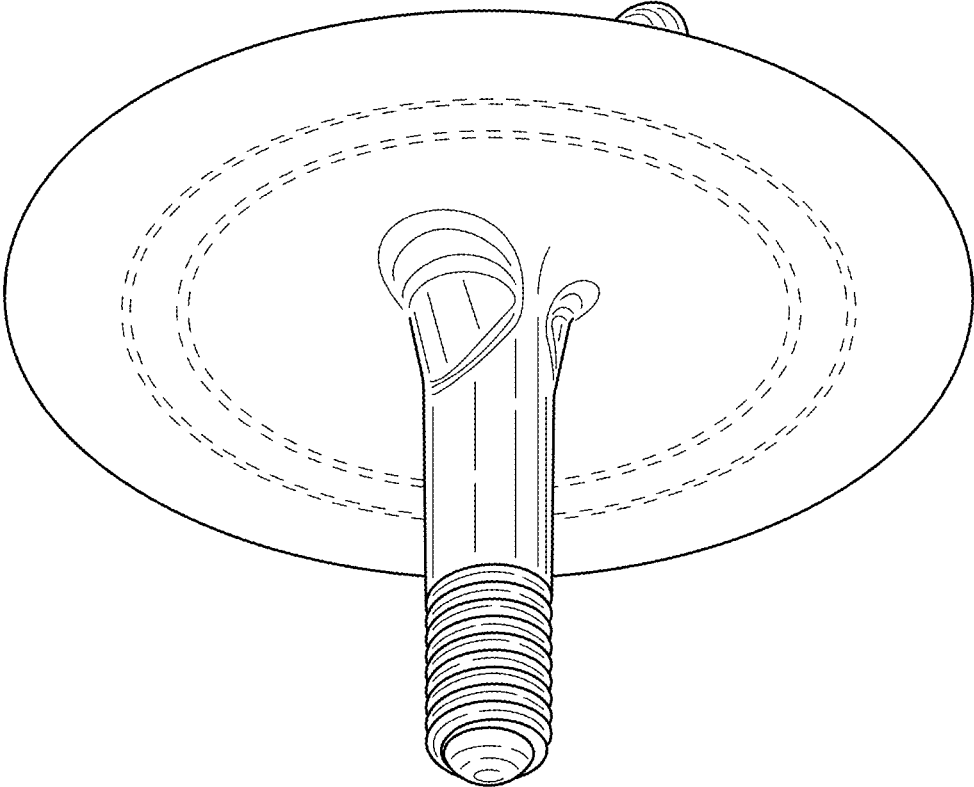


FIG.8

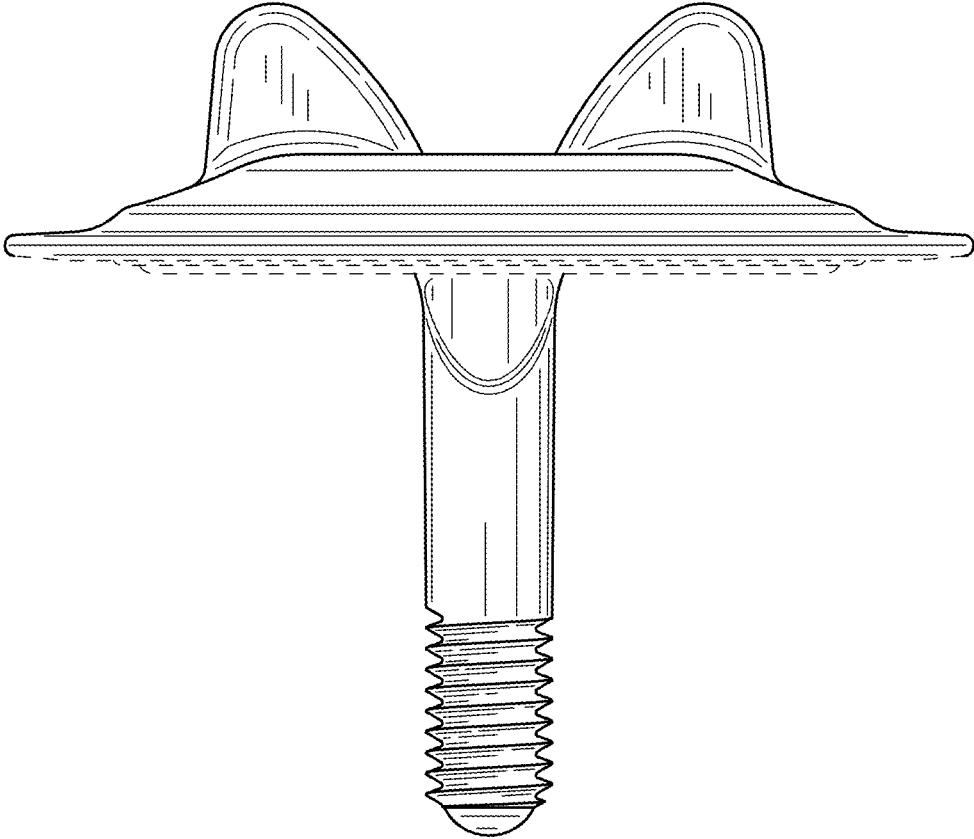


FIG.9

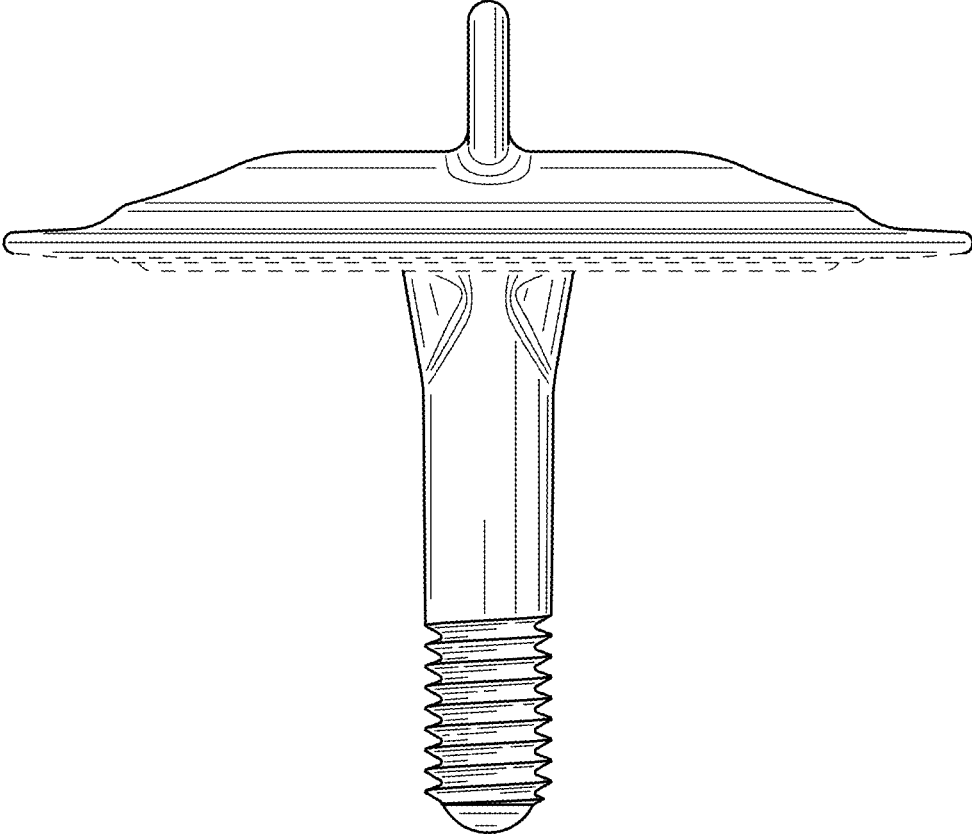


FIG.10

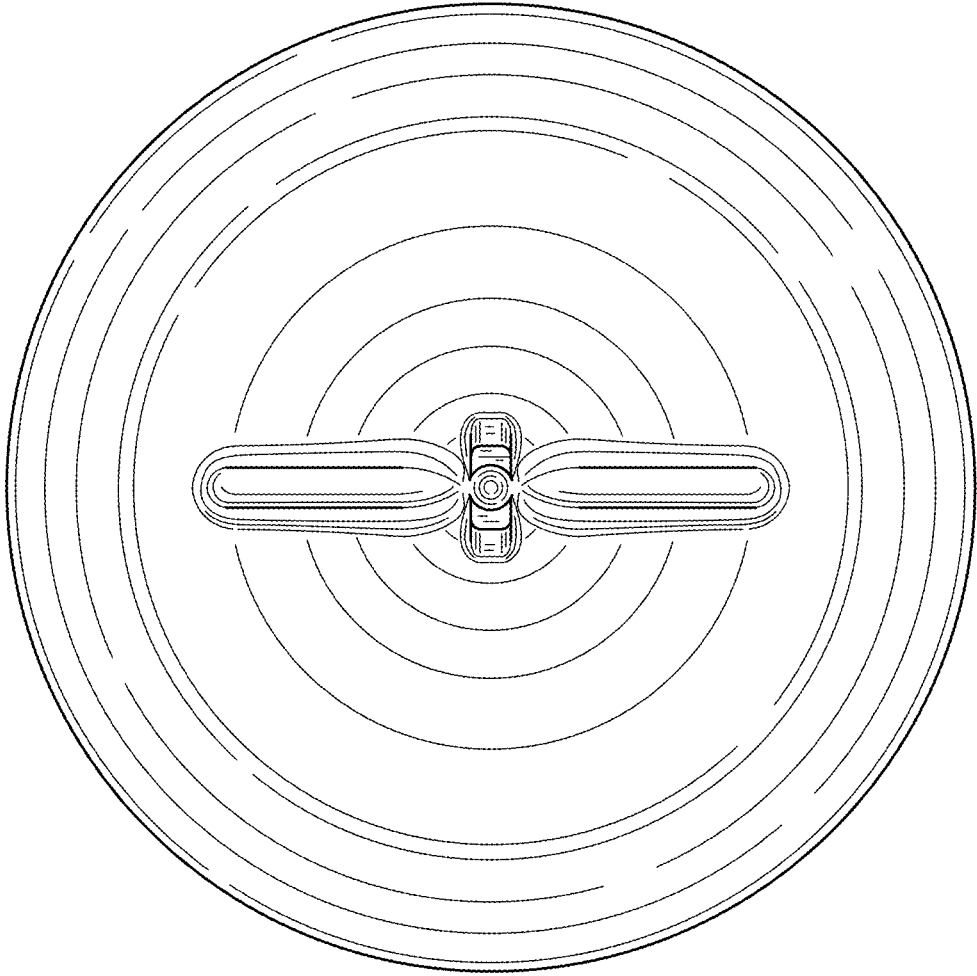


FIG.11

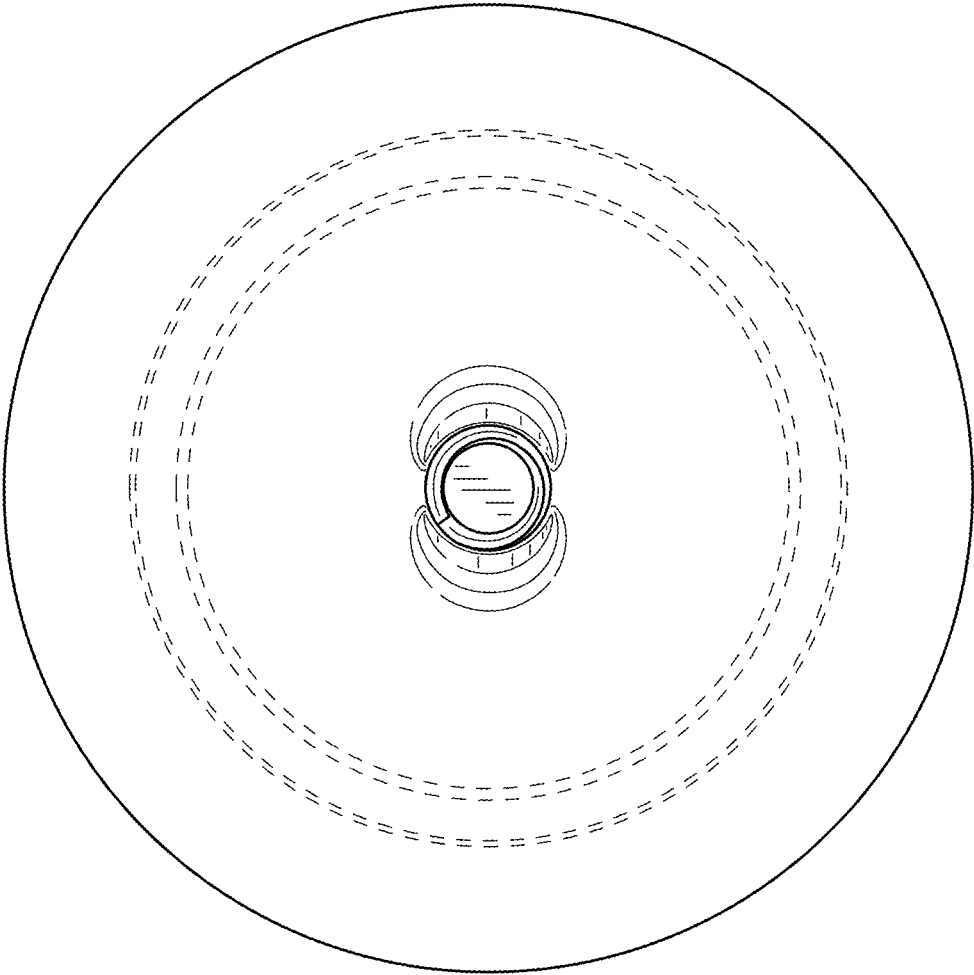


FIG.12