



(51) International Patent Classification:

E21B 19/09 (2006.01) E21B 19/00 (2006.01)  
E21B 19/22 (2006.01)

(21) International Application Number:

PCT/NL2013/000025

(22) International Filing Date:

6 May 2013 (06.05.2013)

(25) Filing Language:

English

(26) Publication Language:

English

(30) Priority Data:

61/645,910 11 May 2012 (11.05.2012) US

(71) Applicant: ITREC B.V. [NL/NL]; 2, admiraal Trompstraat, NL-3115 HH Schiedam (NL).

(72) Inventors: ROODENBURG, Joop; 7, St. Eustatiusstraat, NL-2612 HA Delft (NL). WIJNING, Diederick Bernardus; 32, Gustav Vasaborg, NL-3124 TH Schiedam (NL).

(74) Agent: DE GRAVE-WOLTERINK, I.J.C.M.E.; P.O. Box 3241, NL-2280 GE Rijswijk (NL).

(81) Designated States (unless otherwise indicated, for every kind of national protection available): AE, AG, AL, AM,

AO, AT, AU, AZ, BA, BB, BG, BH, BN, BR, BW, BY, BZ, CA, CH, CL, CN, CO, CR, CU, CZ, DE, DK, DM, DO, DZ, EC, EE, EG, ES, FI, GB, GD, GE, GH, GM, GT, HN, HR, HU, ID, IL, IN, IS, JP, KE, KG, KM, KN, KP, KR, KZ, LA, LC, LK, LR, LS, LT, LU, LY, MA, MD, ME, MG, MK, MN, MW, MX, MY, MZ, NA, NG, NI, NO, NZ, OM, PA, PE, PG, PH, PL, PT, QA, RO, RS, RU, RW, SC, SD, SE, SG, SK, SL, SM, ST, SV, SY, TH, TJ, TM, TN, TR, TT, TZ, UA, UG, US, UZ, VC, VN, ZA, ZM, ZW.

(84) Designated States (unless otherwise indicated, for every kind of regional protection available): ARIPO (BW, GH, GM, KE, LR, LS, MW, MZ, NA, RW, SD, SL, SZ, TZ, UG, ZM, ZW), Eurasian (AM, AZ, BY, KG, KZ, RU, TJ, TM), European (AL, AT, BE, BG, CH, CY, CZ, DE, DK, EE, ES, FI, FR, GB, GR, HR, HU, IE, IS, IT, LT, LU, LV, MC, MK, MT, NL, NO, PL, PT, RO, RS, SE, SI, SK, SM, TR), OAPI (BF, BJ, CF, CG, CI, CM, GA, GN, GQ, GW, ML, MR, NE, SN, TD, TG).

Published:

— with international search report (Art. 21(3))

[Continued on next page]

(54) Title: OFFSHORE VESSEL AND METHOD OF OPERATION OF SUCH AN OFFSHORE VESSEL

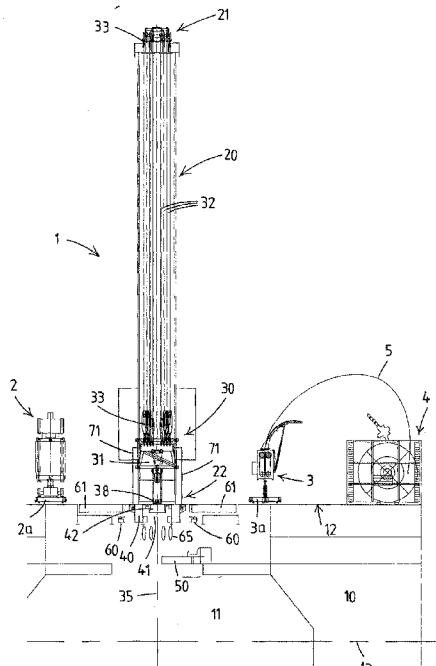


Fig. 1

(57) Abstract: The present invention relates to an offshore vessel capable of installing and removing a subsea well control device and a riser string, the vessel comprising a hoisting device comprising a travelling block for connecting a load, which travelling block is displaceable along a firing line which extends through a moonpool and a heave compensation system. The vessel further comprises a working deck supported by the hull of the vessel which covers at least a portion of the moonpool to allow the assembly of a riser string, wherein said working deck is provided with a riser string suspension device that allows to suspend a top end of a string of risers. According to the invention, a heave compensation connection system is provided, which is adapted to connect the working deck to the travelling block, such that the hoisting device can move the working deck when the working deck is connected to the travelling block between a lowered riser assembly position allowing the assembly of a riser string, and in which the working deck is supported by the hull, and a raised heave compensated position, in which the working deck is connected to the travelling block, and wherein the working deck is heave compensated.



— *before the expiration of the time limit for amending the claims and to be republished in the event of receipt of amendments (Rule 48.2(h))*

**(88) Date of publication of the international search report:**  
30 May 2014

# INTERNATIONAL SEARCH REPORT

International application No PCT/NL2013/000025
---

**A. CLASSIFICATION OF SUBJECT MATTER**  
 INV. E21B19/09      E21B19/22      E21B19/00  
 ADD.

According to International Patent Classification (IPC) or to both national classification and IPC

**B. FIELDS SEARCHED**

Minimum documentation searched (classification system followed by classification symbols)  
 E21B

Documentation searched other than minimum documentation to the extent that such documents are included in the fields searched

Electronic data base consulted during the international search (name of data base and, where practicable, search terms used)  
 EPO-Internal, WPI Data

**C. DOCUMENTS CONSIDERED TO BE RELEVANT**

Category*	Citation of document, with indication, where appropriate, of the relevant passages	Relevant to claim No.
A	EP 1 103 459 A1 (MERCUR SLIMHOLE DRILLING AND I [NO]) 30 May 2001 (2001-05-30) the whole document paragraphs [0022], [0023]; figure 3 paragraphs [0018] - [0021]; claims 4,6; figure 2 -----	1-3,6, 8-13,15
A	EP 2 186 993 A1 (SAIPEM SPA [IT]) 19 May 2010 (2010-05-19) claims 1,15; figures 1,3-5 the whole document -----	1
A	WO 2010/071444 A1 (MOSS MARITIME AS [NO]; KRISTENSEN PER HERBERT [NO]; SORHAUG LARS MARTI) 24 June 2010 (2010-06-24) the whole document page 4, line 22 - page 7, line 18; claims 4,12; figures 1-4,7,8 -----	1
-/--		

Further documents are listed in the continuation of Box C.

See patent family annex.

\* Special categories of cited documents :

- |   |   |
|---|---|
| <p>"A" document defining the general state of the art which is not considered to be of particular relevance</p> <p>"E" earlier application or patent but published on or after the international filing date</p> <p>"L" document which may throw doubts on priority claim(s) or which is cited to establish the publication date of another citation or other special reason (as specified)</p> <p>"O" document referring to an oral disclosure, use, exhibition or other means</p> <p>"P" document published prior to the international filing date but later than the priority date claimed</p> | <p>"T" later document published after the international filing date or priority date and not in conflict with the application but cited to understand the principle or theory underlying the invention</p> <p>"X" document of particular relevance; the claimed invention cannot be considered novel or cannot be considered to involve an inventive step when the document is taken alone</p> <p>"Y" document of particular relevance; the claimed invention cannot be considered to involve an inventive step when the document is combined with one or more other such documents, such combination being obvious to a person skilled in the art</p> <p>"&amp;" document member of the same patent family</p> |
|---|---|

Date of the actual completion of the international search  <p style="text-align: center;">11 April 2014</p>	Date of mailing of the international search report  <p style="text-align: center;">17/04/2014</p>
---	---

Name and mailing address of the ISA/ European Patent Office, P.B. 5818 Patentlaan 2 NL - 2280 HV Rijswijk Tel. (+31-70) 340-2040, Fax: (+31-70) 340-3016	Authorized officer  <p style="text-align: center;">van Berlo, André</p>
--	---

## INTERNATIONAL SEARCH REPORT

International application No

PCT/NL2013/000025

C(Continuation). DOCUMENTS CONSIDERED TO BE RELEVANT		
Category*	Citation of document, with indication, where appropriate, of the relevant passages	Relevant to claim No.
A	US 4 121 806 A (IATO MICHEL ET AL) 24 October 1978 (1978-10-24) figures 5,4 the whole document	1
A	----- WO 2011/034422 A2 (ITREC BV [NL]; ROODENBURG JOOP [NL]; WIJNING DIEDERICK BERNARDUS [NL]) 24 March 2011 (2011-03-24) figures 1,12 the whole document -----	1

# INTERNATIONAL SEARCH REPORT

Information on patent family members

International application No

PCT/NL2013/000025

Patent document cited in search report	Publication date	Patent family member(s)	Publication date
EP 1103459	A1	30-05-2001	NONE
-----			
EP 2186993	A1	19-05-2010	EP 2186993 A1 19-05-2010
			EP 2350425 A2 03-08-2011
			US 2012018166 A1 26-01-2012
			WO 2010055172 A2 20-05-2010
-----			
WO 2010071444	A1	24-06-2010	GB 2477693 A 10-08-2011
			NO 329333 B1 27-09-2010
			US 2011240305 A1 06-10-2011
			WO 2010071444 A1 24-06-2010
-----			
US 4121806	A	24-10-1978	AU 503187 B2 23-08-1979
			AU 2342677 A 21-09-1978
			BR 7701657 A 17-01-1978
			CA 1062238 A1 11-09-1979
			DE 2711673 A1 29-09-1977
			DK 118377 A 19-09-1977
			FR 2344490 A1 14-10-1977
			GB 1530574 A 01-11-1978
			IE 44504 B1 16-12-1981
			IT 1077713 B 04-05-1985
			JP S52134801 A 11-11-1977
			NL 7702922 A 20-09-1977
			NO 770960 A 20-09-1977
			SE 7702936 A 19-09-1977
			US 4121806 A 24-10-1978
			ZA 7701534 A 25-01-1978
-----			
WO 2011034422	A2	24-03-2011	CN 102630211 A 08-08-2012
			EP 2477927 A2 25-07-2012
			US 2012217063 A1 30-08-2012
			WO 2011034422 A2 24-03-2011
-----			