



US00D680403S

(12) **United States Design Patent**
Adams et al.

(10) **Patent No.:** US D680,403 S

(45) **Date of Patent:** ** Apr. 23, 2013

(54) **HANDLE FOR A TOOL**

(75) Inventors: **Ann M. Adams**, New Tripoli, PA (US);
Elizabeth A. Brensinger, New Tripoli,
PA (US); **Randall G. Bock**, Philipsburg,
PA (US); **Roderick T. Thompson**,
Shippensburg, PA (US); **Aaron M.**
Yoder, Osceola Mills, PA (US); **Michael**
Yurkewicz, Erie, PA (US)

(73) Assignee: **Green Heron Tools, LLC**, New Tripoli,
PA (US)

(**) Term: **14 Years**

(21) Appl. No.: **29/416,383**

(22) Filed: **Mar. 21, 2012**

(51) **LOC (9) Cl.** **08-04**

(52) **U.S. Cl.**
USPC **D8/107**

(58) **Field of Classification Search** D8/107,
D8/8, 10, 87, 300, 303, 307; 16/110.1, 411,
16/422, 430, DIG. 19, 426; 294/54.5, 51,
294/57; D34/27; D3/328.1, 318; 190/115;
383/24, 25; 15/143.1

See application file for complete search history.

(56) **References Cited**

U.S. PATENT DOCUMENTS

2,722,137	A	*	11/1955	Russell	74/543
3,224,655	A	*	12/1965	Buchanan et al.	294/158
D299,612	S	*	1/1989	Bradley	D8/25
D384,866	S	*	10/1997	Tisbo et al.	D8/10
D398,818	S	*	9/1998	Tisbo et al.	D8/8
5,984,393	A	*	11/1999	Washington	294/53.5
D444,345	S	*	7/2001	Rae	D7/394

D487,010	S	*	2/2004	Marquardt et al.	D8/107
D488,046	S	*	4/2004	Marquardt et al.	D8/107
D514,917	S	*	2/2006	Coudurier	D8/107
D526,555	S	*	8/2006	Kelleghan	D8/107
7,270,223	B2	*	9/2007	Miller	190/115
D557,101	S	*	12/2007	Grishaber	D8/107
7,581,771	B2	*	9/2009	Rosine et al.	294/54.5
D664,020	S	*	7/2012	Kopp et al.	D8/107

* cited by examiner

Primary Examiner — Paula Greene

(74) *Attorney, Agent, or Firm* — Design IP

(57) **CLAIM**

The ornamental design for a handle for a tool, as shown and described.

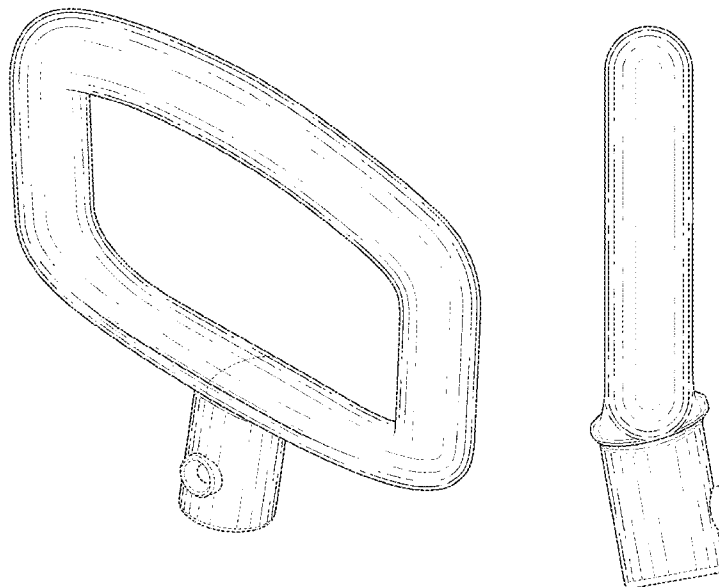
DESCRIPTION

This invention was made with government support under Award No. 2009-33610-19668 awarded by the National Institute of Food & Agriculture. The government has certain rights in the invention.

FIG. 1 is a perspective view of an embodiment of a handle for a tool showing our new design;
FIG. 2 is a front view thereof;
FIG. 3 is a rear view thereof;
FIG. 4 is a left side view thereof;
FIG. 5 is a right side view thereof;
FIG. 6 is a top view thereof;
FIG. 7 is a bottom view thereof; and,
FIG. 8 is a perspective view of a handle for a tool, the broken lines on the generic body of a tool form no part of the claimed design.

The dashed lines shown in FIGS. 1-8 are included for the purpose of illustrating environmental subject matter only and form no part of the claimed design.

1 Claim, 6 Drawing Sheets



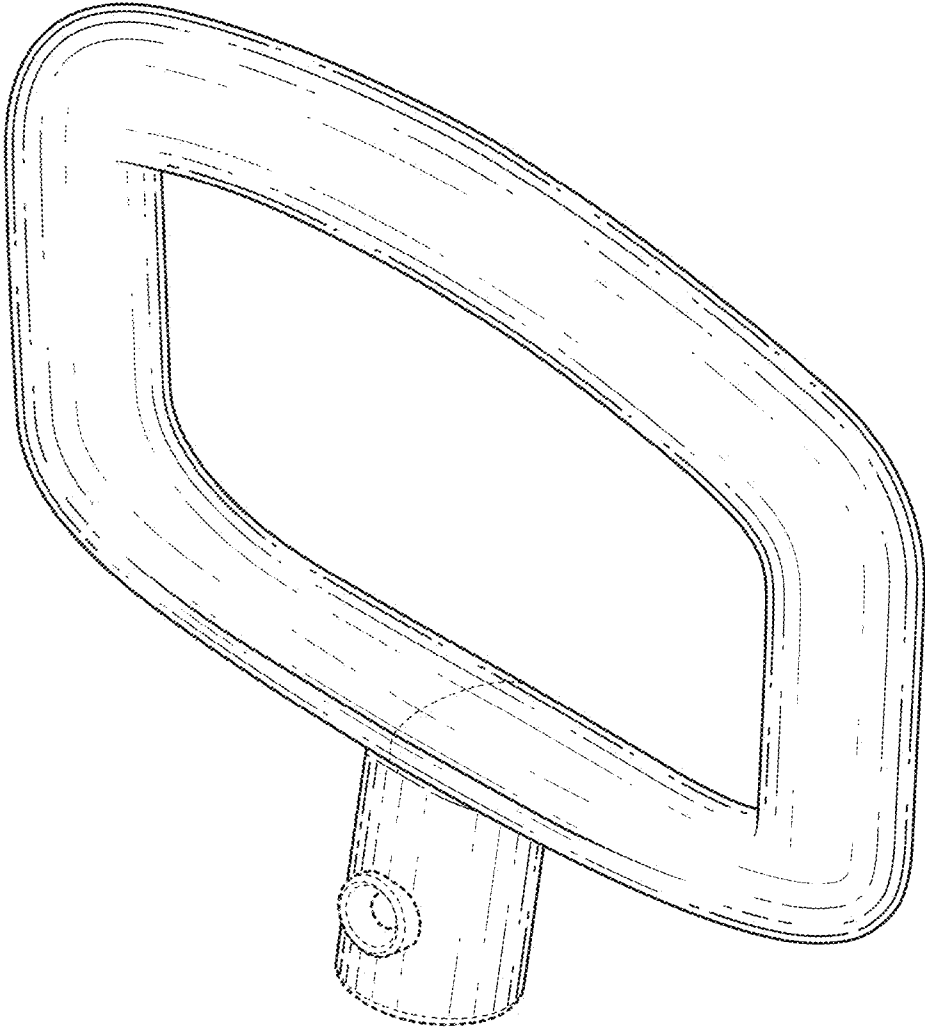


FIG. 1

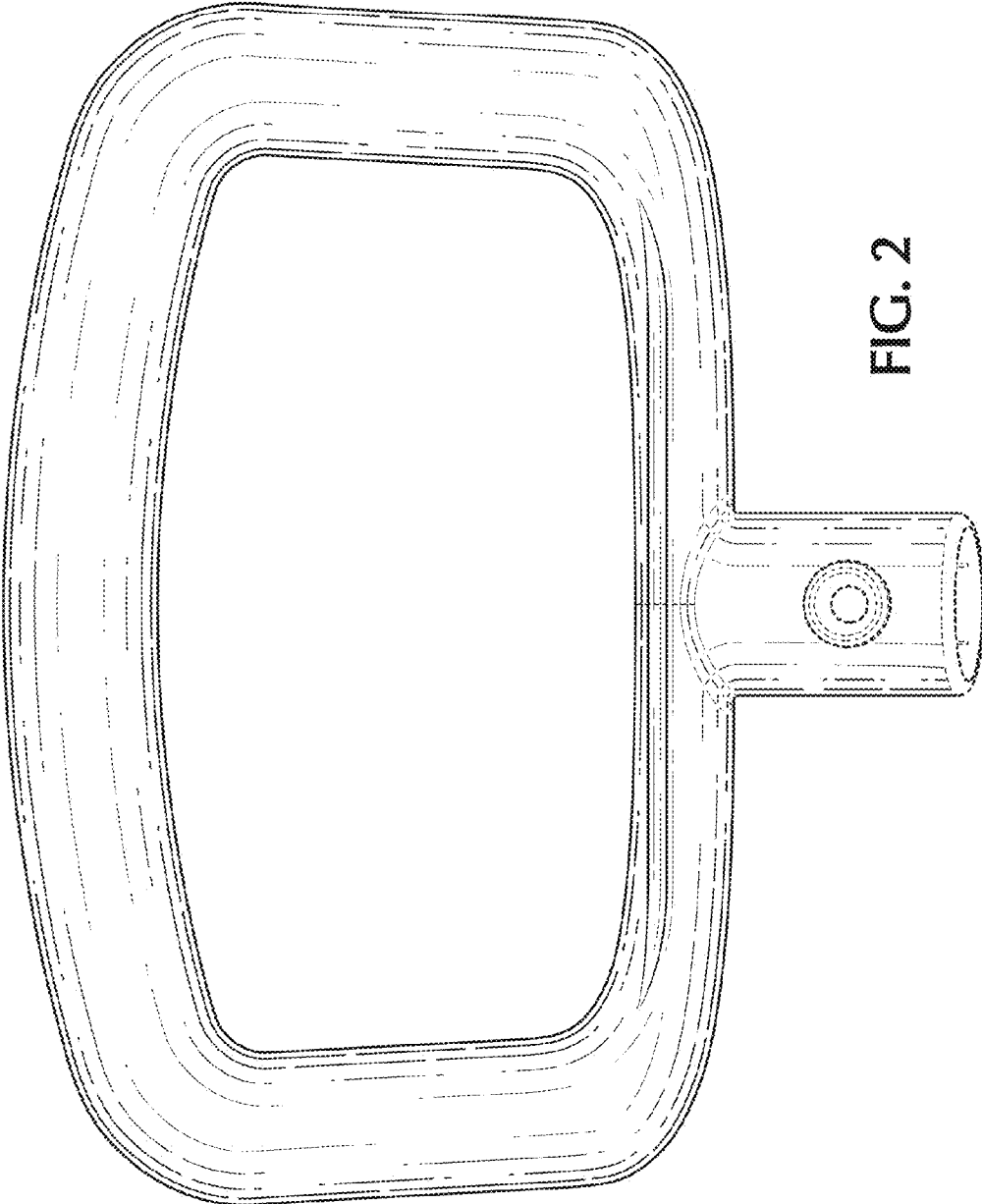


FIG. 2

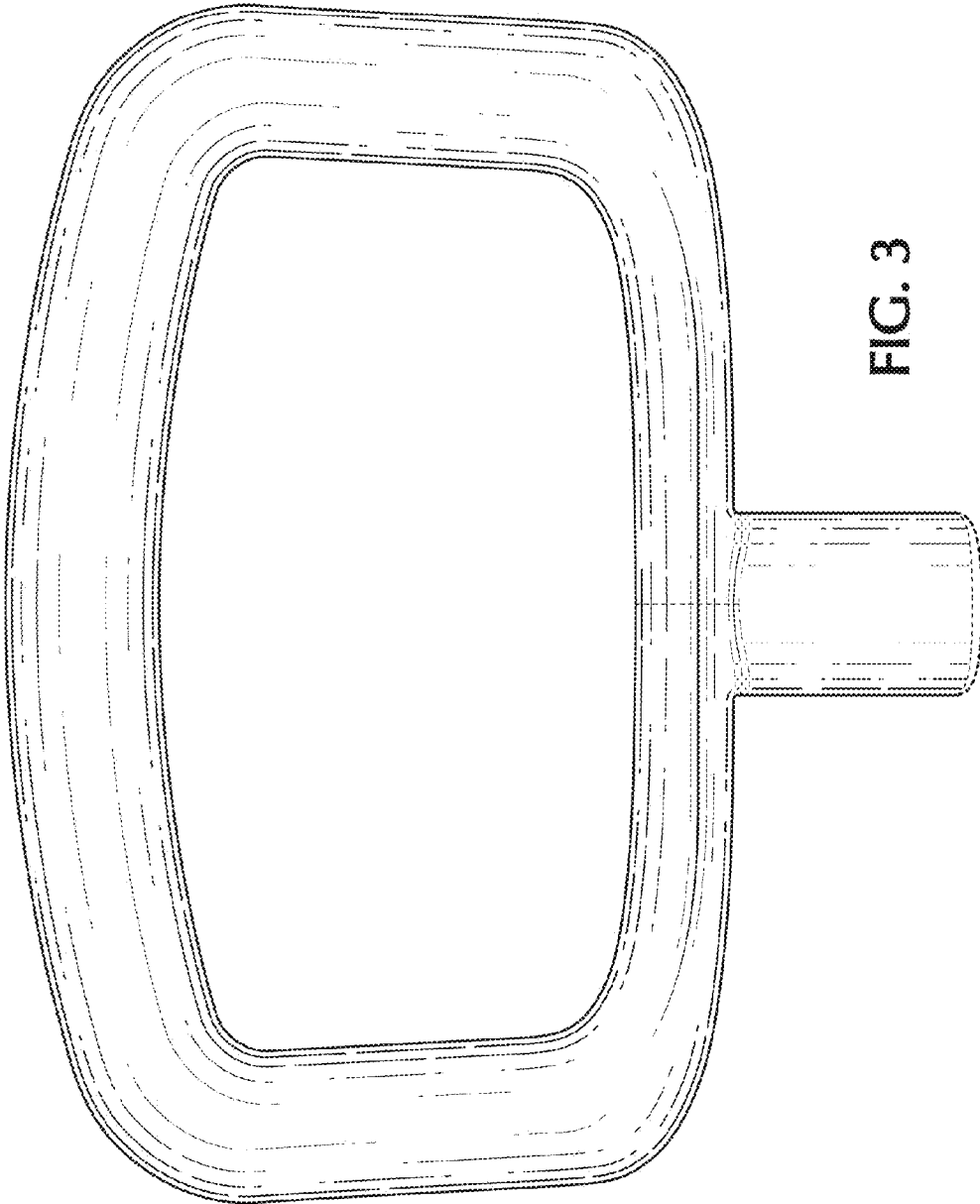


FIG. 3

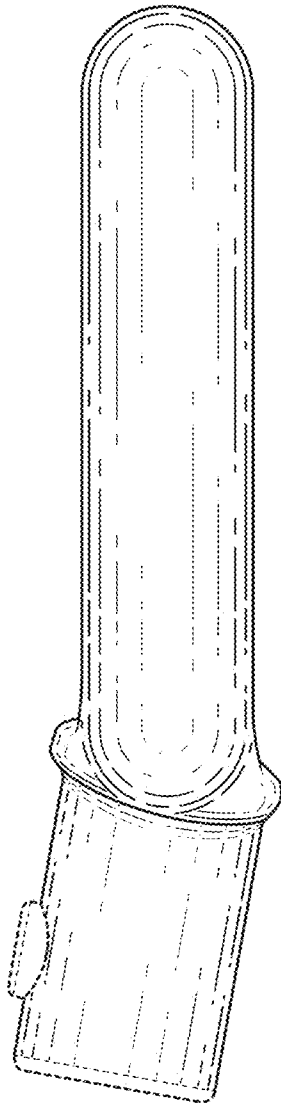


FIG. 4

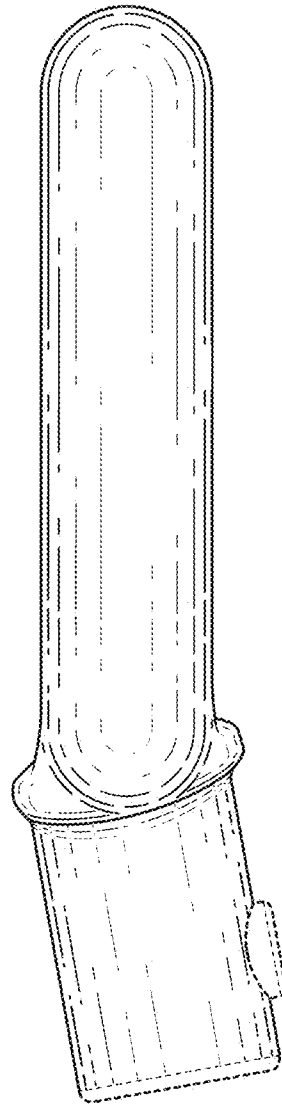


FIG. 5

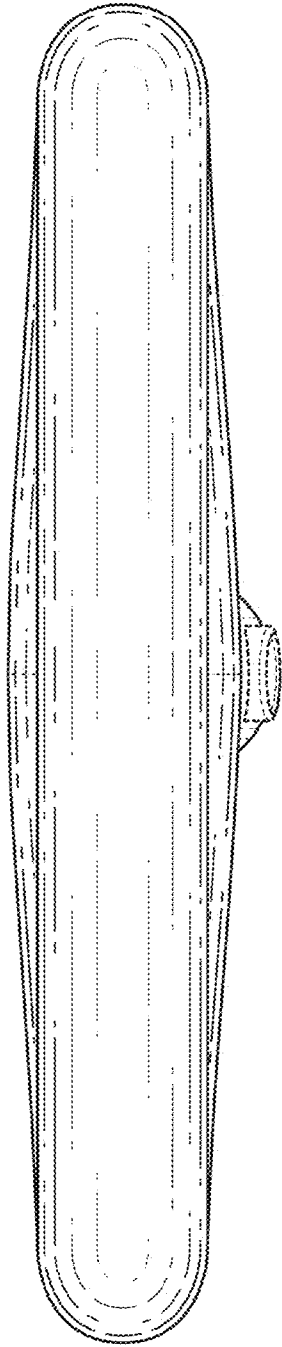


FIG. 6

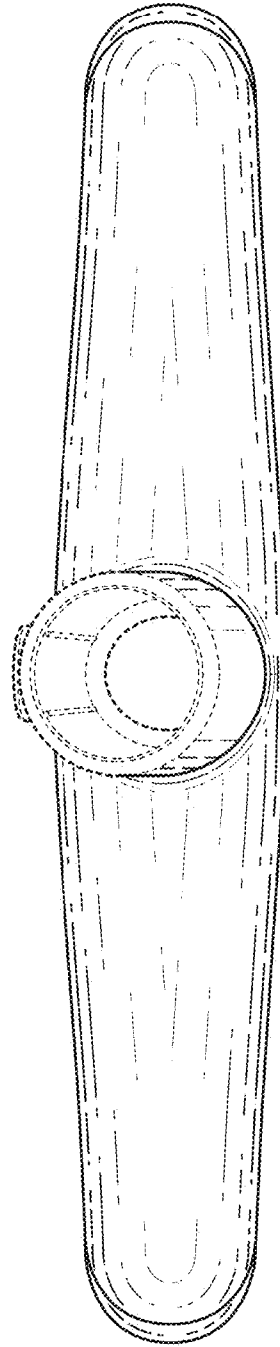


FIG. 7

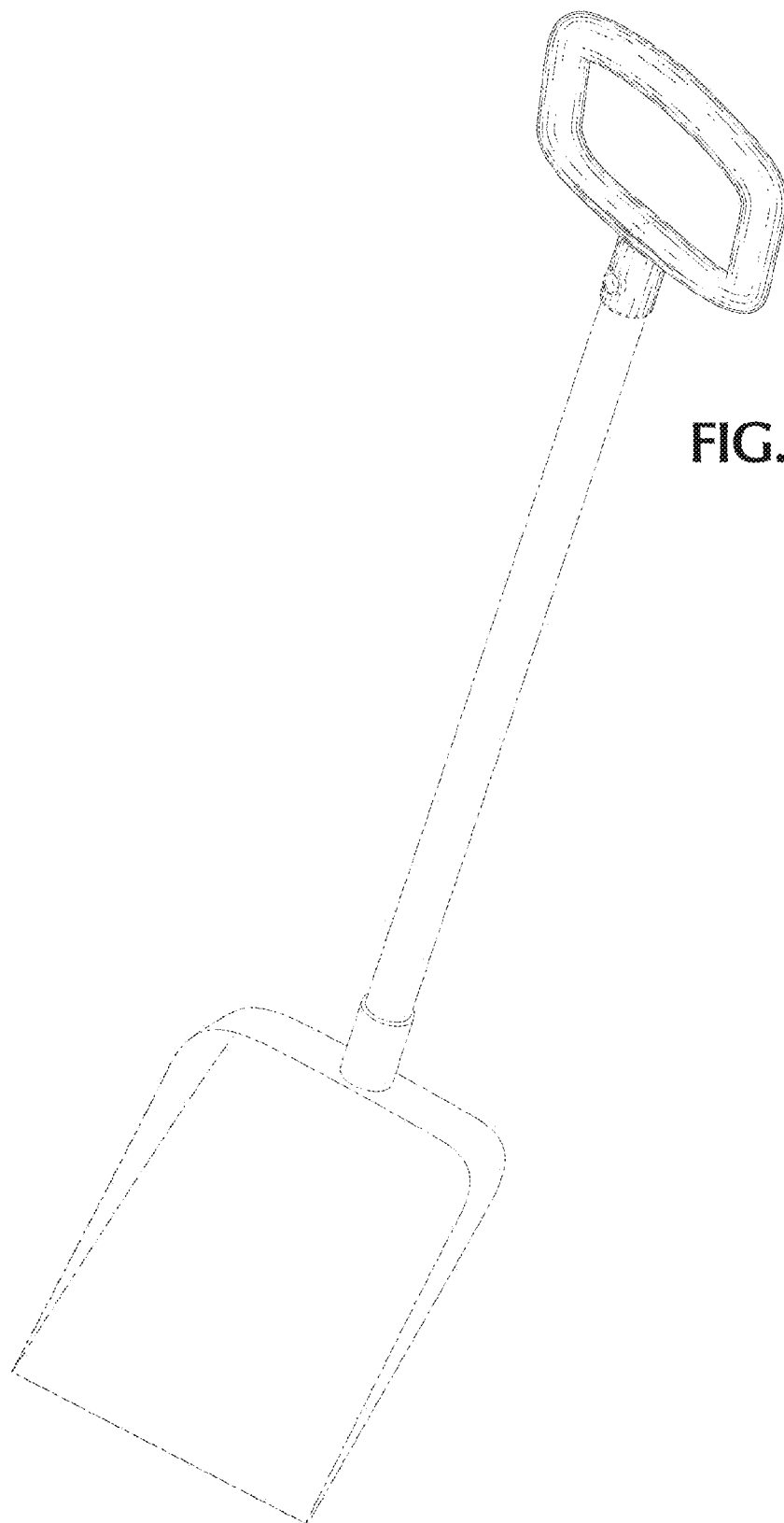


FIG. 8