



US00D723362S

(12) **United States Design Patent**
Bacon

(10) **Patent No.:** **US D723,362 S**

(45) **Date of Patent:** **** Mar. 3, 2015**

- (54) **SIDE LOADING PIPE HANGER**
- (71) Applicant: **Gripple Limited**, Sheffield (GB)
- (72) Inventor: **Matthew Bacon**, Sheffield (GB)
- (73) Assignee: **Gripple Limited** (GB)
- (**) Term: **14 Years**

7,909,021	B2 *	3/2011	Fujii	123/470
D653,103	S *	1/2012	Tomasi et al.	D8/396
D653,530	S *	2/2012	Hammond et al.	D8/396
D665,247	S *	8/2012	Hammond et al.	D8/396
2013/0310768	A1 *	11/2013	Ebara et al.	604/250

* cited by examiner

Primary Examiner — John Windmuller
(74) *Attorney, Agent, or Firm* — Clark Hill PLC

- (21) Appl. No.: **29/465,950**
- (22) Filed: **Sep. 3, 2013**
- (51) **LOC (10) Cl.** **08-08**
- (52) **U.S. Cl.**
USPC **D8/396**
- (58) **Field of Classification Search**
USPC D8/354, 355, 356, 371, 373, 376,
D8/394–396, 380, 382; 24/16 R, 20 R;
248/49, 58–62, 74.1–74.5, 73, 70,
248/228.8, 230.8; 47/32.4–32.6, 42
See application file for complete search history.

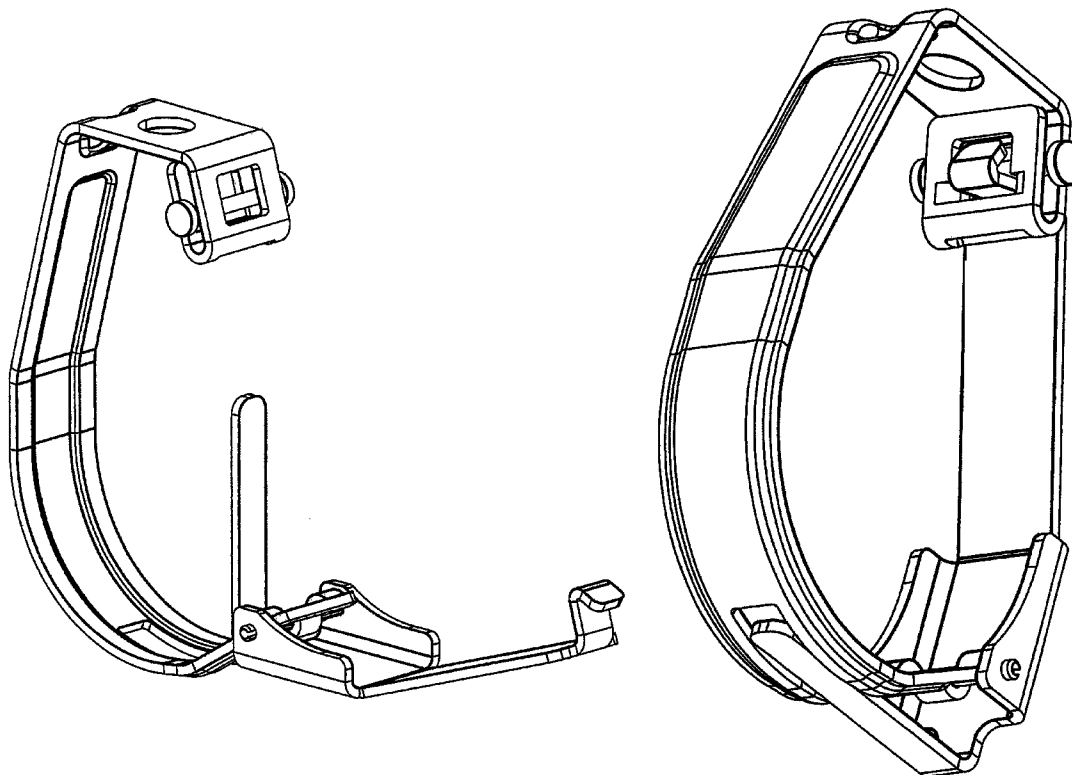
(57) **CLAIM**
The ornamental design for a side loading pipe hanger, as shown and described.

DESCRIPTION

FIG. 1 is a front view of the side loading pipe hanger in the open position;
 FIG. 2 is a side view of the side loading pipe hanger in the open position;
 FIG. 3 is a side view of the side loading pipe hanger in the closed position;
 FIG. 4 is a perspective front and top view of the side loading pipe hanger in the open position;
 FIG. 5 is a perspective front and top view of the side loading pipe hanger in the closed position;
 FIG. 6 is a perspective rear and bottom view of the side loading pipe hanger in the open position; and,
 FIG. 7 is a perspective rear and bottom view of the side loading pipe hanger in the closed position.

- (56) **References Cited**
U.S. PATENT DOCUMENTS
D187,842 S * 5/1960 Jeys D3/16
4,783,029 A * 11/1988 Geppert et al. 248/74.1
6,138,960 A * 10/2000 Carbonare et al. 248/62
D449,210 S * 10/2001 Fange D8/72
D625,586 S * 10/2010 Kramer D8/380

1 Claim, 7 Drawing Sheets



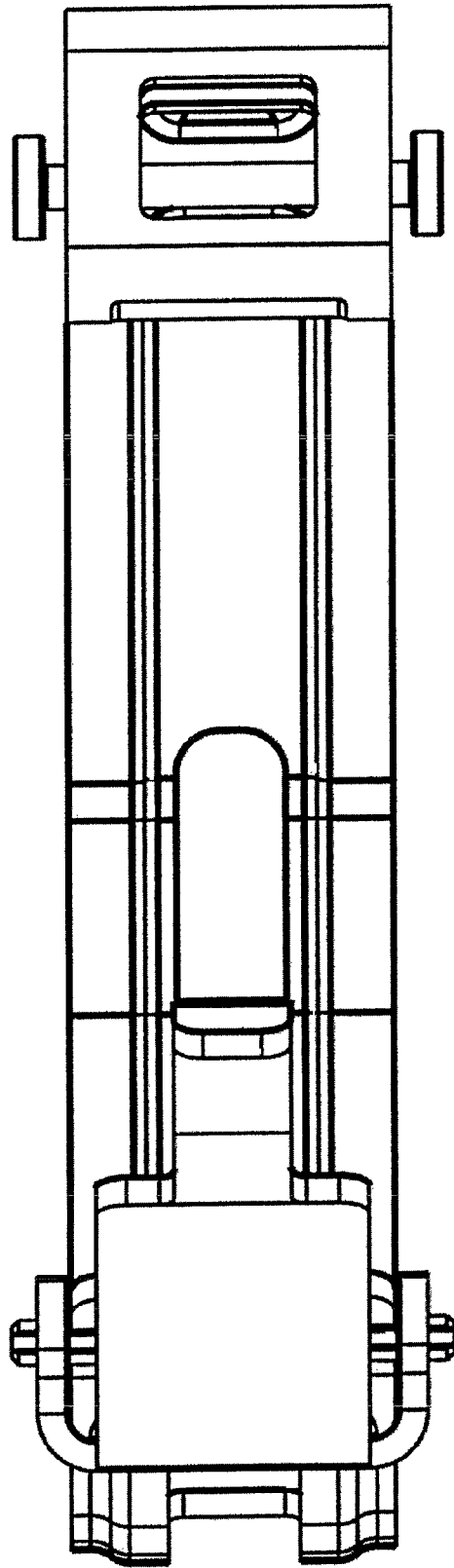


FIGURE 1

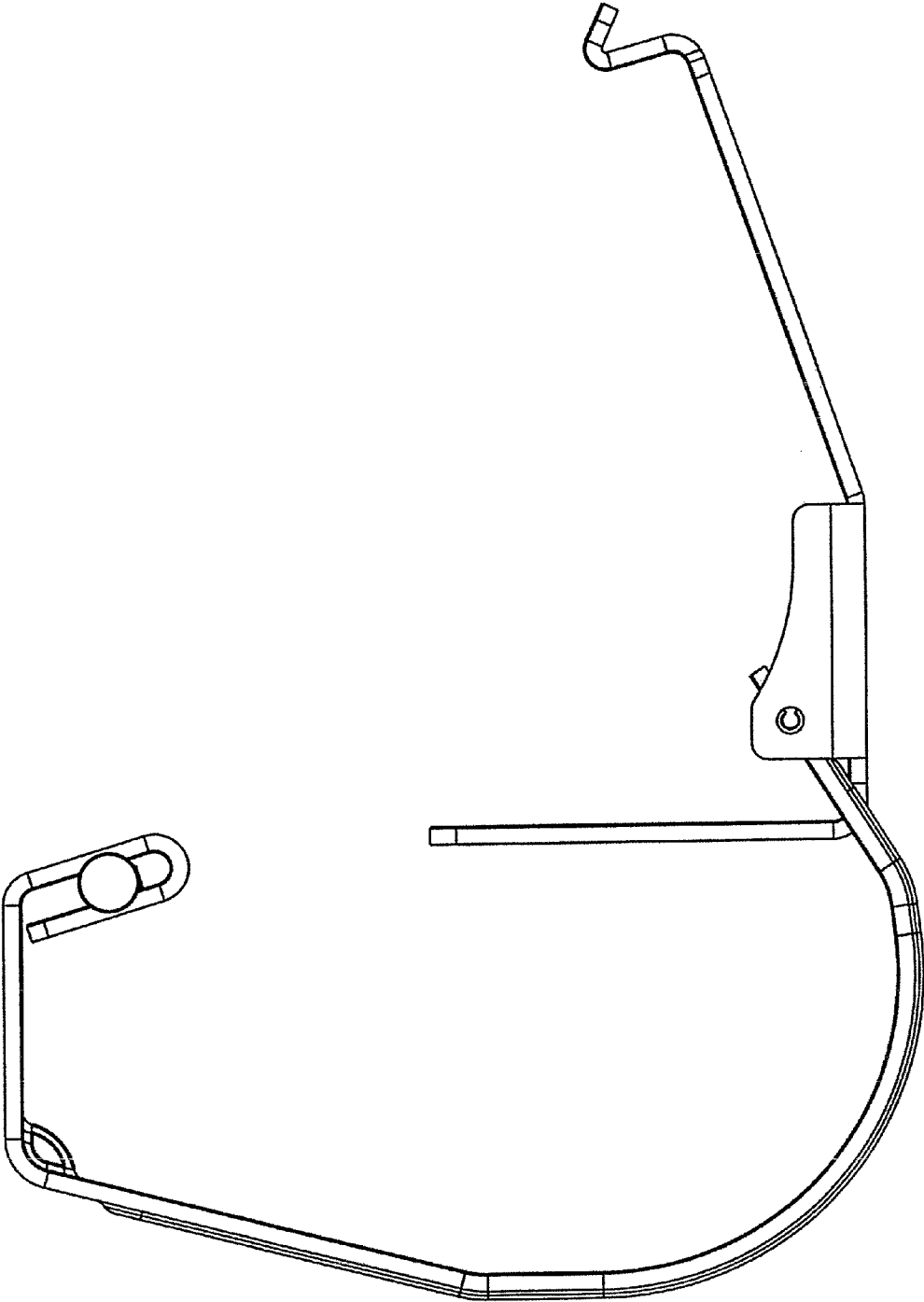


FIGURE 2

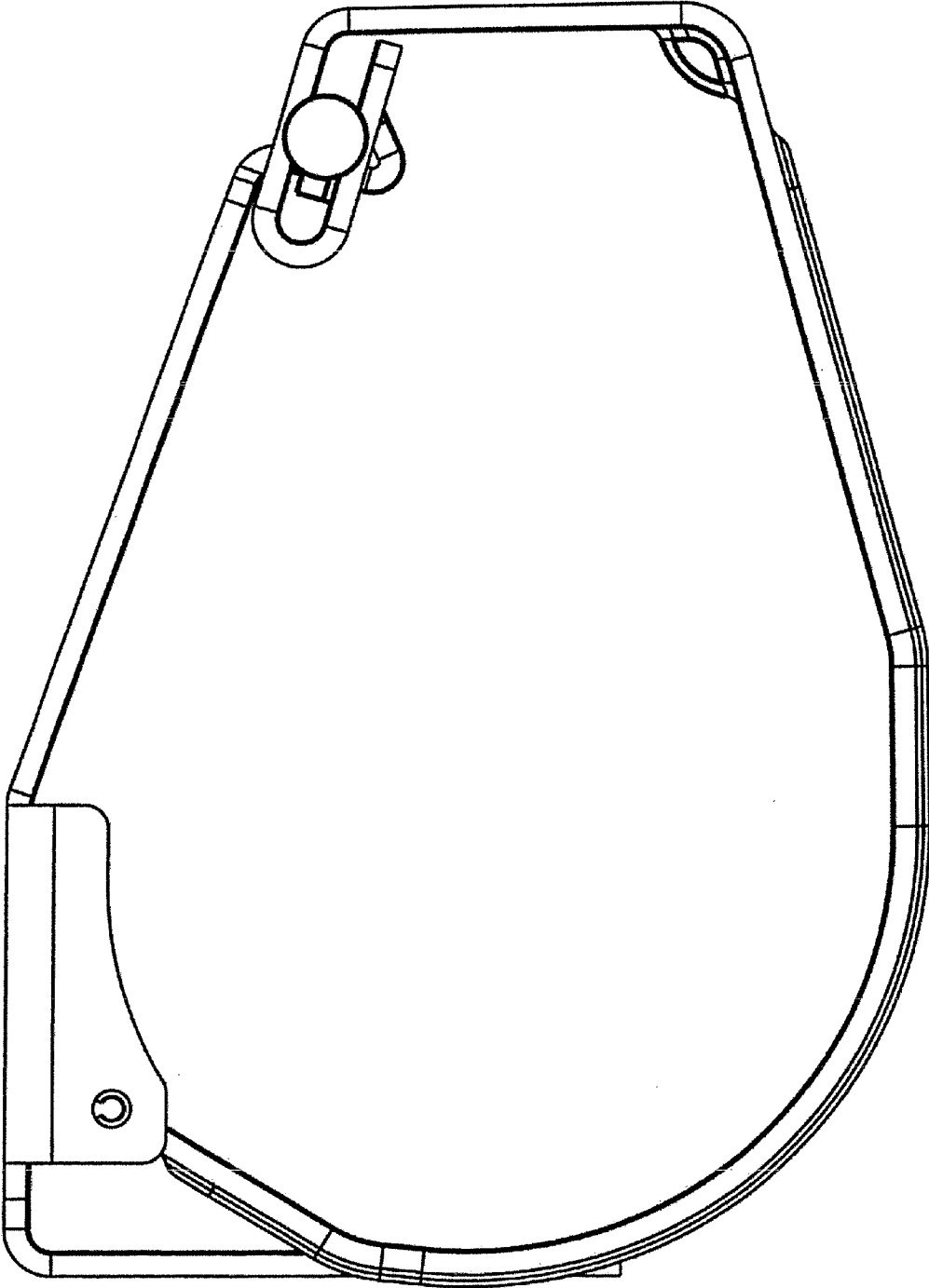


FIGURE 3

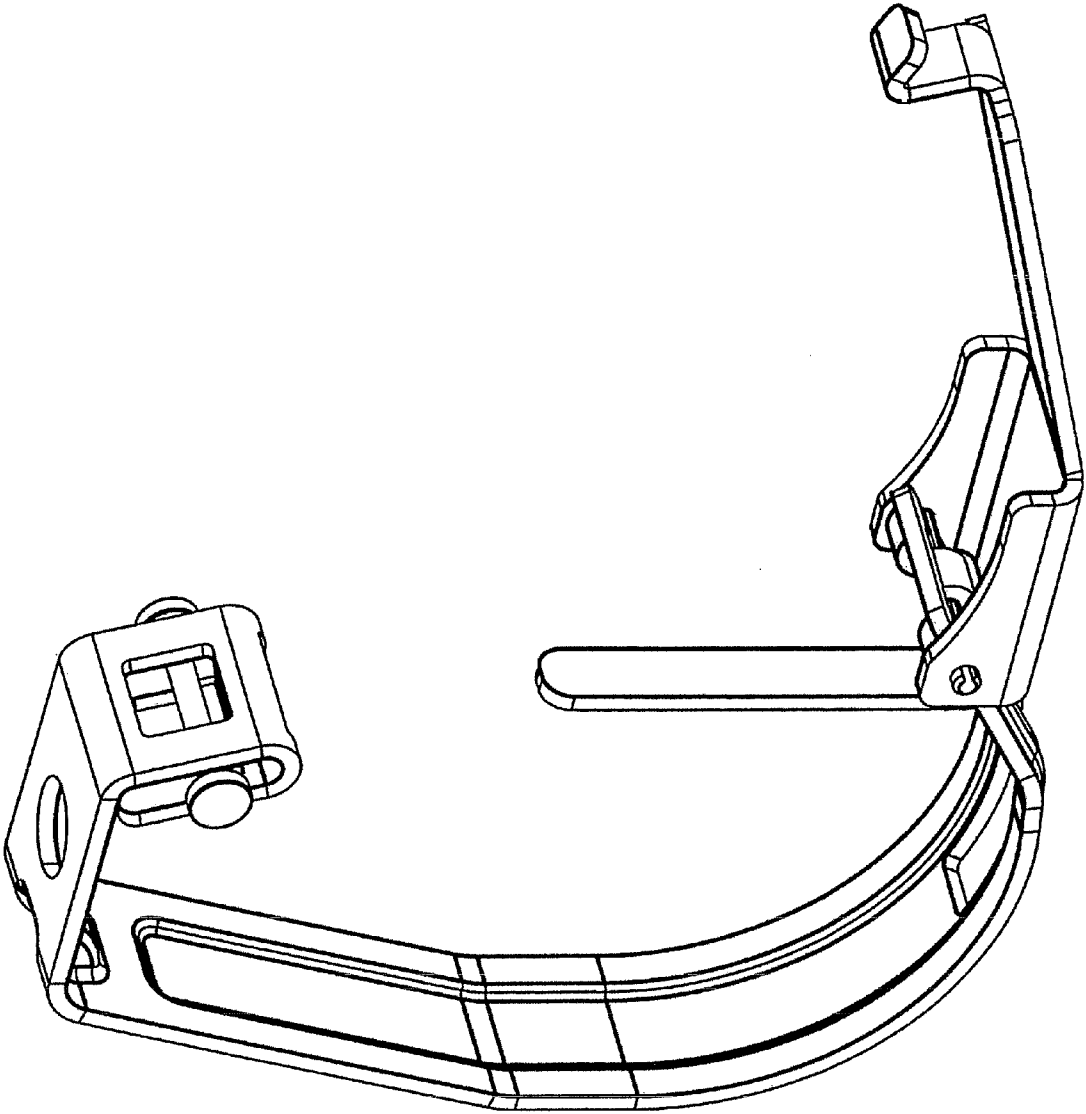


FIGURE 4

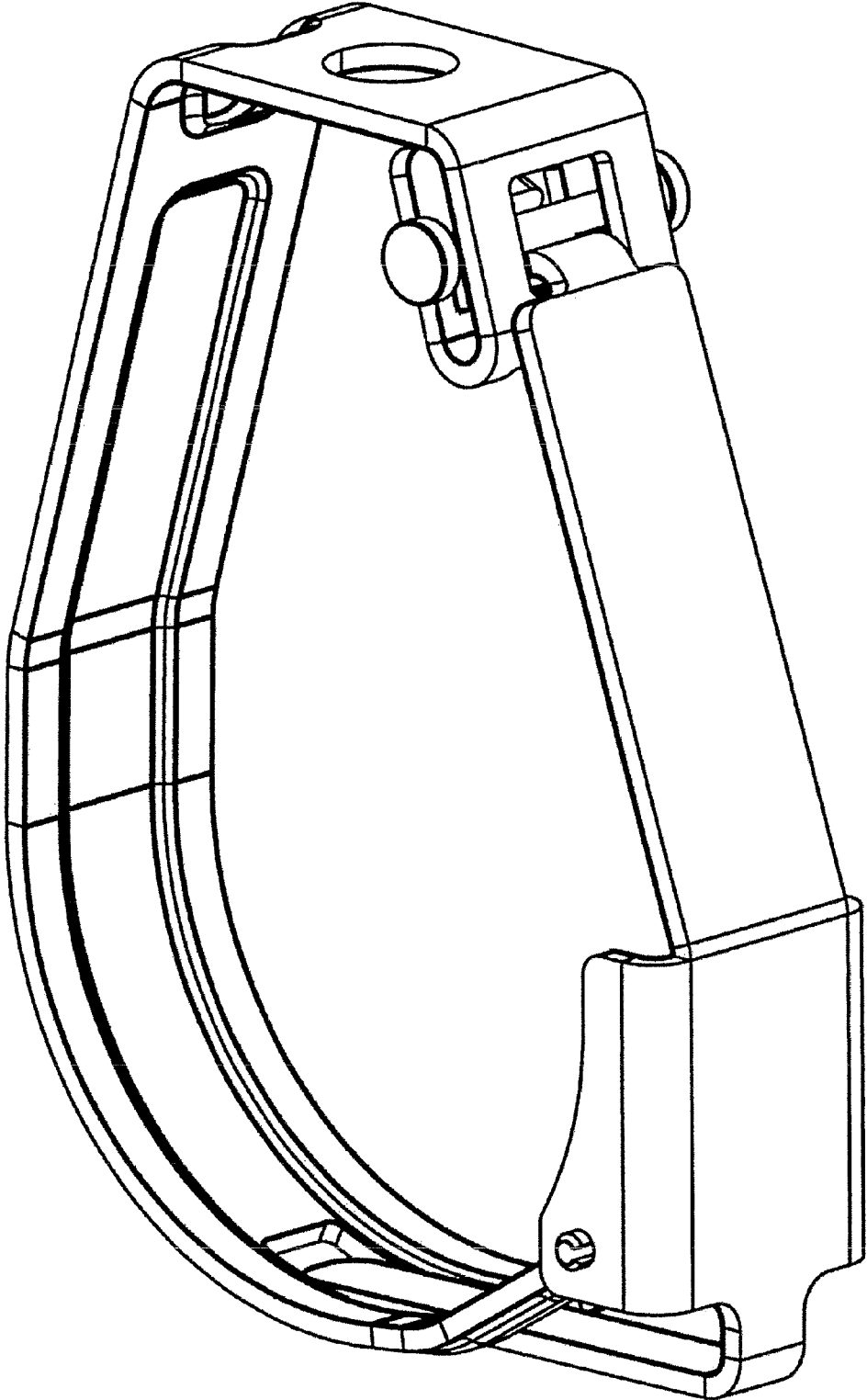


FIGURE 5

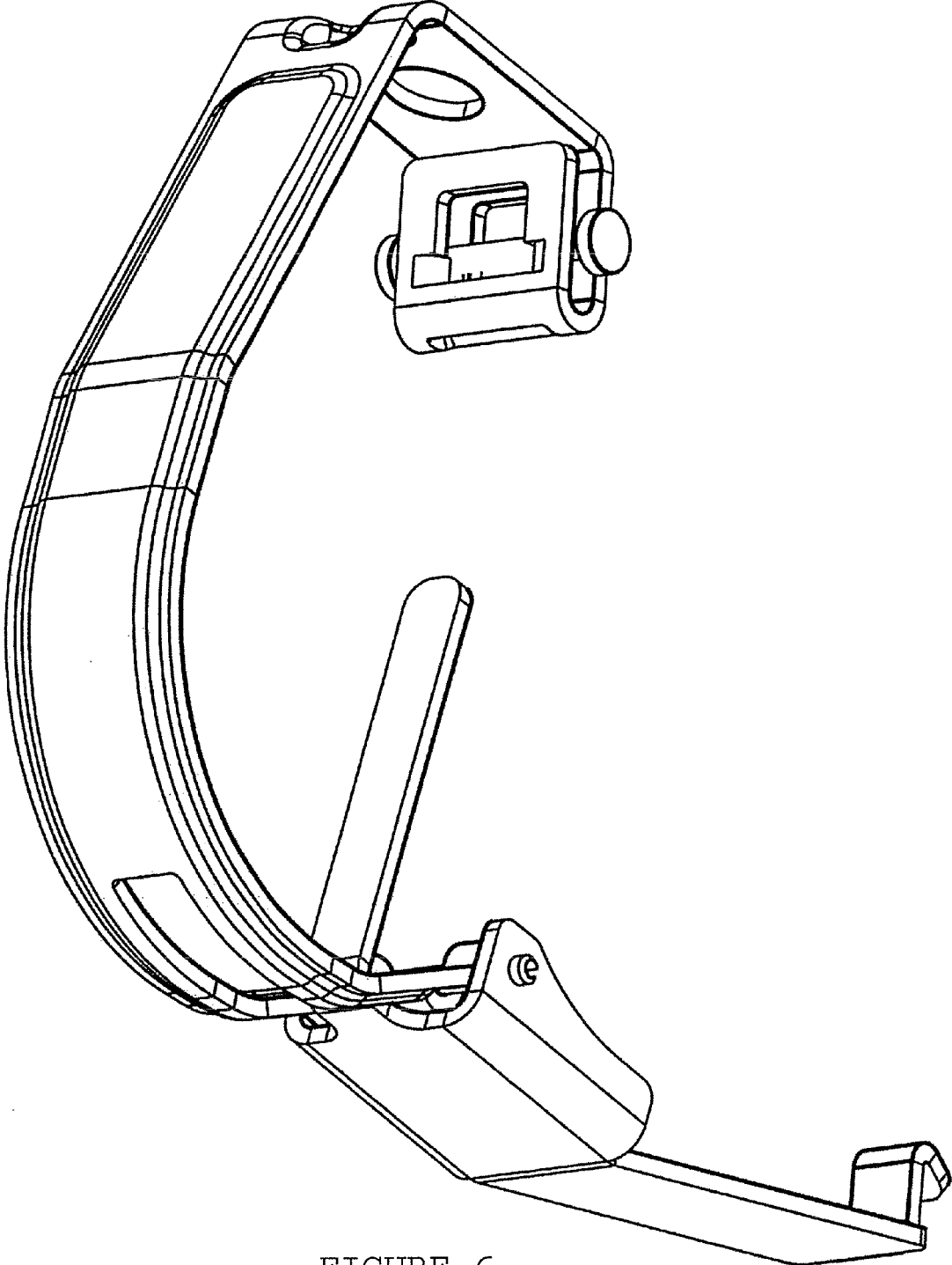


FIGURE 6

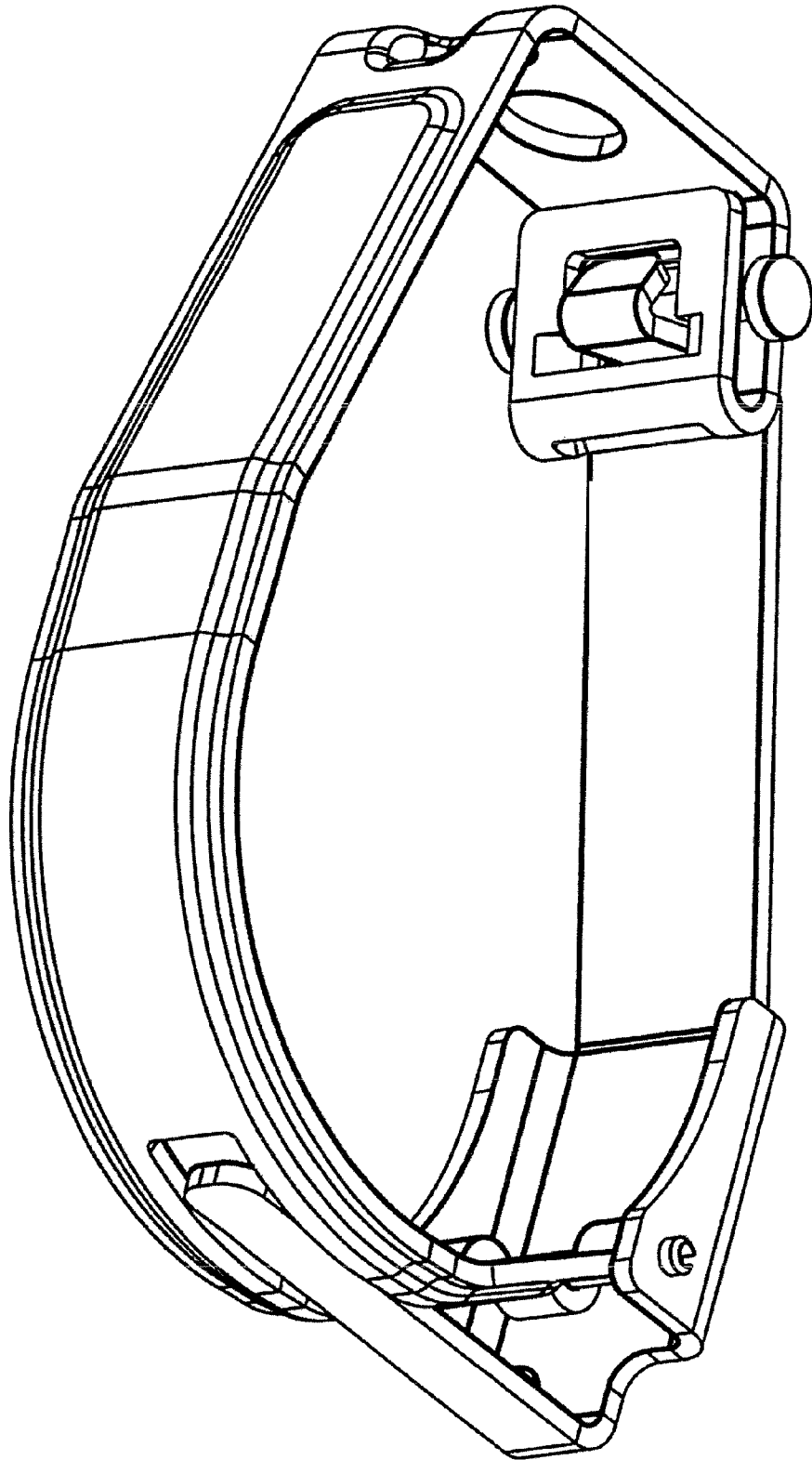


FIGURE 7