



US00D735340S

(12) **United States Design Patent**
Meinertz

(10) **Patent No.:** **US D735,340 S**

(45) **Date of Patent:** **** Jul. 28, 2015**

(54) **HEARING AID**

(74) *Attorney, Agent, or Firm* — Vista IP Law Group, LLP

(71) Applicant: **GN ReSound A/S**, Ballerup (DK)

(57) **CLAIM**

The ornamental design for a hearing aid, as shown and described.

(72) Inventor: **Philip Meinertz**, Gentofte (DK)

(73) Assignee: **GN RESOUND A/S**, Ballerup (DK)

DESCRIPTION

(**) Term: **14 Years**

FIG. 1 is a side view of a hearing aid of my design;
FIG. 2 is another side view of the hearing aid of my design;
FIG. 3 is a perspective view of the hearing aid of my design;
FIG. 4 is another perspective view of the hearing aid of my design;

(21) Appl. No.: **29/494,015**

FIG. 5 is another perspective view of the hearing aid of my design;

(22) Filed: **Jun. 16, 2014**

FIG. 6 is another perspective view of the hearing aid of my design;

(30) **Foreign Application Priority Data**

Dec. 30, 2013 (EM) 002378877

FIG. 7 is another perspective view of the hearing aid of my design;

(51) **LOC (10) Cl.** **24-99**

(52) **U.S. Cl.**

USPC **D24/174**

FIG. 8 is another side view of the hearing aid of my design;

(58) **Field of Classification Search**

USPC D24/173-175, 151; D14/205, 206,

D14/223-226, 249; 381/23.1, 312,

381/322-324, 328, 330, 380, 381; 181/135

See application file for complete search history.

FIG. 9 is another perspective view of the hearing aid of my design, showing the hearing aid with a tube and earpiece;

FIG. 10 is another perspective view of the hearing aid of my design, showing the hearing aid with a tube and earpiece;

FIG. 11 is another side view of the hearing aid of my design, showing the hearing aid with a tube and earpiece;

FIG. 12 is another side view of the hearing aid of my design, showing the hearing aid with a tube and earpiece;

FIG. 13 is another side view of the hearing aid of my design, showing the hearing aid with a tube and earpiece;

FIG. 14 is another perspective view of the hearing aid of my design, showing the hearing aid with a tube and earpiece; and,

FIG. 15 is another side view of the hearing aid of my design, showing the hearing aid with a tube and earpiece.

The broken lines in the FIGS. 9 and 15 views are directed to environmental structures and form no part of the claimed design.

(56) **References Cited**

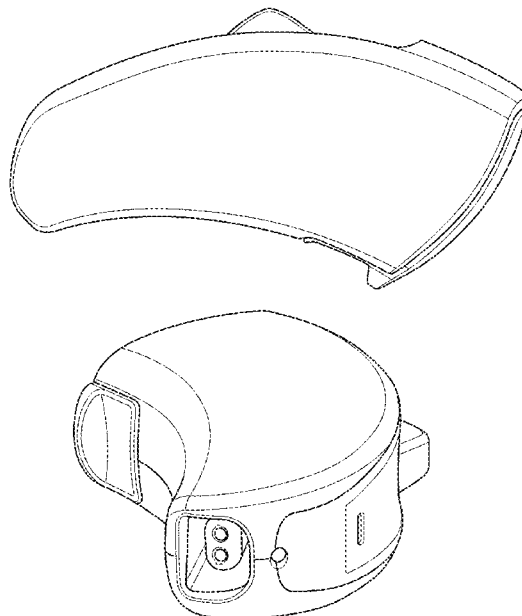
U.S. PATENT DOCUMENTS

D646,788	S	*	10/2011	Dubs et al.	D24/174
D667,121	S	*	9/2012	Mori et al.	D24/174
D676,558	S	*	2/2013	Meinertz	D24/174
D676,968	S	*	2/2013	Meinertz	D24/174
D685,912	S	*	7/2013	Havn et al.	D24/174
D687,952	S	*	8/2013	Dubs	D24/174
D698,024	S	*	1/2014	Meinertz	D24/174

(Continued)

Primary Examiner — Anhdao Doan

1 Claim, 8 Drawing Sheets



US D735,340 S

Page 2

(56)

References Cited

U.S. PATENT DOCUMENTS

D705,936 S *	5/2014	Lockenwitz	D24/174	
2010/0111315 A1 *	5/2010	Kroman	381/60	
D698,027 S *	1/2014	Olsen	D24/174	* cited by examiner

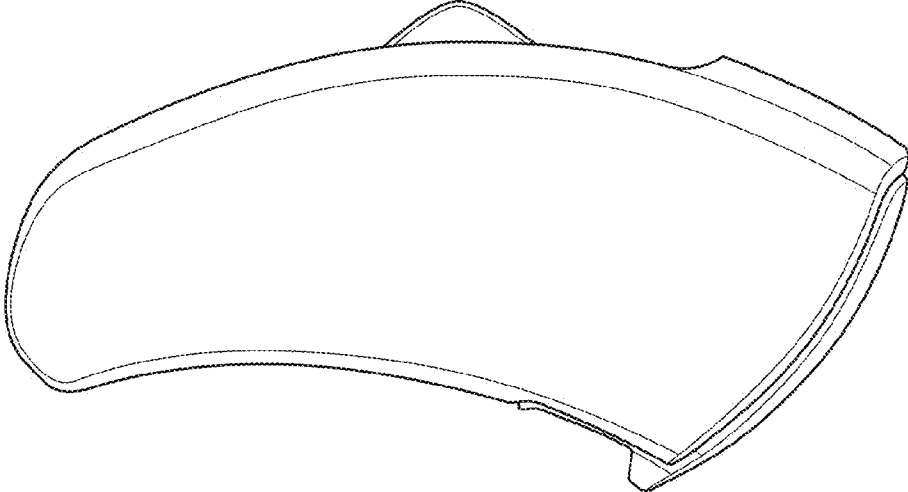


FIG. 1

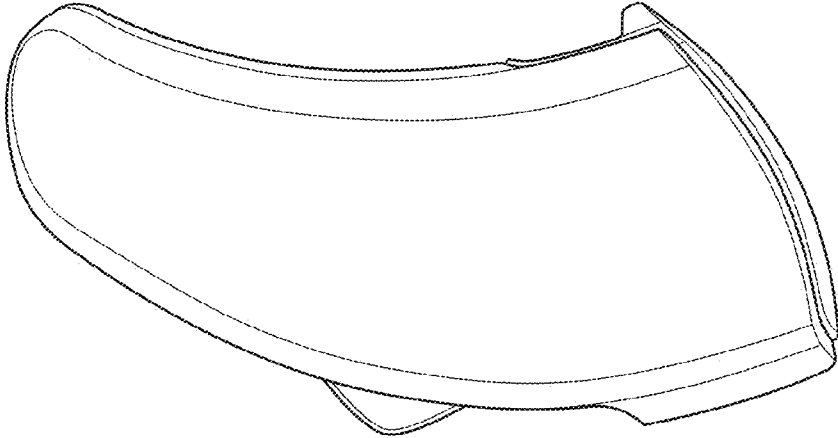


FIG. 2

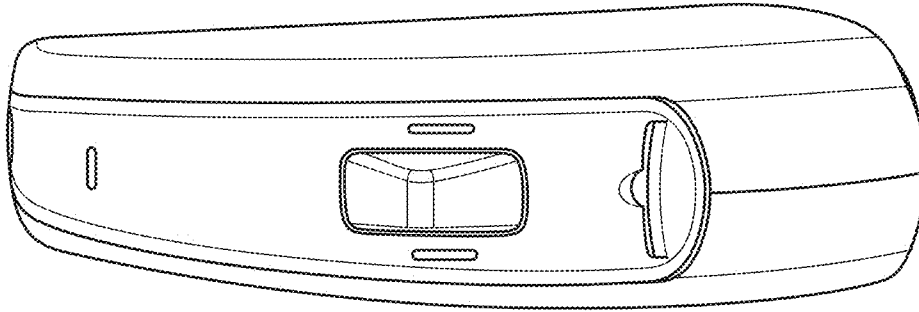


FIG. 3

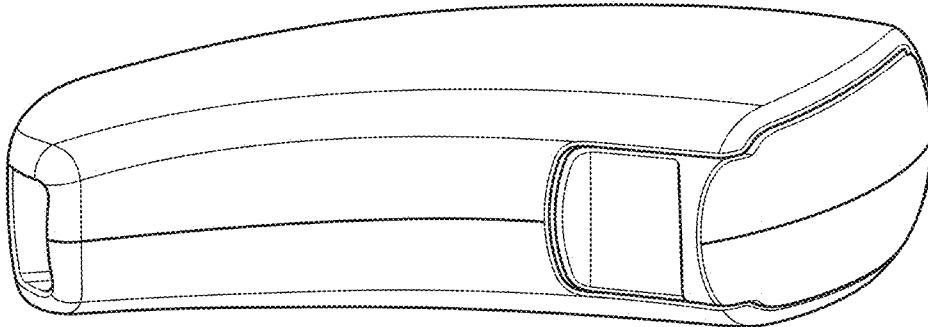


FIG. 4

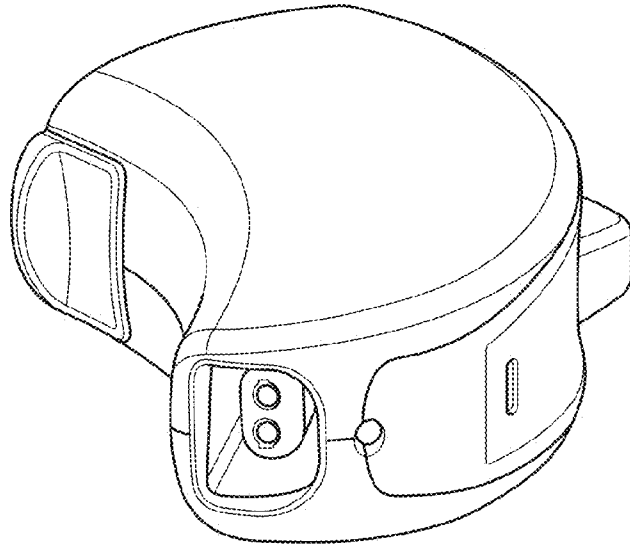


FIG. 5

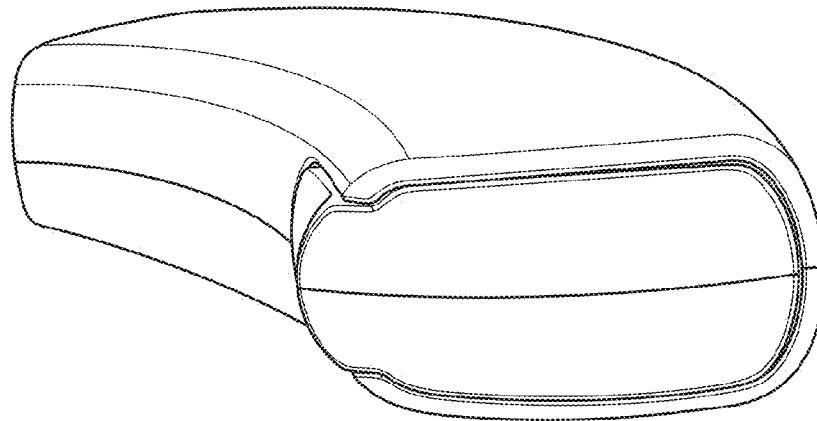


FIG. 6

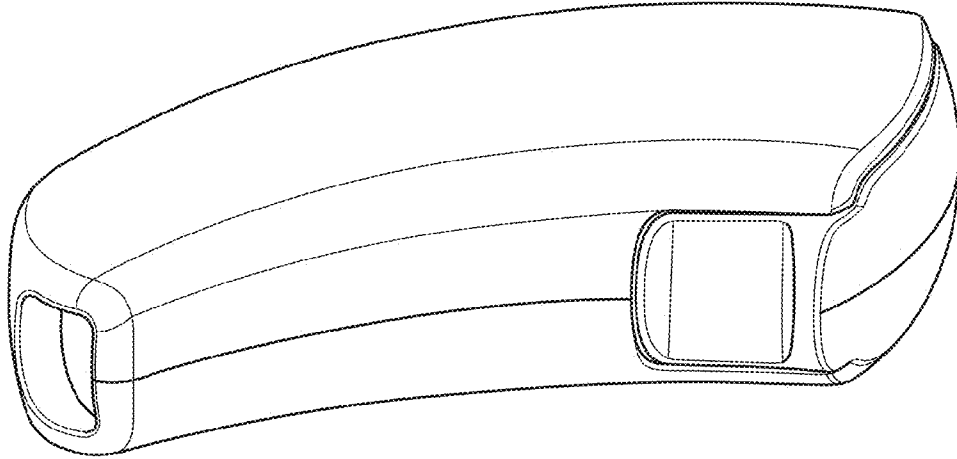


FIG. 7

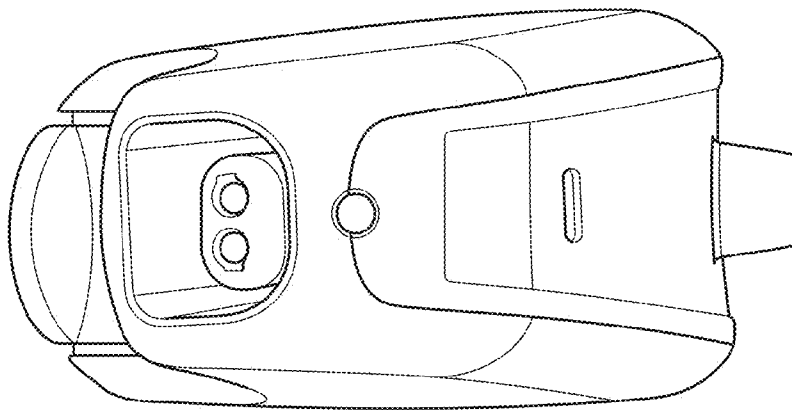


FIG. 8

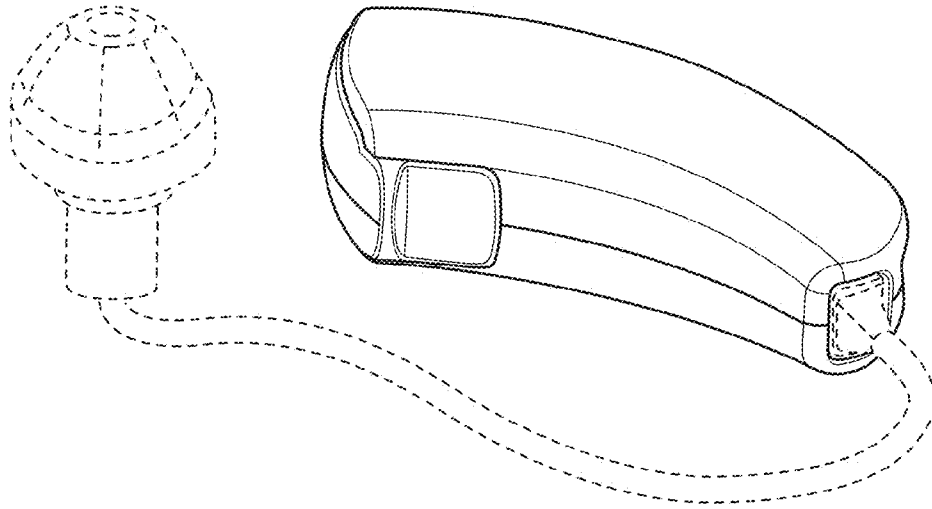


FIG. 9

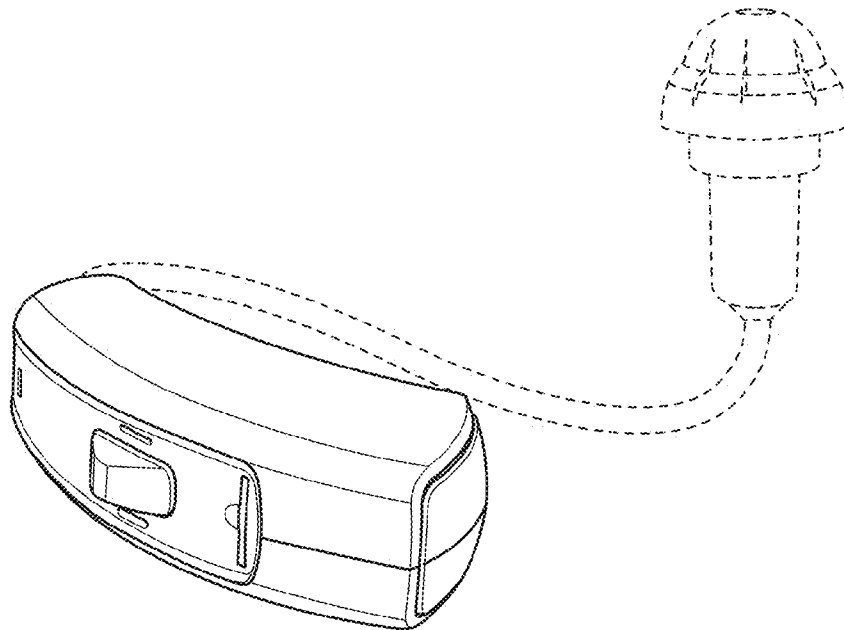


FIG. 10

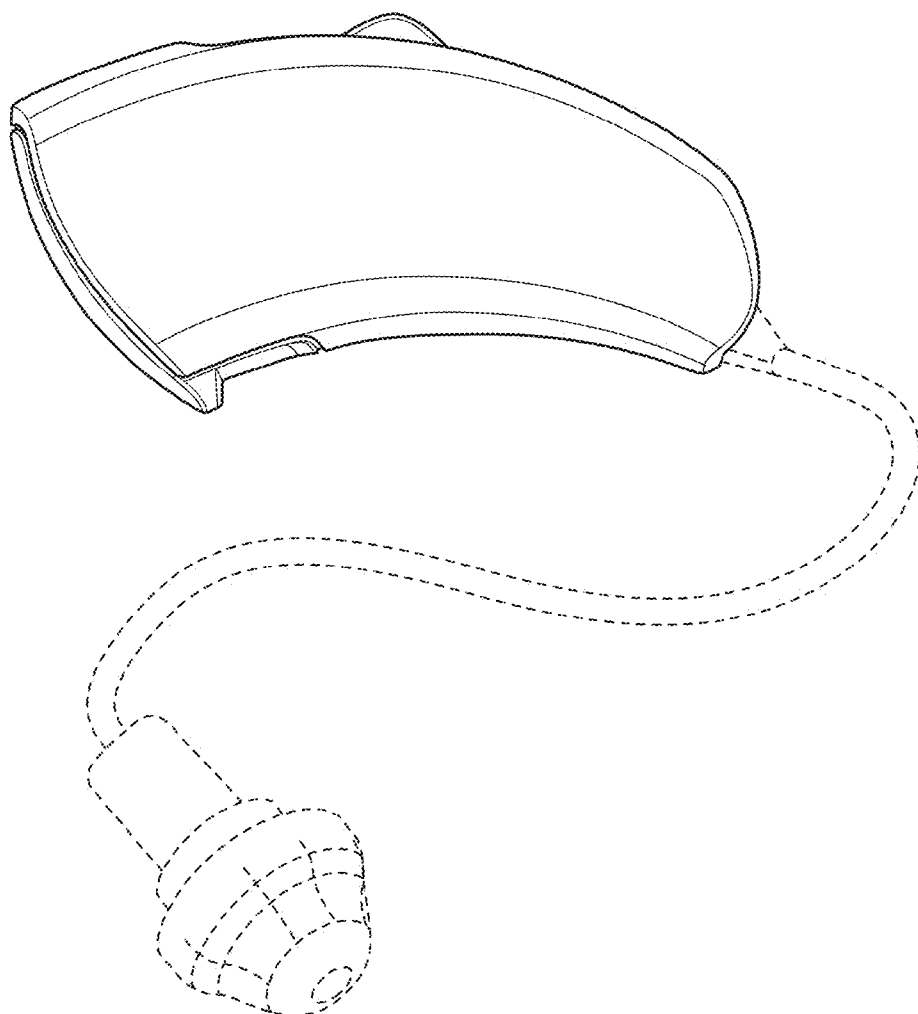


FIG. 11

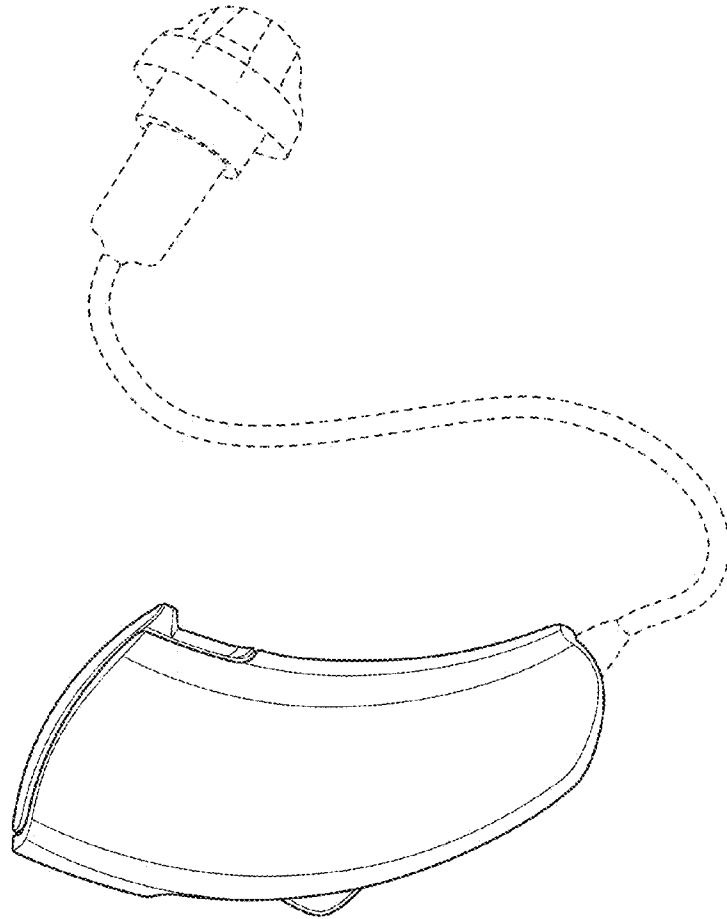


FIG. 12

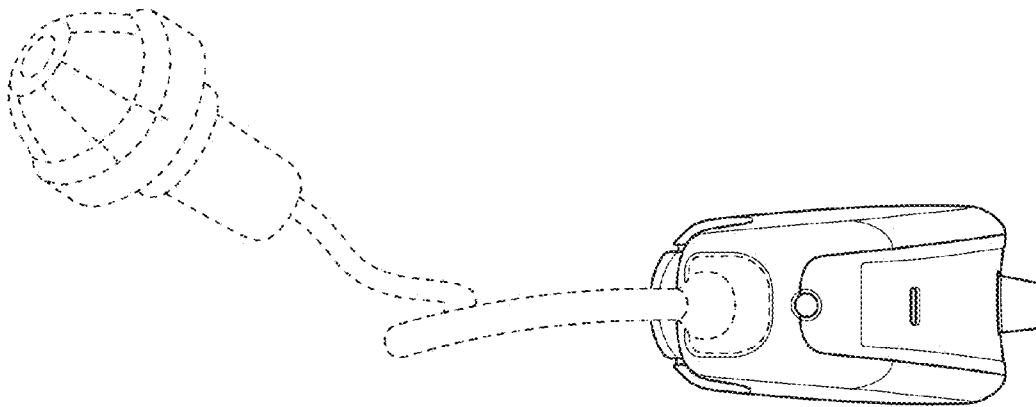


FIG. 13

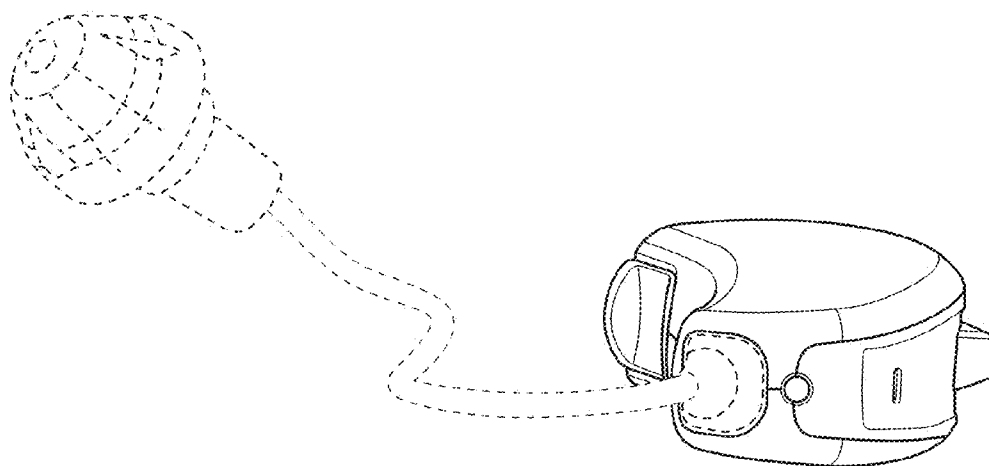


FIG. 14

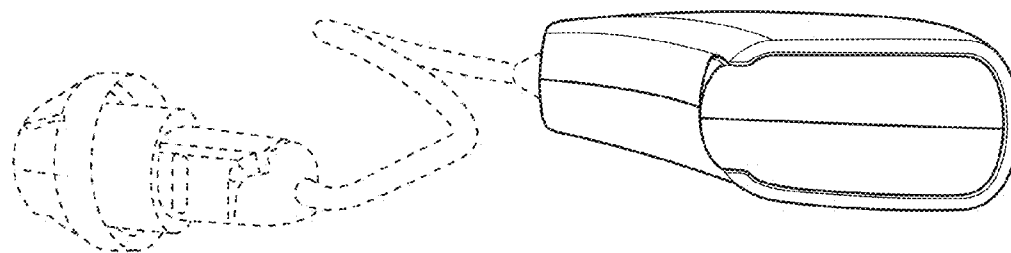


FIG. 15