



(12) **United States Design Patent**  
**Jacobsthal et al.**

(10) **Patent No.:** **US D846,368 S**  
(45) **Date of Patent:** **\*\* Apr. 23, 2019**

- (54) **AGRICULTURAL MACHINE FRONT CONSOLE**
- (71) Applicant: **CNH Industrial America LLC**, New Holland, PA (US)
- (72) Inventors: **Eric M. Jacobsthal**, Elmhurst, IL (US); **Dwayne St. George Jackson**, Lake Orion, MI (US); **David C. Sachtleben**, Lititz, PA (US); **David M. Wilkie**, Turin (IT); **Jesse W. Gonzales**, Fairfax, VA (US)
- (73) Assignee: **CNH Industrial America LLC**, New Holland, PA (US)
- (\*\*) Term: **15 Years**
- (21) Appl. No.: **29/637,358**
- (22) Filed: **Feb. 16, 2018**
- (51) **LOC (11) Cl.** ..... **08-08**
- (52) **U.S. Cl.**  
USPC ..... **D8/354**
- (58) **Field of Classification Search**  
USPC ..... D15/17, 28, 14, 15, 22-26, 31, 33; D12/192; 180/69.24, 69.2, 69.21, 90, 180/89.12, 900; 296/70, 30, 72, 191, 296/198, 193.03  
CPC ..... B62D 49/00; B60K 37/00; B60K 37/02; B60K 37/04; B60K 2350/928; B60Y 2200/22  
See application file for complete search history.

D365,574	S *	12/1995	Westimayer	.....	D15/17
D427,613	S *	7/2000	Altmann	.....	D15/28
D459,734	S *	7/2002	Hohnl	.....	D15/28
6,499,550	B2 *	12/2002	Matsuda	.....	B60K 37/00
					180/90
D471,564	S *	3/2003	Hohnl	.....	D15/28
D549,739	S *	8/2007	Stephens	.....	D15/28
D584,321	S *	1/2009	Matsumoto	.....	D15/17
D594,885	S *	6/2009	Kuwaie	.....	D15/17
D652,063	S *	1/2012	Takeuchi	.....	D15/28
D652,433	S *	1/2012	Takeuchi	.....	D15/28
D685,006	S *	6/2013	Hagura	.....	D15/17
8,474,562	B2 *	7/2013	Elhardt	.....	B60K 37/00
					180/89.12
D692,466	S *	10/2013	Takagi	.....	D15/17
D707,722	S *	6/2014	Higashikawa	.....	D15/15
D718,343	S *	11/2014	Carter	.....	D15/28
D754,211	S *	4/2016	Moore	.....	D15/28
D819,706	S *	6/2018	Diebold	.....	D15/28
D822,071	S *	7/2018	Jacobsthal	.....	D15/28
2002/0043414	A1 *	4/2002	Matsuda	.....	B60K 37/00
					180/90
2013/0062904	A1 *	3/2013	Elhardt	.....	B60K 37/00
					296/70

\* cited by examiner

*Primary Examiner* — Mark A Goodwin  
(74) *Attorney, Agent, or Firm* — Rickard K. DeMille; Rebecca L. Henkel

(57) **CLAIM**

The ornamental design for an agricultural machine front console, as shown and described.

**DESCRIPTION**

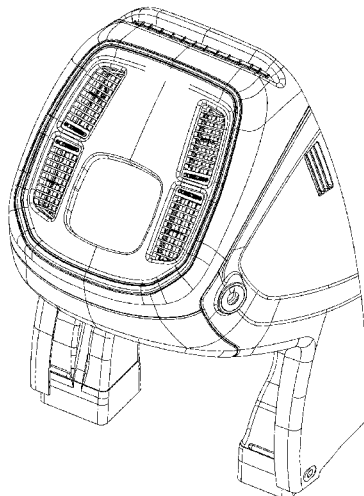
FIG. 1 is a perspective view of an agricultural machine front console of the present design; FIG. 2 is a front view thereof; FIG. 3 is a side view thereof; FIG. 4 is an opposite side view thereof; and, FIG. 5 is a top view thereof.

**1 Claim, 5 Drawing Sheets**

(56) **References Cited**

U.S. PATENT DOCUMENTS

D256,018	S *	7/1980	Stone	.....	D12/192
4,447,860	A *	5/1984	Stone	.....	B62D 33/0617
					180/90
D326,662	S *	6/1992	Holm	.....	D15/17



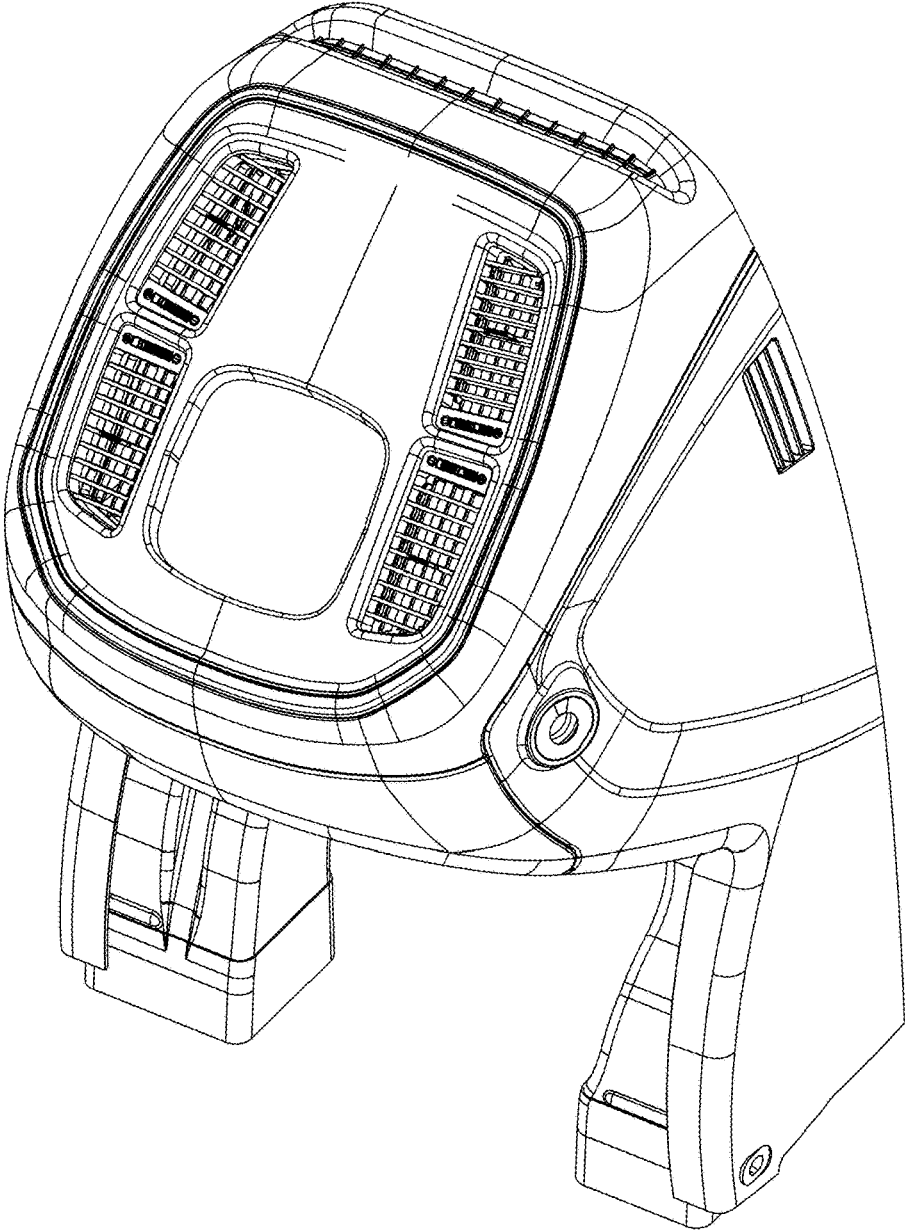


FIG. 1

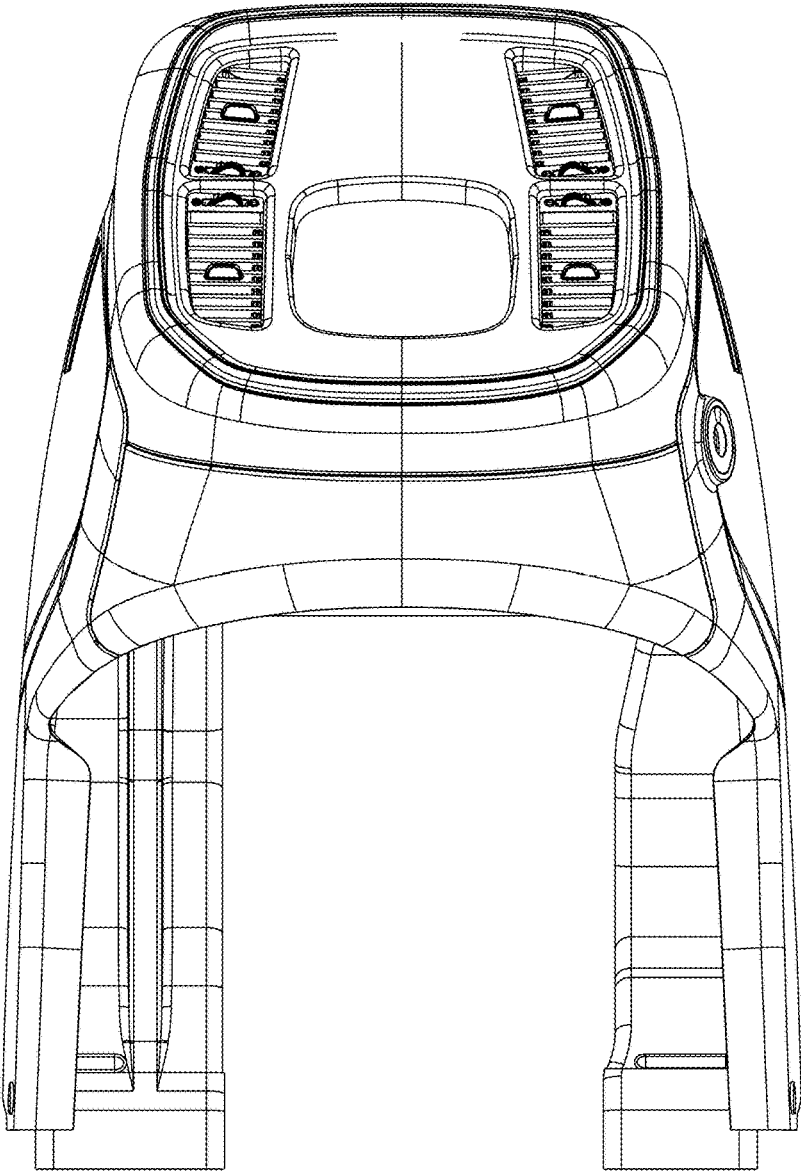


FIG. 2

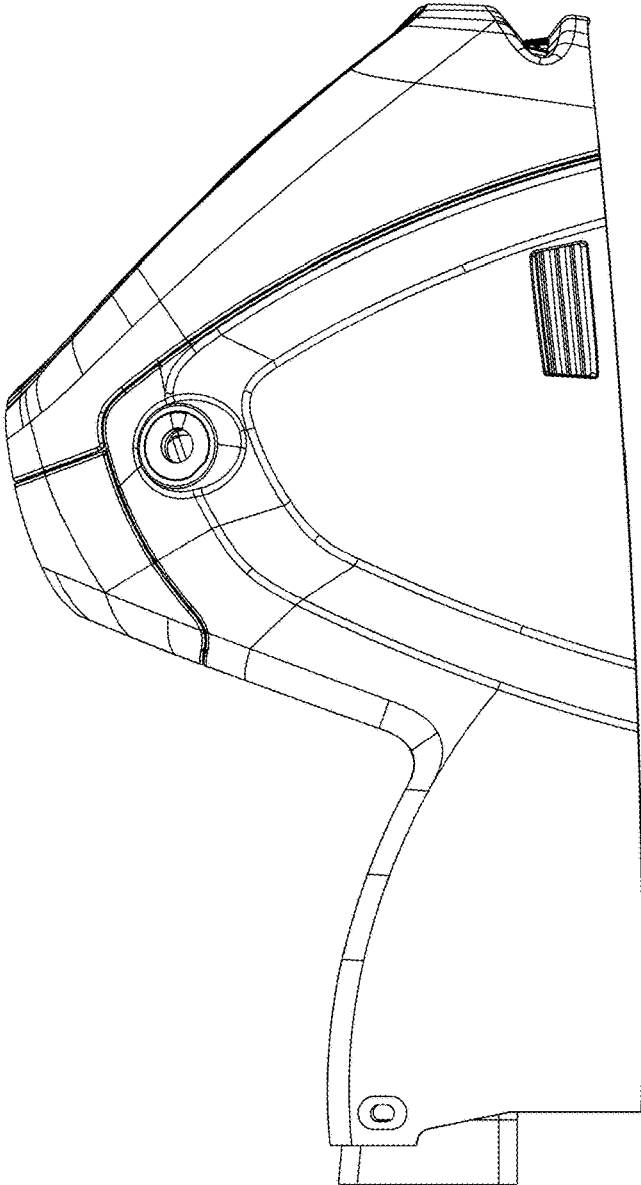


FIG. 3

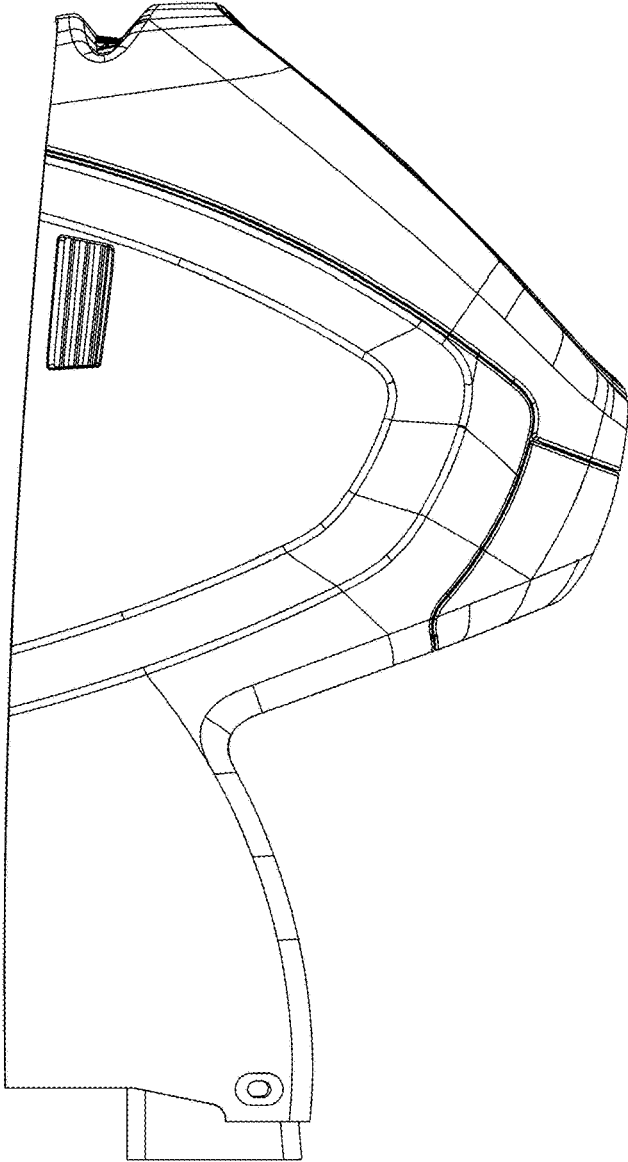


FIG. 4

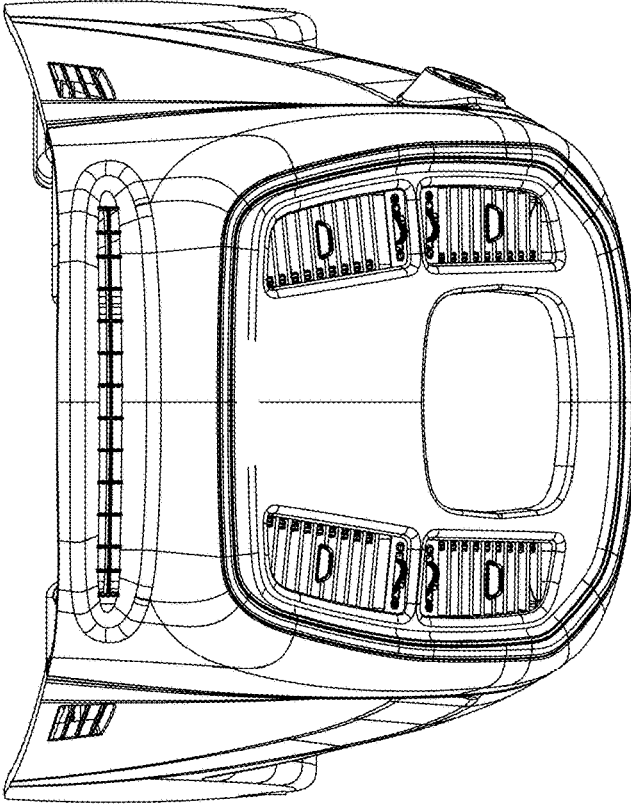


FIG. 5