



US00D519366S

(12) **United States Design Patent**
Epstein

(10) **Patent No.:** **US D519,366 S**

(45) **Date of Patent:** **** Apr. 25, 2006**

(54) **RE-CLOSABLE CONTAINER**

6,050,483 A * 4/2000 Haraldsson et al. 229/114
D467,798 S * 12/2002 Cohon D9/418

(76) Inventor: **Paul Epstein**, 44 Cir. Ave., Larchmont,
NY (US) 10538

* cited by examiner

(**) Term: **14 Years**

Primary Examiner—Stella Reid
Assistant Examiner—Mark Goodwin

(21) Appl. No.: **29/213,944**

(74) *Attorney, Agent, or Firm*—Greenberg Traurig, LLP

(22) Filed: **Sep. 24, 2004**

(57) **CLAIM**

The ornamental design for a re-closable container, as shown
and described.

(51) **LOC (8) Cl.** **09-03**

DESCRIPTION

(52) **U.S. Cl.** **D9/431**

FIG. 1 is a perspective view of a re-closable container
showing my new design in open condition;
FIG. 2 is a top view thereof;
FIG. 3 is a front view thereof;
FIG. 4 is a right side view thereof;
FIG. 5 is a left side view thereof;
FIG. 6 is a rear view thereof;
FIG. 7 is a bottom view thereof; and,
FIG. 8 is a perspective view thereof in closed condition.

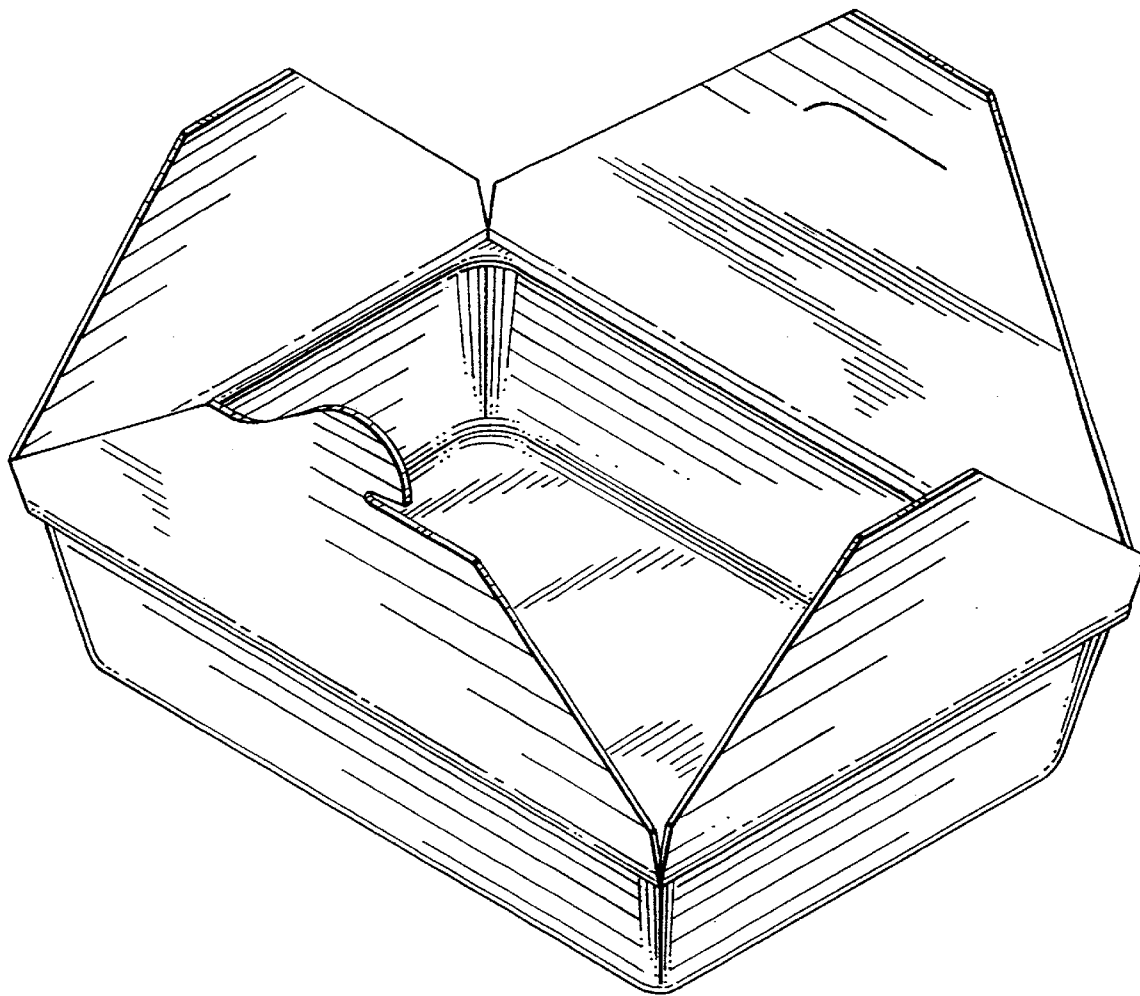
(58) **Field of Classification Search** D9/420–425,
D9/430–433; 229/114, 155, 911, 406, 407,
229/237, 120.24, 247, 902, 103.3
See application file for complete search history.

(56) **References Cited**

U.S. PATENT DOCUMENTS

5,411,204 A * 5/1995 DeMay 229/114

1 Claim, 8 Drawing Sheets



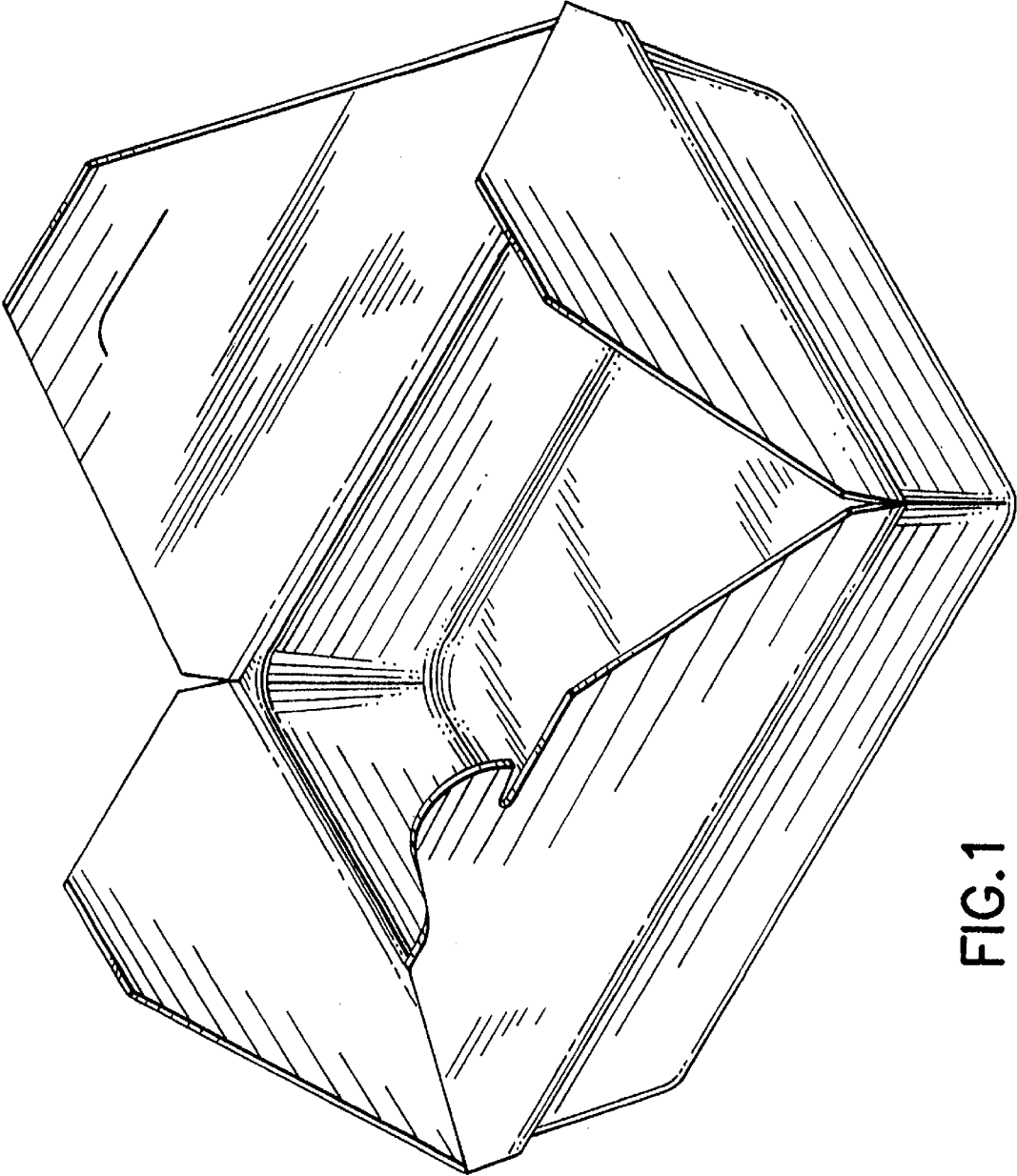
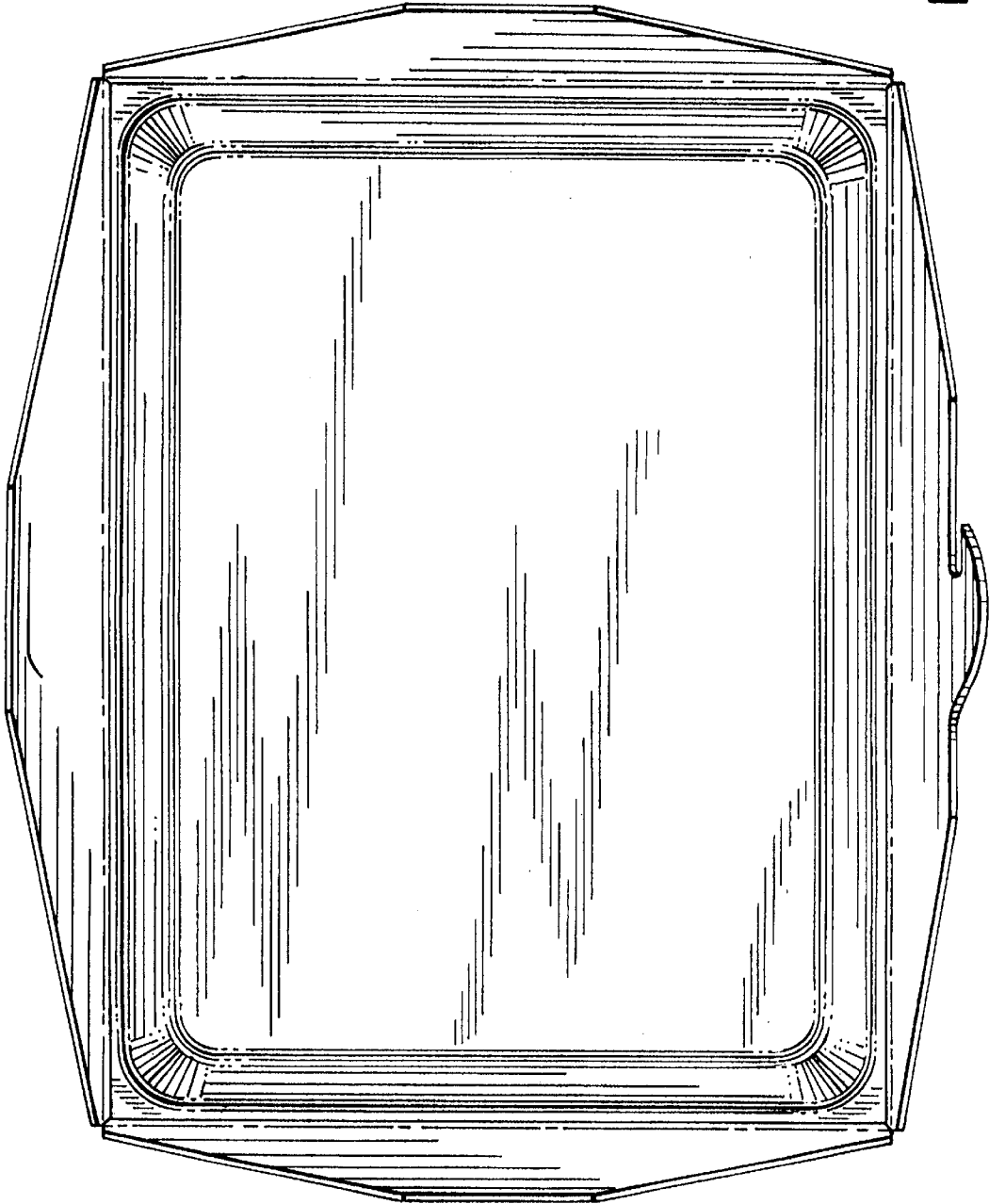


FIG.1

FIG.2



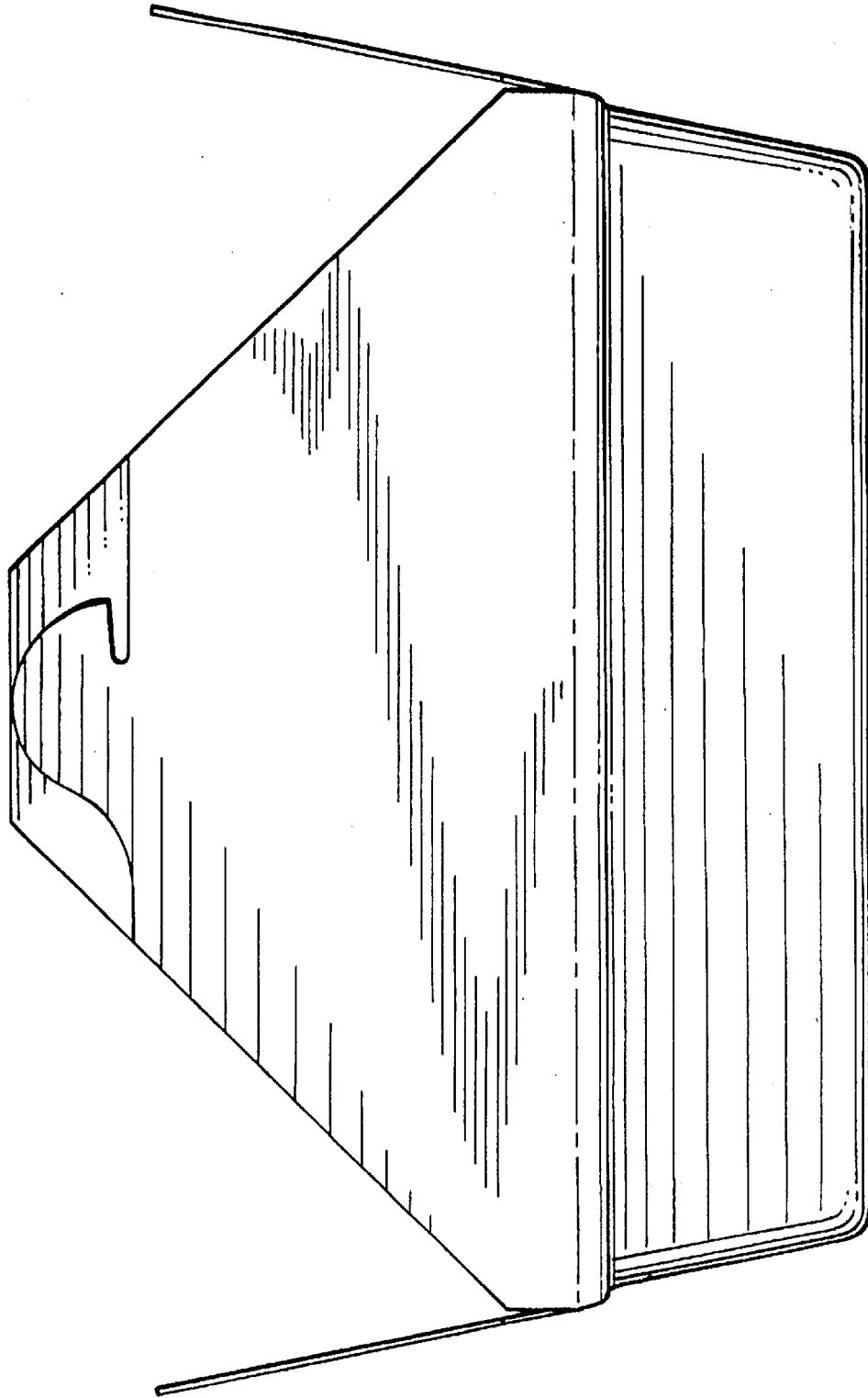


FIG.3

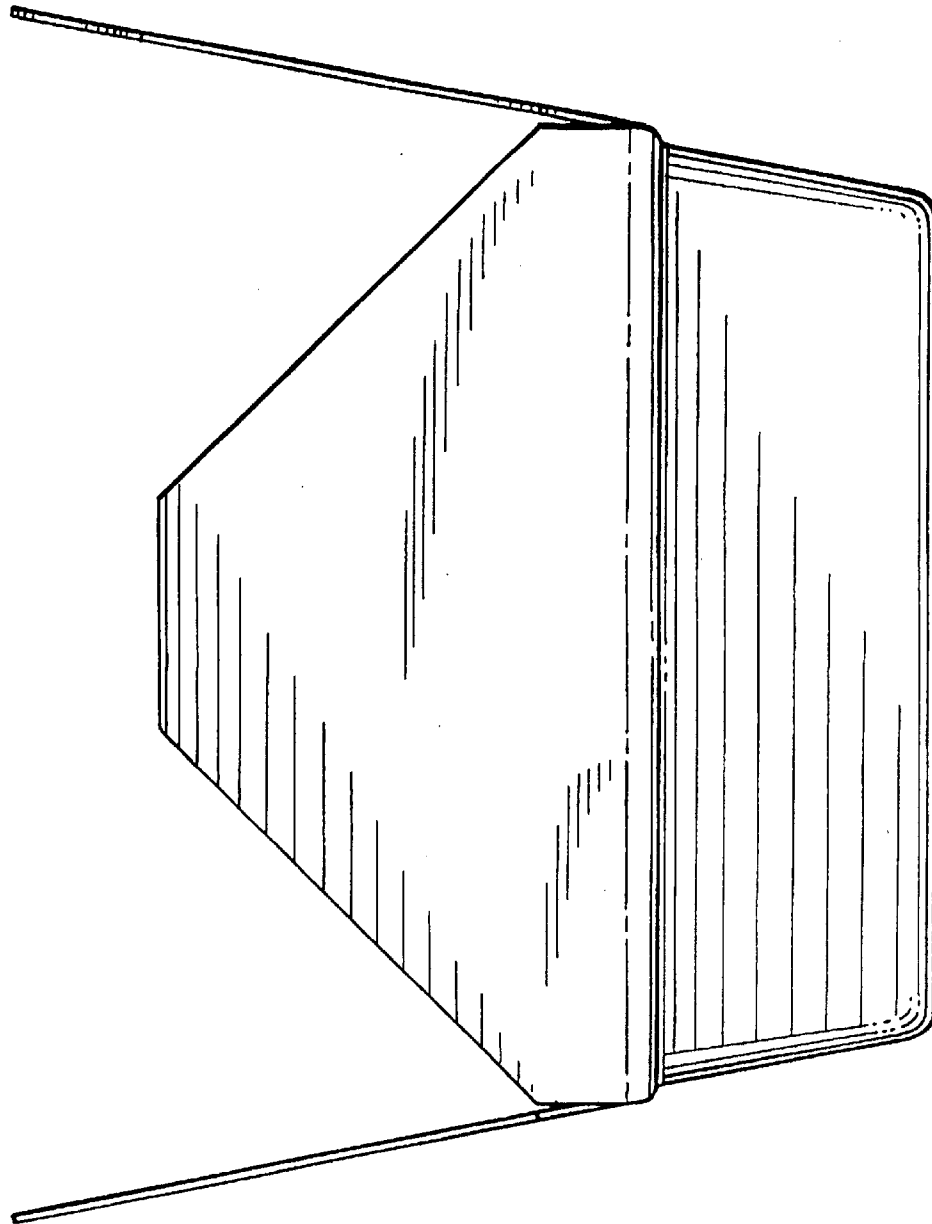


FIG.4

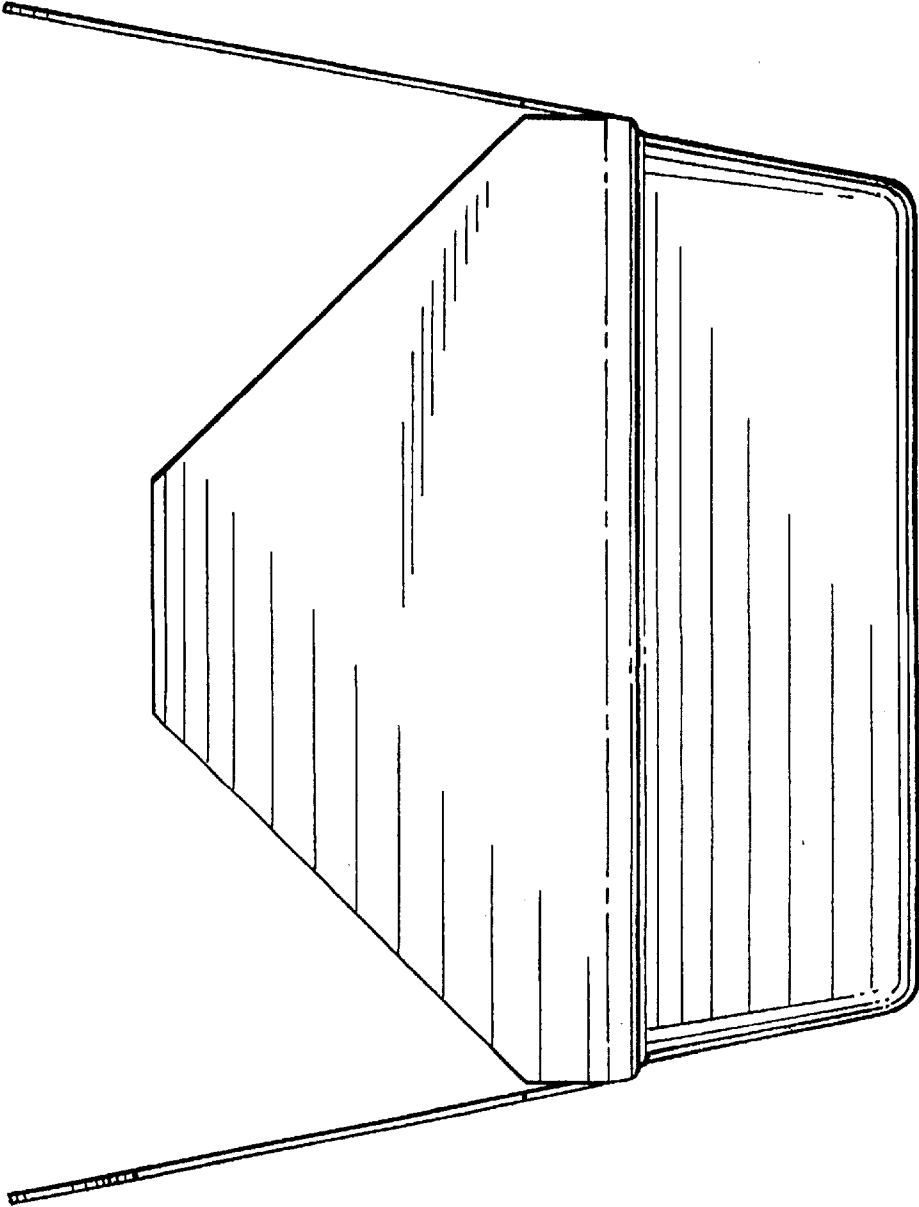


FIG.5

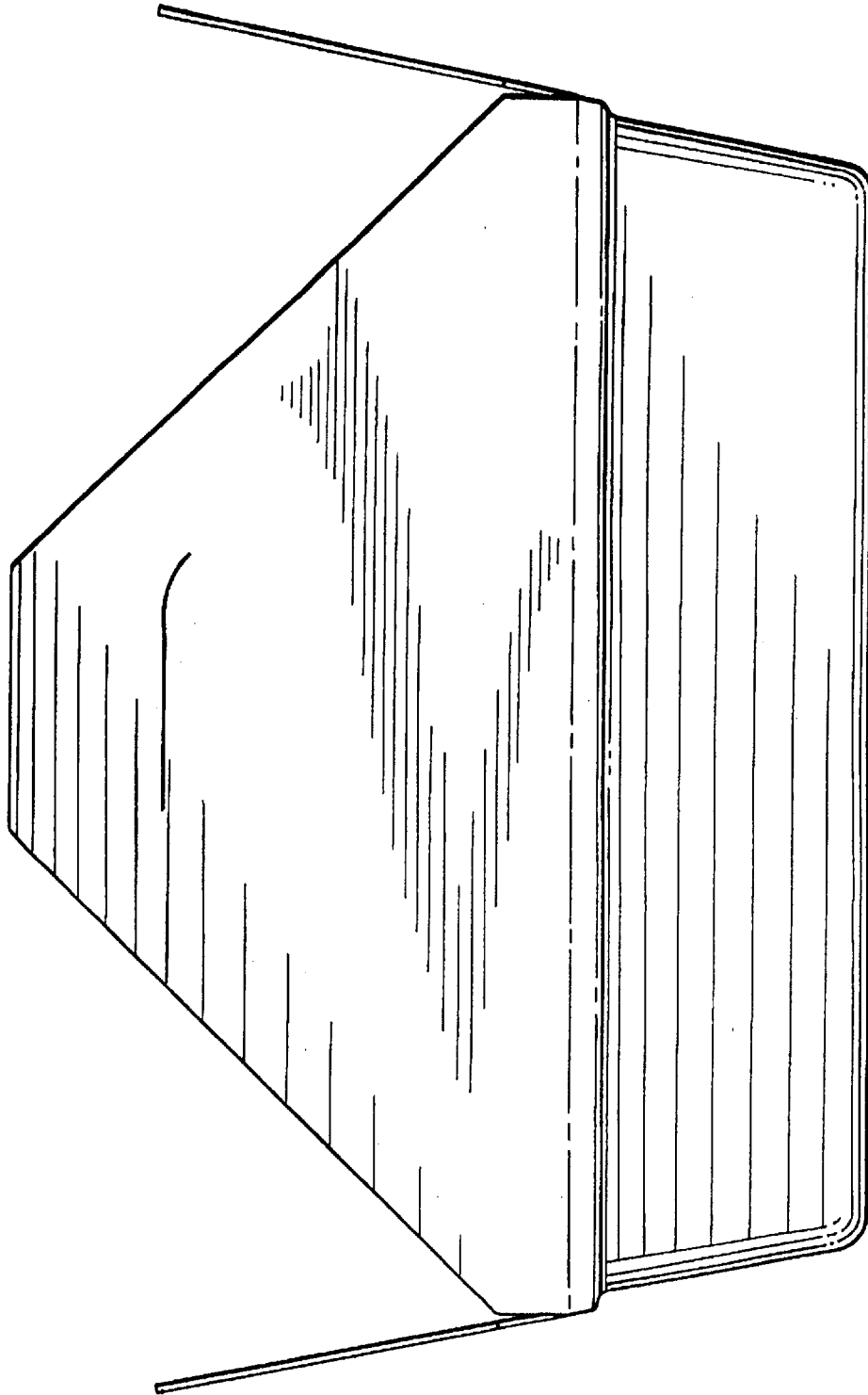
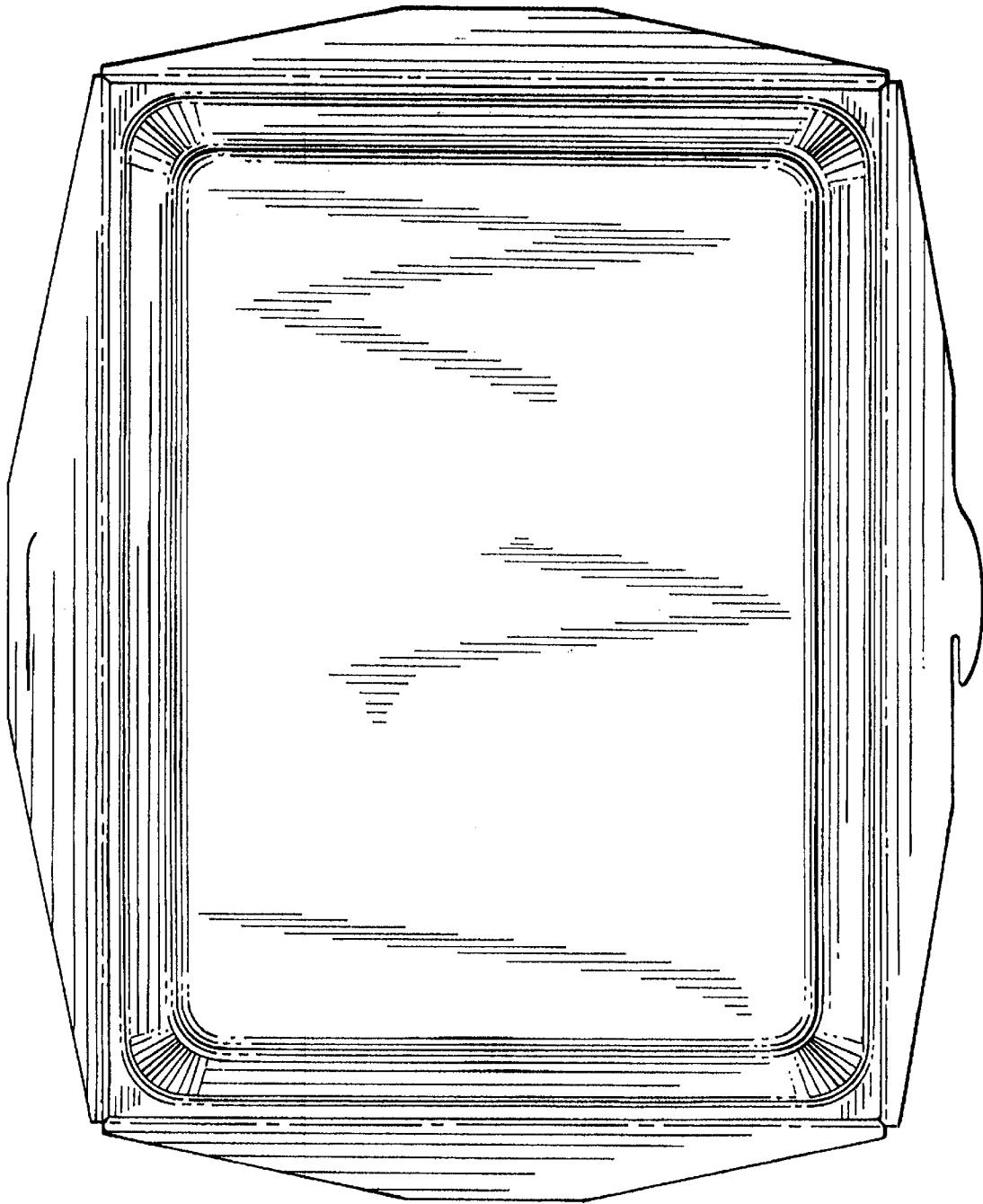


FIG.6

FIG. 7



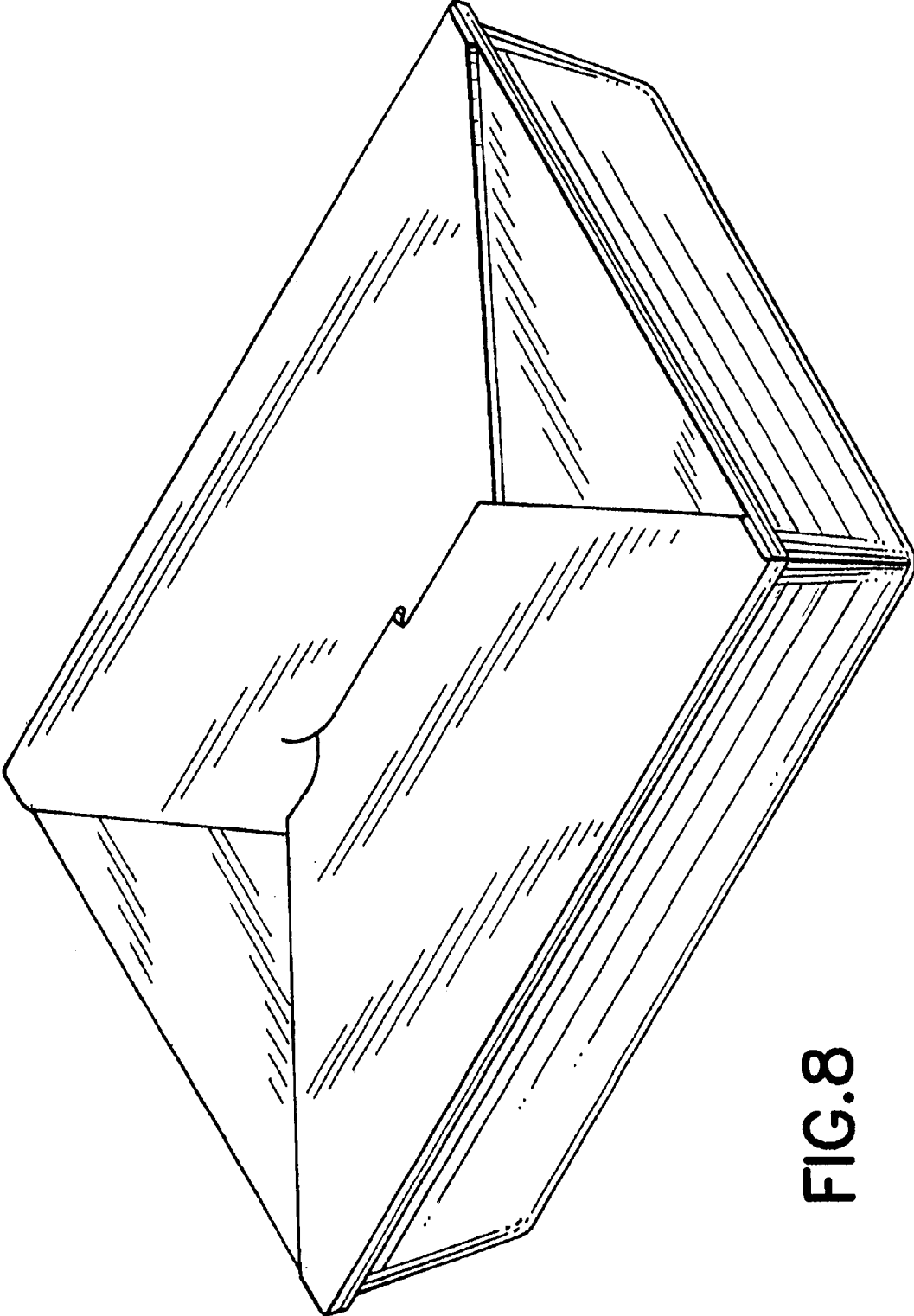


FIG. 8