



US00D797327S

(12) **United States Design Patent**  
**Deyaf et al.**

(10) **Patent No.:** **US D797,327 S**

(45) **Date of Patent:** **\*\* Sep. 12, 2017**

- (54) **SURFACE MOUNT LIGHT**
- (71) Applicant: **SpeedTech Lights Inc.**, Buda, TX (US)
- (72) Inventors: **Malik Deyaf**, Buda, TX (US); **Mostafa Abdallah**, Buda, TX (US)
- (73) Assignee: **SpeedTech Lights, Inc.**, Buda, TX (US)
- (\*\*) Term: **15 Years**
- (21) Appl. No.: **29/551,059**

- (22) Filed: **Jan. 10, 2016**
- (51) **LOC (10) Cl.** ..... **26-06**
- (52) **U.S. Cl.**  
USPC ..... **D26/28**
- (58) **Field of Classification Search**  
USPC ..... D26/28, 30, 89, 120; D10/111, 114.1, D10/114.3  
CPC .. F21S 48/2206; F21S 48/2212; F21S 48/215; F21S 48/218; F21S 48/20; F21S 48/22; F21S 48/2281; F21V 5/00; B60Q 1/04; B60Q 1/26; B60Q 1/32; B60Q 1/2615; B60Q 1/2607  
See application file for complete search history.

(56) **References Cited**

**U.S. PATENT DOCUMENTS**

- 3,798,444 A \* 3/1974 Brudy ..... F21V 5/00 362/328
- D530,437 S \* 10/2006 Neufeglise ..... D26/28

- D561,360 S \* 2/2008 Wang ..... D26/28
- D681,261 S \* 4/2013 Miyatake ..... D26/120
- D733,946 S \* 7/2015 Chen ..... D26/28
- D735,910 S \* 8/2015 Chang ..... D26/28
- D740,471 S \* 10/2015 Yu ..... D26/28
- D770,069 S \* 10/2016 Goltche ..... D26/28
- 2002/0067548 A1\* 6/2002 TerHovhannisian ..... B60Q 1/32 359/627
- 2006/0067085 A1\* 3/2006 Sassoon ..... B60Q 1/32 362/522
- 2015/0184809 A1\* 7/2015 Kuo ..... F21V 5/04 362/311.14
- 2016/0238211 A1\* 8/2016 Herbin ..... F21S 48/211

\* cited by examiner

*Primary Examiner* — Clare E Heflin

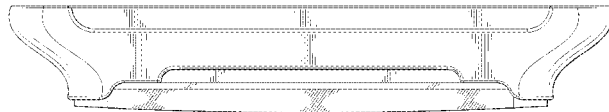
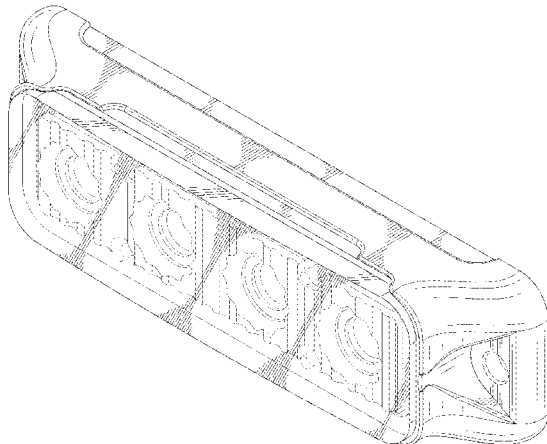
(57) **CLAIM**

The ornamental design for a surface mount light, as shown and described.

**DESCRIPTION**

FIG. 1 is a perspective view of a surface mount light showing our new design;  
 FIG. 2 is a front view thereof;  
 FIG. 3 is a back view thereof;  
 FIG. 4 is a right side view thereof;  
 FIG. 5 is a left side view thereof;  
 FIG. 6 is a top plan view thereof; and,  
 FIG. 7 is a bottom plan view thereof.  
 The broken line portions in FIGS. 1-7 are included to show unclaimed subject matter only and form no part of the claimed design.

**1 Claim, 4 Drawing Sheets**



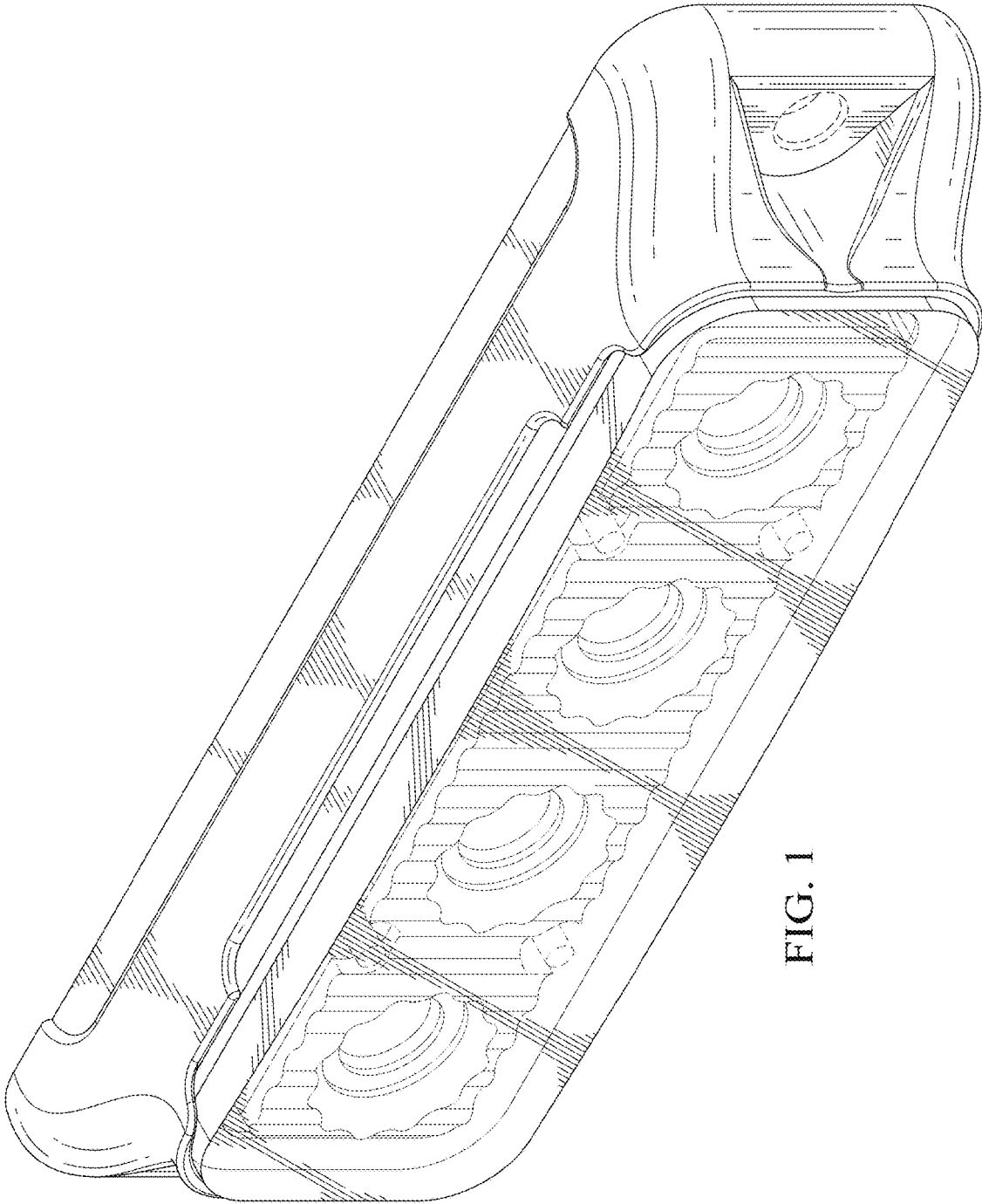


FIG. 1

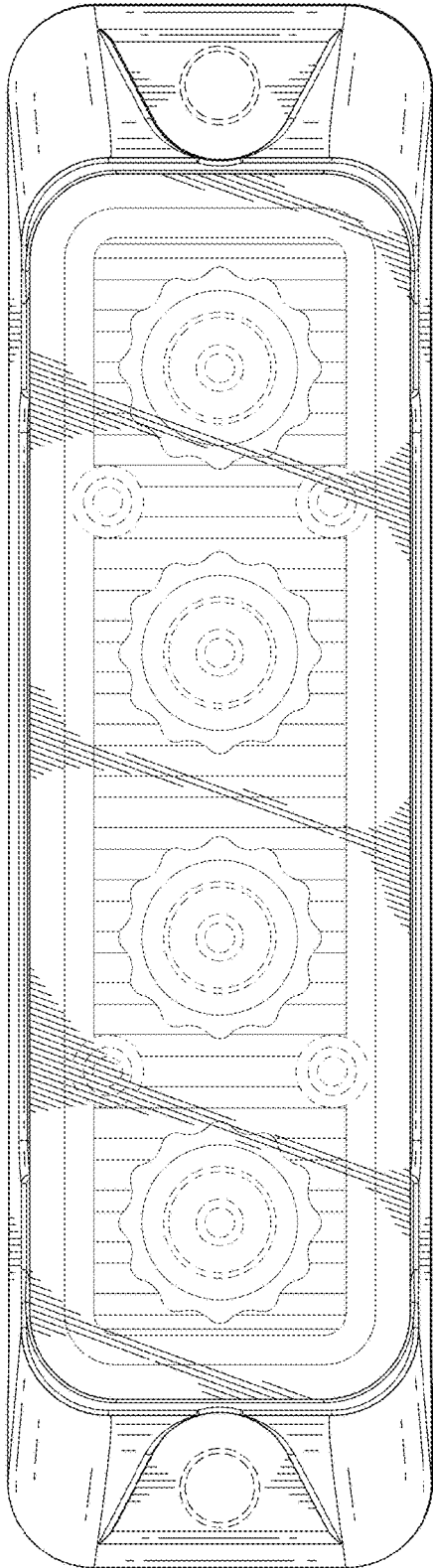


FIG. 2

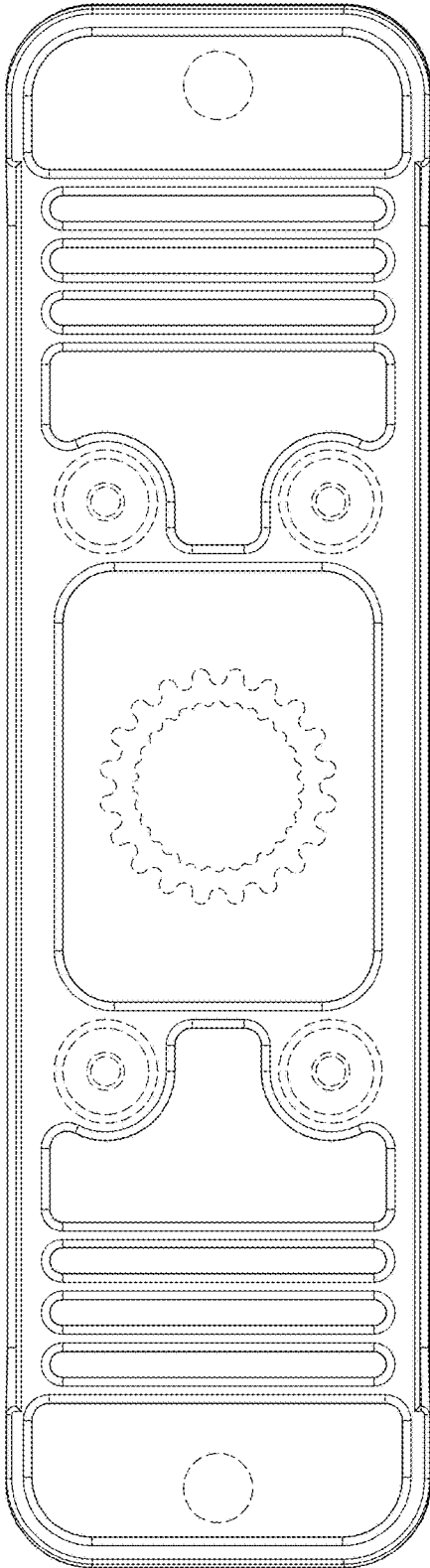


FIG. 3

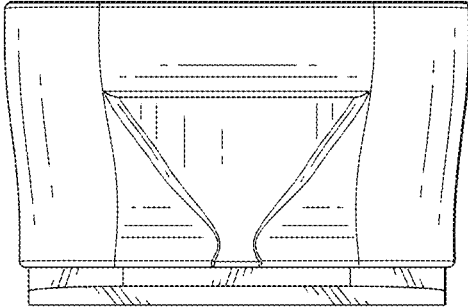


FIG. 5

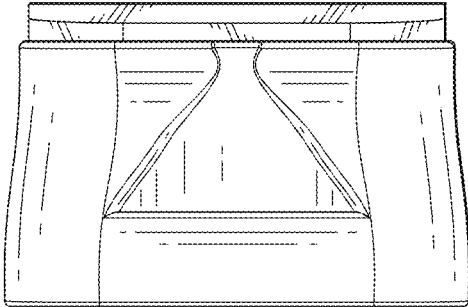


FIG. 4

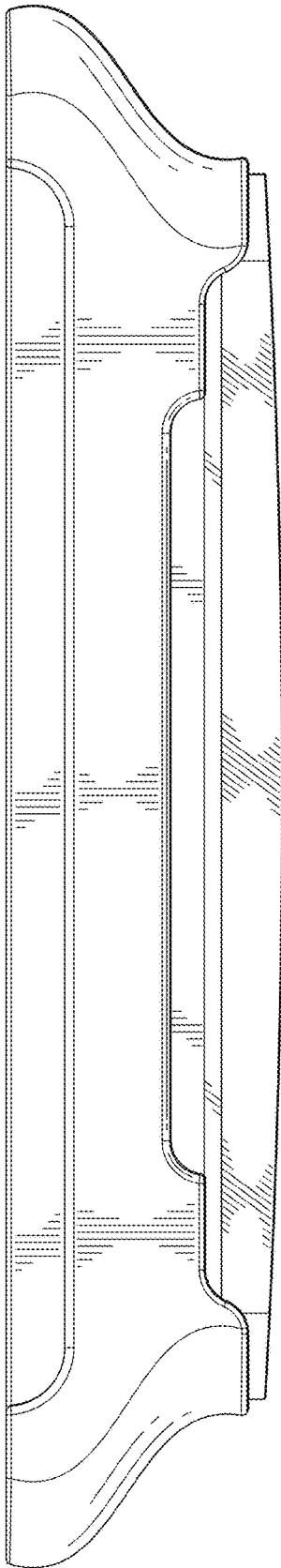


FIG. 6

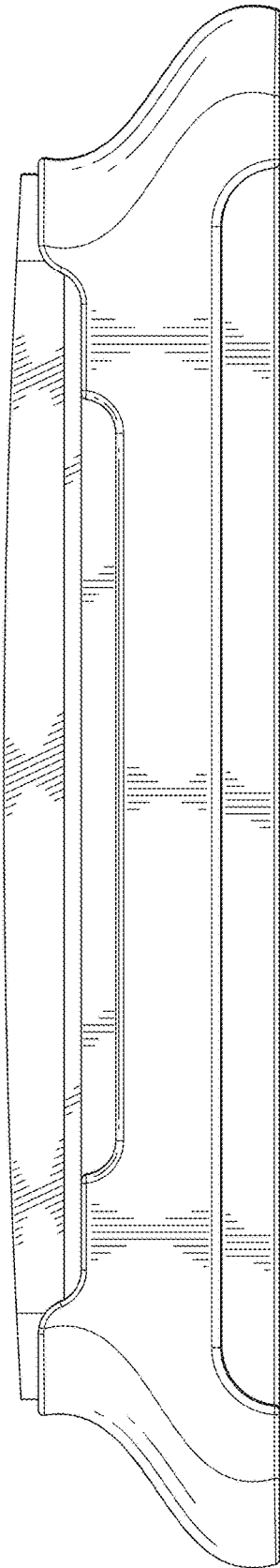


FIG. 7