



US00D788730S

(12) **United States Design Patent**
Amann et al.

(10) **Patent No.:** **US D788,730 S**

(45) **Date of Patent:** **** Jun. 6, 2017**

(54) **HANDBSET**

available Jan. 16, 2015, [online], acquired on Dec. 14, 2016. Available from Internet, <URL: <https://www.youtube.com/watch?v=CN07oq84k0I>>.*

(71) Applicant: **SpectraLink Corporation**, Boulder, CO (US)

Primary Examiner — Cathron Brooks

Assistant Examiner — Aula Soroush

(72) Inventors: **Keith Amann**, Westminster, CO (US);
Jeffrey D. Kelm, Longmont, CO (US);
William R. Brennan, Longmont, CO (US)

(74) *Attorney, Agent, or Firm* — Honigman Miller Schwartz and Cohn LLP

(73) Assignee: **SpectraLink Corporation**, Boulder, CO (US)

(57) **CLAIM**

The ornamental design for a handset, as shown and described.

(**) Term: **15 Years**

DESCRIPTION

(21) Appl. No.: **29/532,656**

(22) Filed: **Jul. 9, 2015**

FIG. 1 is a top perspective view of a handset, showing my new design;

FIG. 2 is a bottom perspective view thereof;

FIG. 3 is a top plan view thereof;

FIG. 4 is a bottom plan view thereof;

FIG. 5 is a right side view thereof;

FIG. 6 is a left side view thereof;

FIG. 7 is a front view thereof; and

FIG. 8 is a rear view thereof.

FIG. 9 is a top perspective view of another embodiment of the handset;

FIG. 10 is a bottom perspective view thereof;

FIG. 11 is a top plan view thereof;

FIG. 12 is a bottom plan view thereof;

FIG. 13 is a right side view thereof;

FIG. 14 is a left side view thereof;

FIG. 15 is a front view thereof; and,

FIG. 16 is a rear view thereof.

The dashed lines shown in FIGS. 1-8 that are immediately adjacent to the solid lines represent the bounds of the claims. All other dashed lines, including the features within dashed line boundaries, the dashed lines on the front surface above the display screen, the display screen rectangle, and the triangular, circular, and rectangular features on the back surface, are directed to environment. The dashed lines form no part of the claimed design.

(51) **LOC (10) Cl.** **14-03**

(52) **U.S. Cl.**

USPC **D14/138 G**

(58) **Field of Classification Search**

USPC D14/138 AA, 138 AB, 138 AD, 138 G,
D14/138 R, 341, 345, 203.7, 248, 344,
D14/496; D10/65; D27/186; D3/218,
D3/247; D28/64.1; D6/300-302, 312;
D19/26; D13/168; D21/329, 517

CPC G06F 1/1652; G06F 1/1616; G06F 1/1618;
G06F 1/1626; G06F 1/1624; H04M
1/0222; H04M 1/0254; H04M 1/0256;
(Continued)

(56) **References Cited**

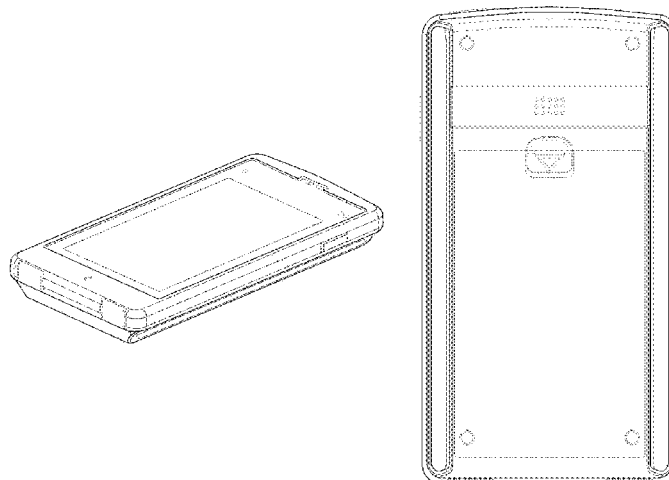
U.S. PATENT DOCUMENTS

D583,342 S * 12/2008 Kim D14/138 G
D608,327 S * 1/2010 Cigliano D14/138 AD
(Continued)

OTHER PUBLICATIONS

Pivot by Spectralink Review | Durable business smartphone hands on with IProPortal.com, posted at youtube.com, earliest date

1 Claim, 16 Drawing Sheets



(58) **Field of Classification Search**

CPC H04M 2250/22; G09F 9/301; H01L
2251/5338

See application file for complete search history.

(56) **References Cited**

U.S. PATENT DOCUMENTS

D631,031 S * 1/2011 Chen D14/138 G
D636,750 S * 4/2011 Cigliano D14/138 AD
D654,049 S * 2/2012 Chung D14/138 G
D707,644 S * 6/2014 Asano D14/138 G
D723,494 S * 3/2015 Skafdrup D14/138 G
D726,716 S * 4/2015 Green D14/341
D738,342 S * 9/2015 Kitade D14/138 G
D746,279 S * 12/2015 Bajwa D14/341
D766,892 S * 9/2016 Bajwa D14/341
D775,100 S * 12/2016 Teruyama D14/138 G

* cited by examiner

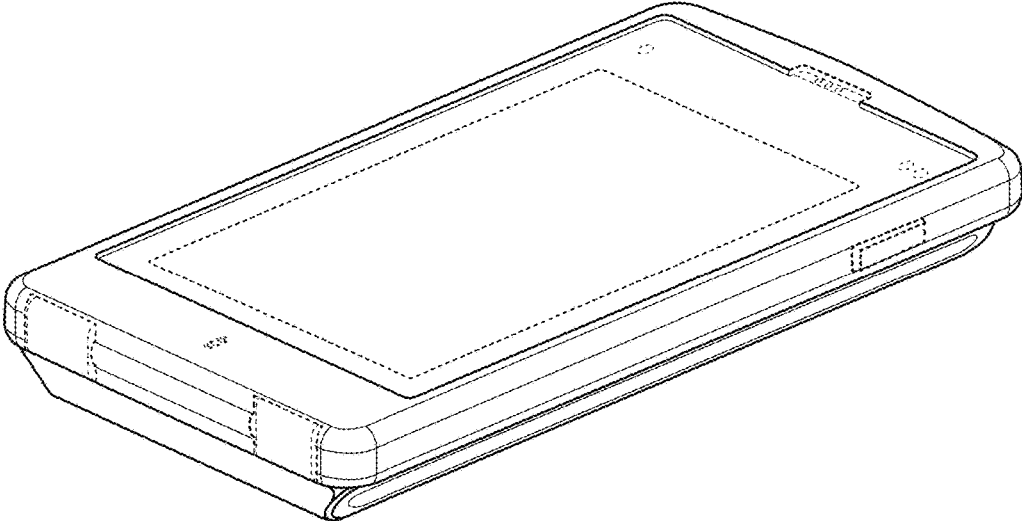


FIG. 1

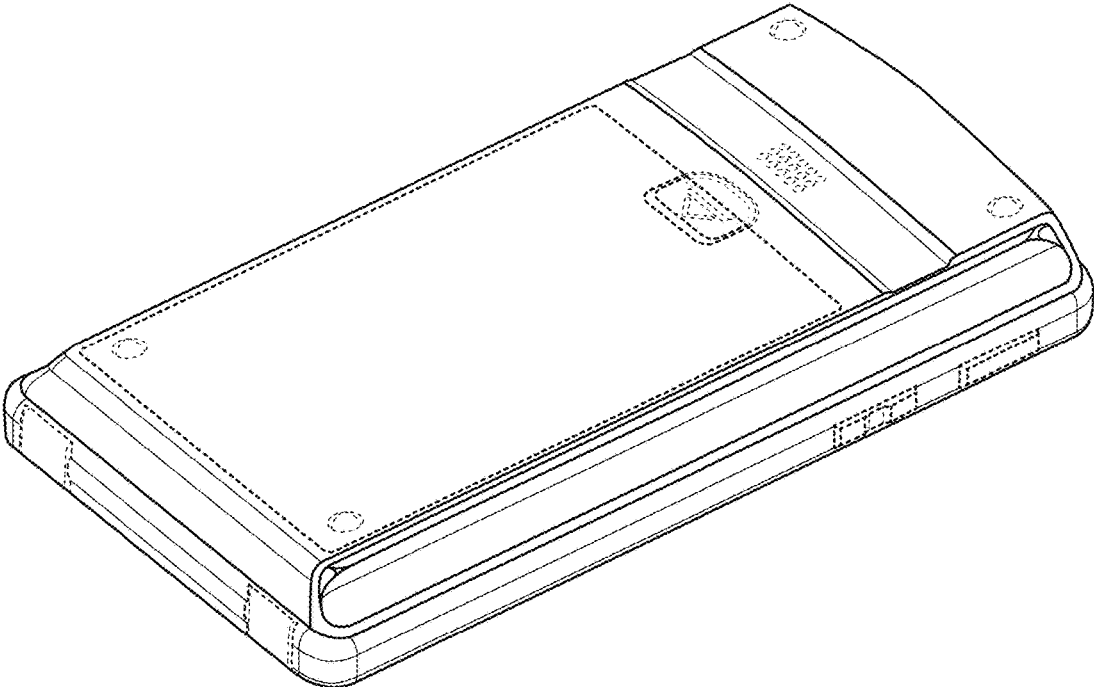


FIG. 2

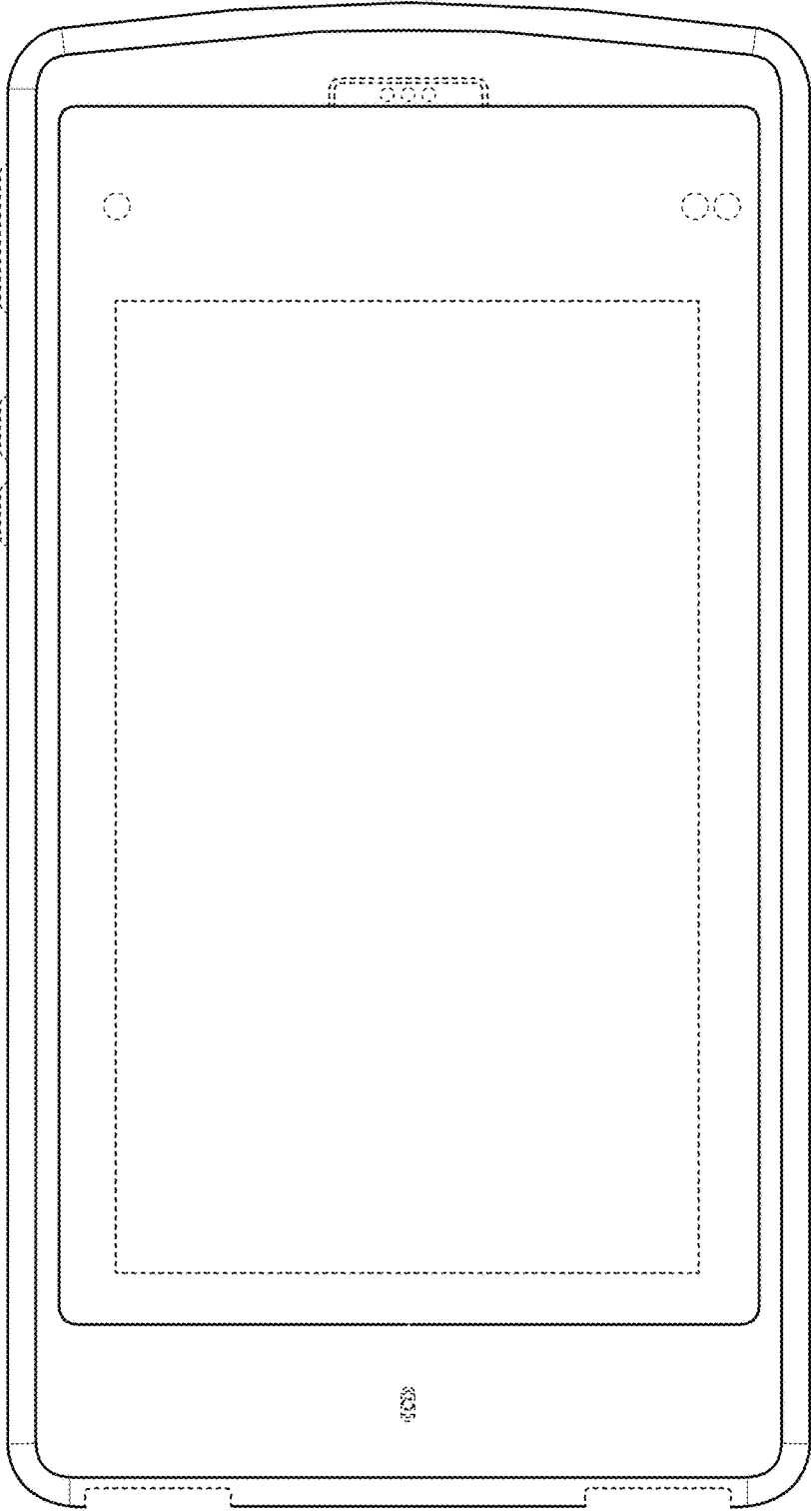


FIG. 3

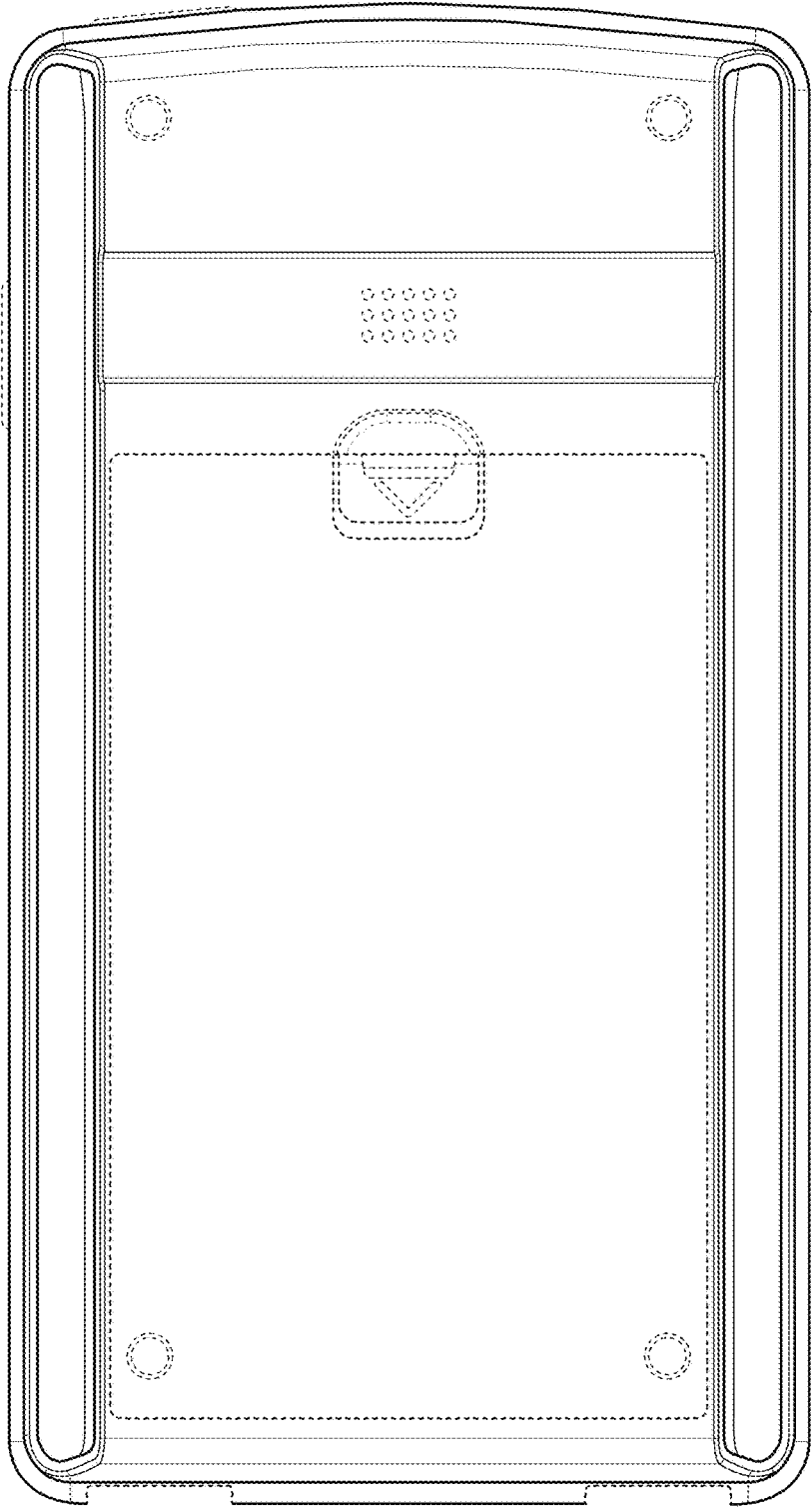


FIG. 4

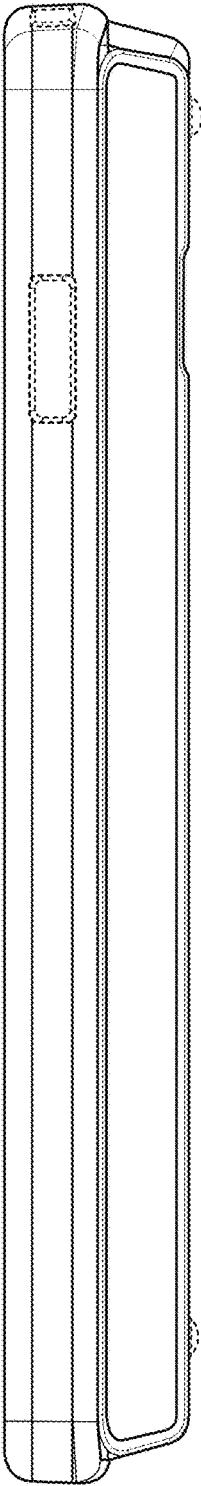


FIG. 5

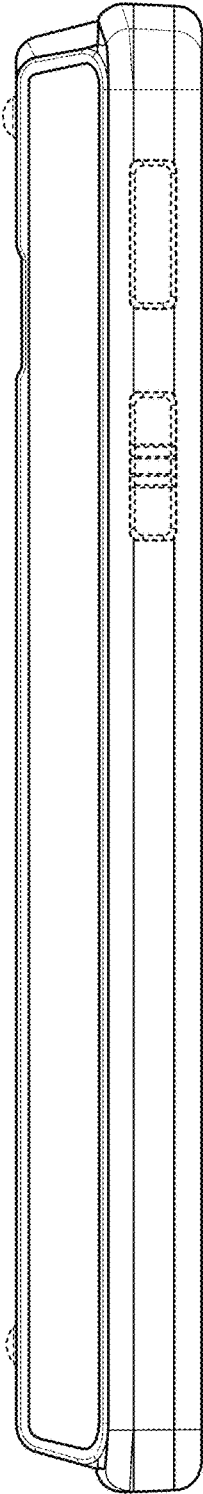


FIG. 6

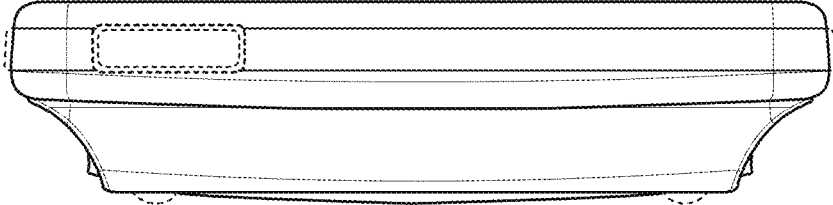


FIG. 7

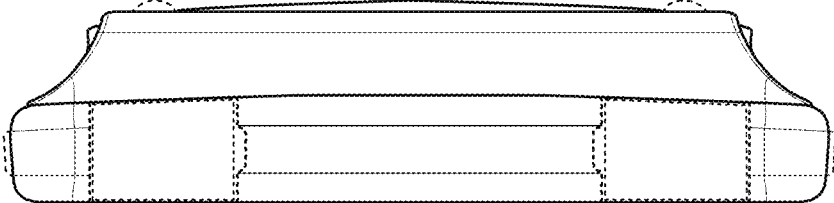


FIG. 8

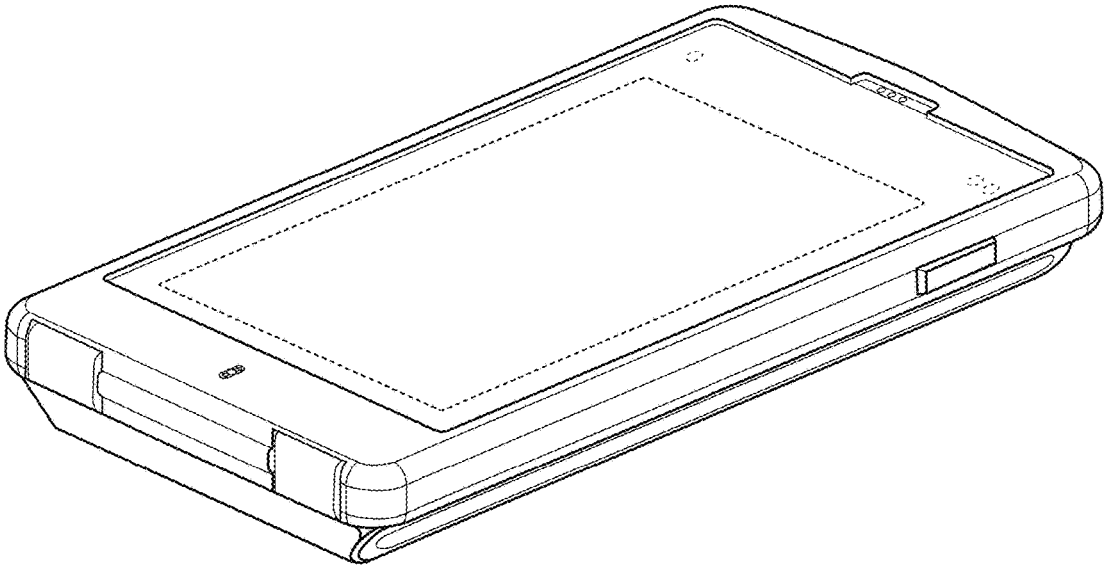


FIG. 9

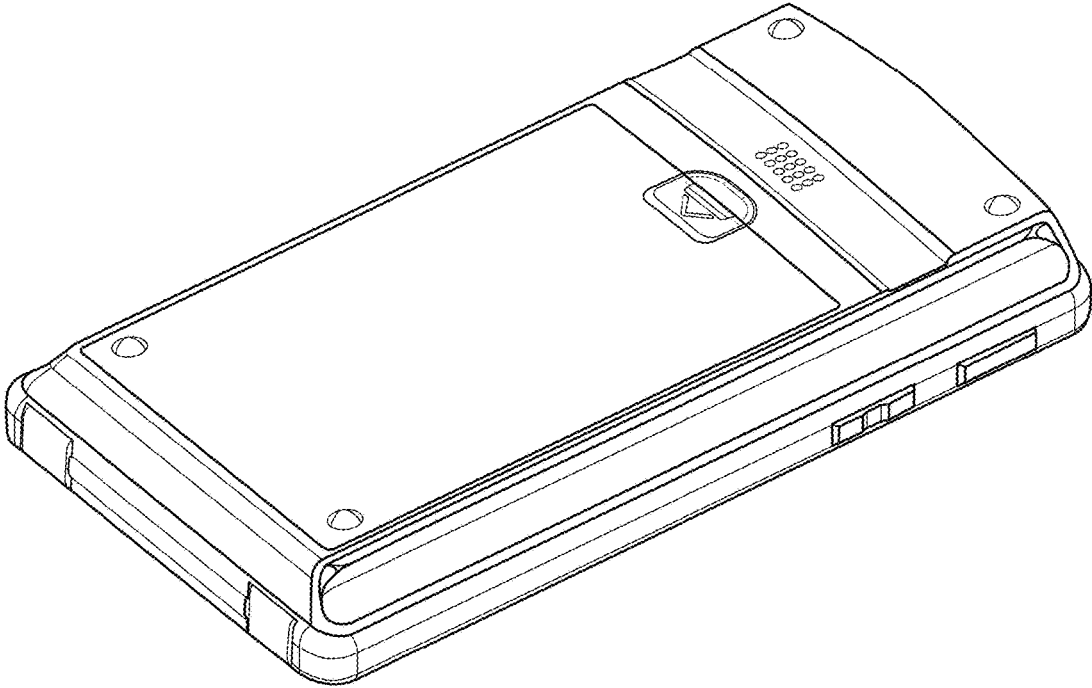


FIG. 10

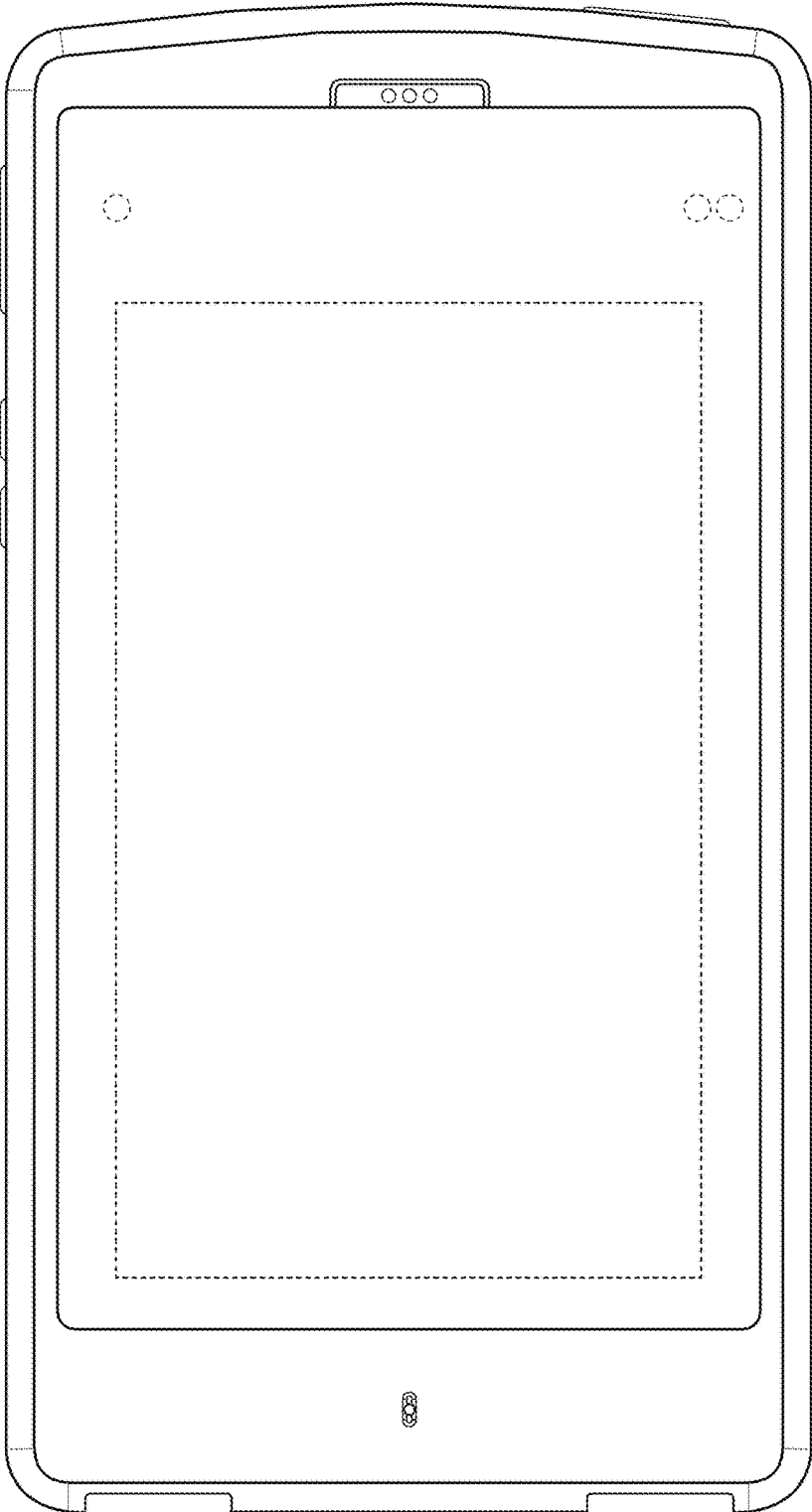


FIG. 11

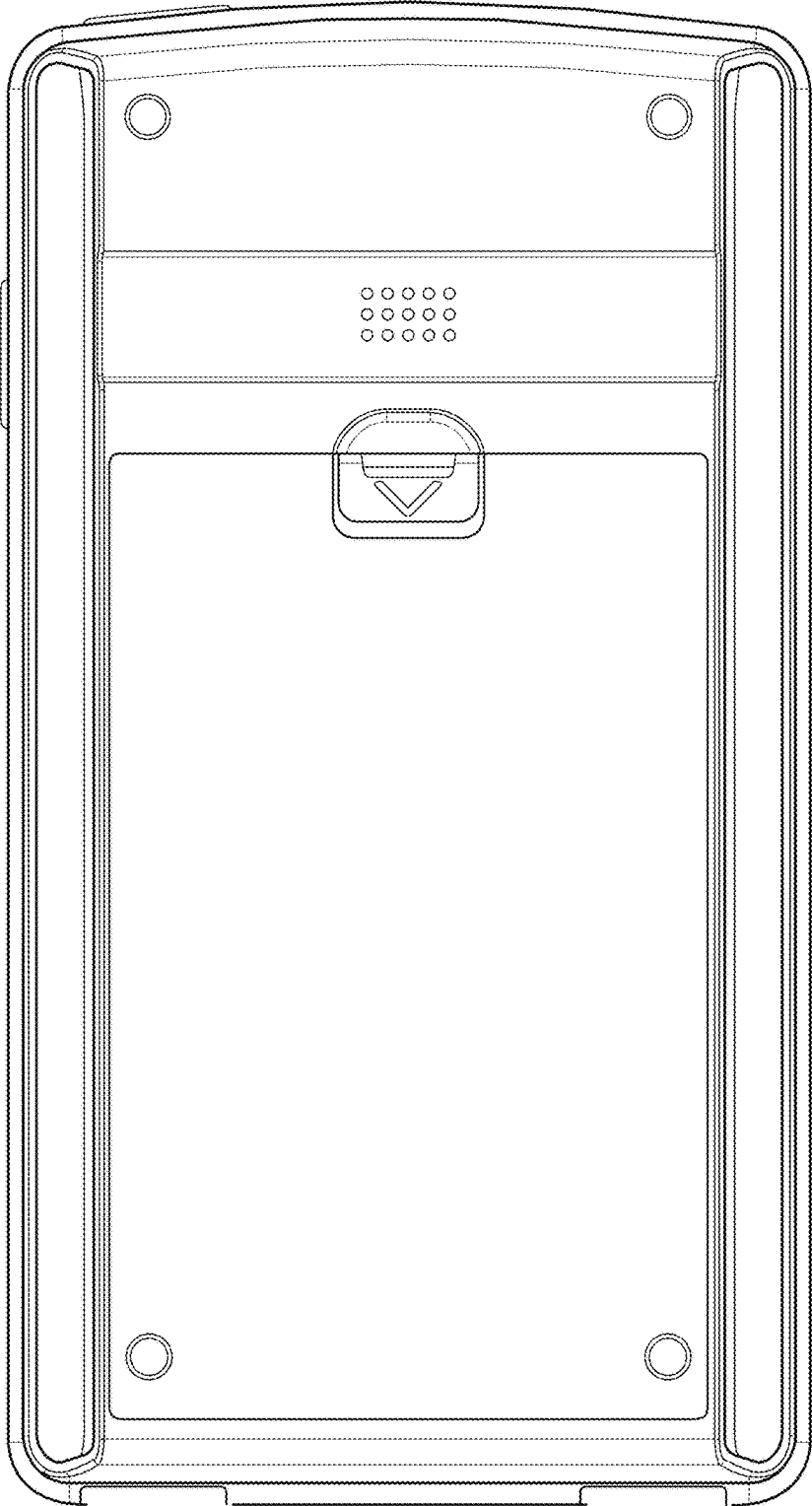


FIG. 12

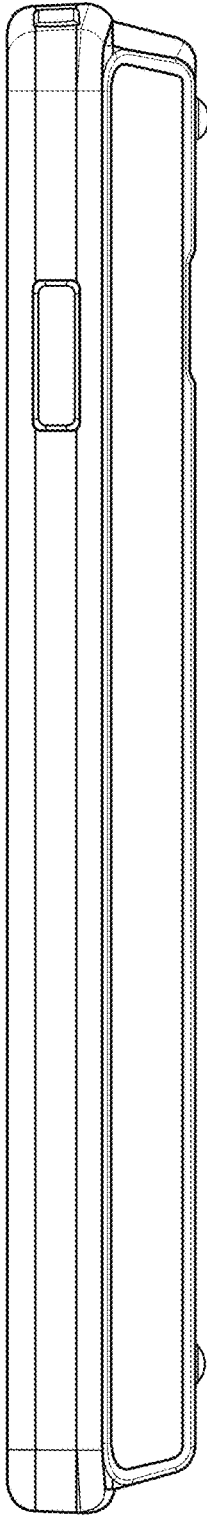


FIG. 13

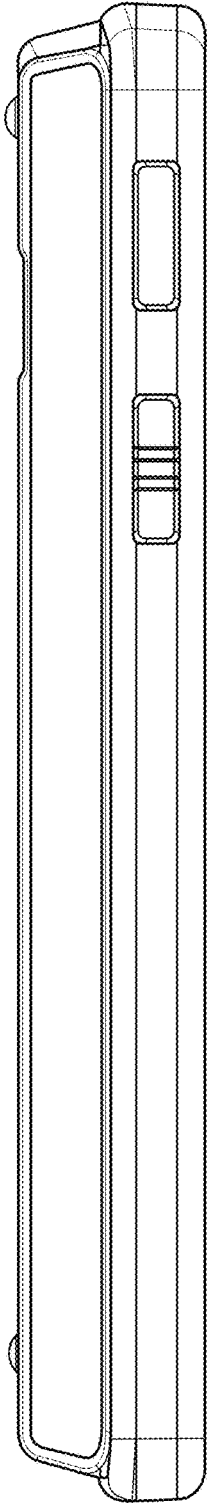


FIG. 14

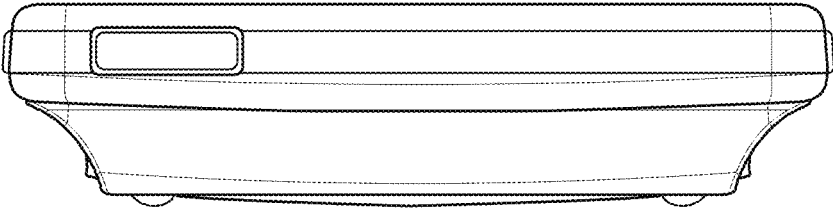


FIG. 15

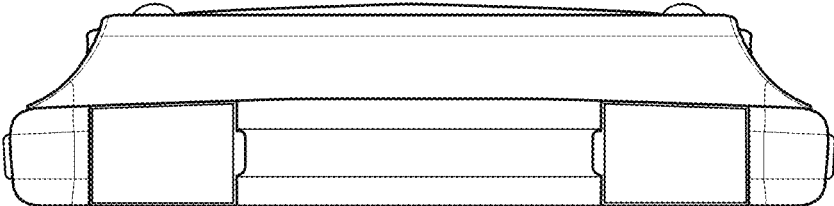


FIG. 16