

(12) **UK Patent Application** (19) **GB** (11) **2459745** (13) **A**

(43) Date of A Publication

11.11.2009

(21) Application No: **0808462.6**

(22) Date of Filing: **10.05.2008**

(71) Applicant(s):  
**Christopher Michael Gettins**  
**18 Trinity Street, Low Southwick, SUNDERLAND,**  
**SR5 2EG, United Kingdom**

**Emily Sue Gettins**  
**18 Trinity Street, Low Southwick, SUNDERLAND,**  
**SR5 2EG, United Kingdom**

(72) Inventor(s):  
**Christopher Michael Gettins**  
**Emily Sue Gettins**

(74) Agent and/or Address for Service:  
**Christopher Michael Gettins**  
**18 Trinity Street, Low Southwick, SUNDERLAND,**  
**SR5 2EG, United Kingdom**

(51) INT CL:  
**G06F 1/16** (2006.01) **A47B 81/00** (2006.01)

(56) Documents Cited:  
**GB 2332901 A** **JP 2000004961 A1**  
**US 6212921 B1** **US 5875094 A**  
**US 5826042 A** **US 20050057910 A1**  
**US 20020135975 A1**  
"JustShawns recommendation", product review of the  
"Wall-Mount Laptop Security Cabinet, posted 3 March  
2008. Available at  
<http://www.thisnext.com/item/422f81f7/Wall-Mount-Laptop-Security> [accessed 15 July 2009].  
TPH Supply, online product catalogue, 11 June 2009,  
"The Pouch" laptop holder. Available via:  
[http://tphsupply.com/index.php?main\\_page=product\\_info&products\\_id=578](http://tphsupply.com/index.php?main_page=product_info&products_id=578) [accessed 15 July 2009].

(58) Field of Search:  
INT CL **A47B, A47F, G06F**  
Other: **Online: EPODOC, WPI; Internet**

(54) Abstract Title: **Wall-mounted laptop holder**

(57) A wall-mounted holder designed for the safe storage and recharging of a laptop computer (notebook), comprises attachment means (E), e.g. screw hole with screws, for attaching the unit to a wall, access points (D) which allow for recharging and ventilation without overheating, and cushioning means, e.g. adhesive rubber pads, which prevent damage to the laptop.

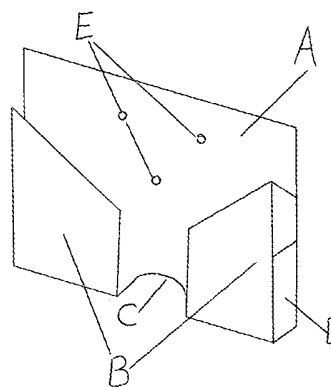


FIGURE 3

GB 2459745 A

The claims were filed later than the filing date but within the period prescribed by Rule 22(1) of the Patents Rules 2007.

1/2

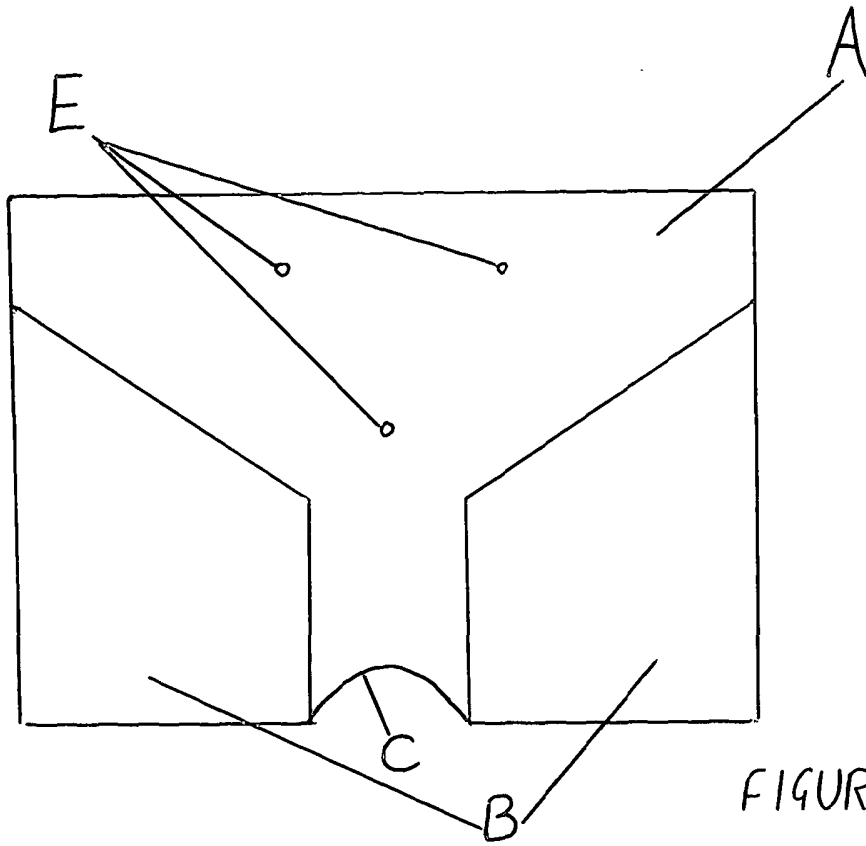


FIGURE 1

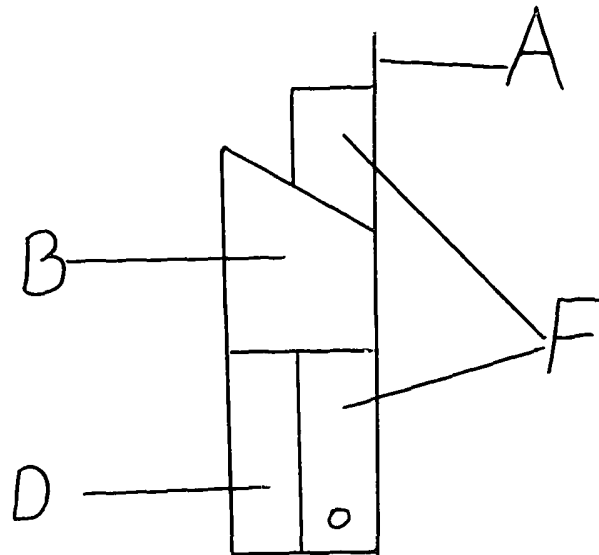


FIGURE 2

212

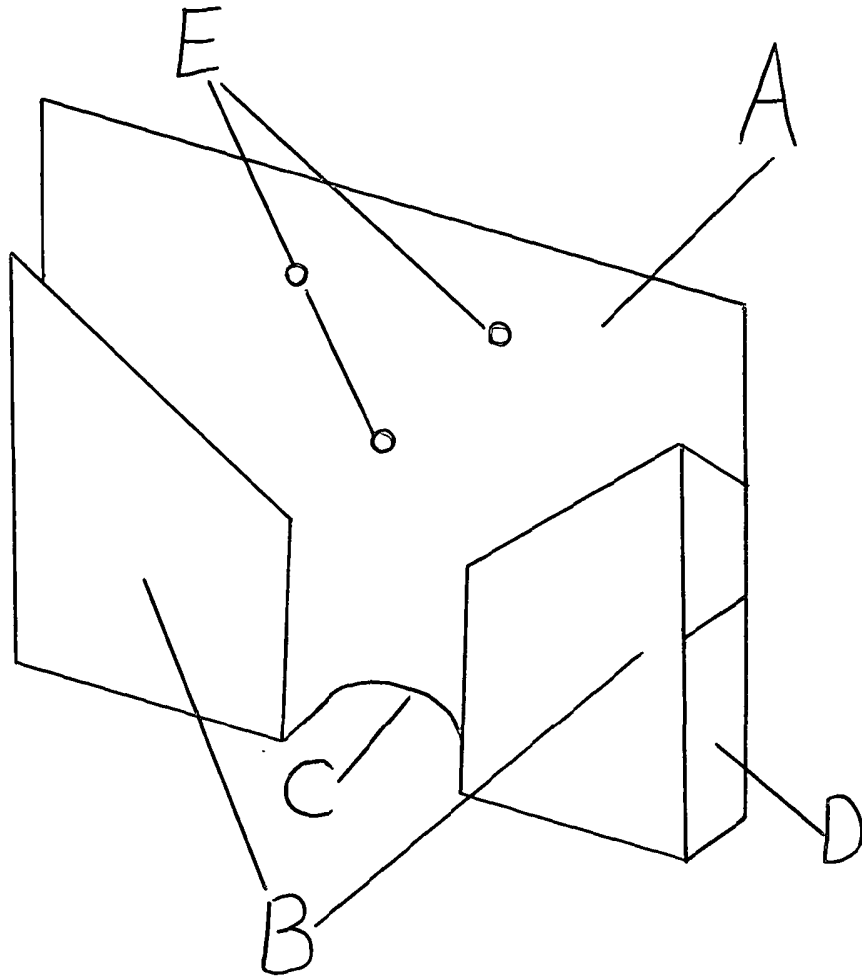


FIGURE 3

## Wall Mounted Unit

This invention relates to a wall mounted unit designed specifically to house a laptop (notebook) computer.

The safe storage of laptop computers, either in an office or at home, can be a problem. Many laptops are stored in cupboards, drawers or bookshelves or even lying on the floor. This poses the risk of damage to the laptop by being kicked, stood on or accidentally knocked from a shelf. You cannot recharge a laptop while it is in a cupboard or drawer due to accessibility and the risks of overheating, therefore a safe recharging point is necessary.

To overcome this, the present invention proposes a wall mounted laptop storage unit, secured by screw fixings to the wall, allowing for safe storage and recharging of the laptop without fear of overheating or accidental damage.

The proposed invention will provide safe storage for the laptop.

The unit will have access points on each side and in the middle at the bottom, allowing power cables to be connected. This enables the laptop to be recharged whilst securely housed.

These open areas also allow for continuous airflow, avoiding overheating of the laptop while it is being charged.

Preferably, screw covers and adhesive backed pads will be provided with the unit to cover the screws and to place on the unit's point of contact with the laptop to avoid scratching it.

An example of the invention will now be described by referring to the accompanying drawings.

Figure 1 shows the wall mounted laptop storage unit from the front.

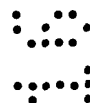
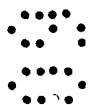
Figure 2 shows the wall mounted laptop storage unit from the side.

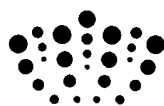
Figure 3 shows the wall mounted laptop storage unit from an angled perspective.

The wall mounted laptop storage unit is secured to the wall using wall plugs and screws through holes E. The laptop is inserted into the unit from the top and lies in the space between the back panel A and the side - panels B. The side panels B also prevent the laptop from being knocked out of the unit sideways (refer figure 2). There has been a curve C cut into the bottom of the unit to prevent the user from catching their fingers when removing the laptop from the unit. There are access points D on both sides and in the middle at the bottom to allow the laptop to be plugged in and charged while remaining ventilated to avoid overheating. Adhesive backed rubber or sponge pads are supplied to cover the points of contact between the laptop and the unit on side panels B. Screw covers are supplied to ensure screw heads do not scratch the laptop.

## CLAIMS

1. A wall mountable laptop computer (notebook) housing unit comprising attachment means for attaching the unit to a wall, cushioning means such that the laptop computer (notebook) remains undamaged by the unit, recharging means so that the laptop computer may be recharged whilst housed by the unit and ventilation means such that the laptop computer remains free from danger of overheating whilst recharging in the unit.
2. A wall mountable laptop computer (notebook) housing unit according to claim 1 in which the attachment means is provided by holes in the back panel and screws with relevant wall fittings.
3. A wall mountable laptop computer (notebook) housing unit according to claim 1 in which the cushioning means is provided by soft coverings of screw heads and on points of contact between the laptop computer and the unit.
4. A wall mountable laptop computer (notebook) housing unit according to claim 1 whereby the recharging means is provided by access points on both sides, and in the middle at the bottom of the unit, for connecting a laptop computer (notebook) charging device.
5. A wall mountable laptop computer (notebook) housing unit according to claim 1 in which the ventilation means is provided by open areas to allow for continuous airflow to the laptop computer (notebook).





\_3.

**Application No:** GB0808462.6

**Examiner:** Barnaby Wright

**Claims searched:** 1-5

**Date of search:** 16 July 2009

## Patents Act 1977: Search Report under Section 17

### Documents considered to be relevant:

Category	Relevant to claims	Identity of document and passage or figure of particular relevance
X	1-5	US 6212921 B1 (KNIGHTON) See whole document, especially Figures 1 to 6, noting fastening apertures 12 for mounting apparatus to a support structure, access apertures 15a for power supply etc, and cushioning material 37.
X	1-5	US 2002/0135975 A1 (SCHMIDT) See especially wall mounted computer drawer 42 in Figure 3, noting ventilation holes 70 and power supply plugs 60,62.
X	1-5	US 5826042 A (KIRKENDOLL) See whole document, noting especially Figures 1 to 6.
X	1-5	US 5875094 A (KIRKENDOLL) See especially laptop docking stations in Figures 1(A,B) & 5 to 7, noting access holes 141.
X	1 at least	US 2005/0057910 A1 (SCHNURR) See whole document.
X	1 at least	JP 2000004961 A1 (MATSUSHITA ELECTRIC) See especially Figures, and WPI Abstract Accession No. 2000-140190 [13].
X	1 at least	GB 2332901 A (DAVIS) See whole document.
X	1 at least	"JustShawns recommendation", product review of the "Wall-Mount Laptop Security Cabinet, posted 3 March 2008. Available at <a href="http://www.thisnext.com/item/422f81f7/Wall-Mount-Laptop-Security">http://www.thisnext.com/item/422f81f7/Wall-Mount-Laptop-Security</a> [accessed 15 July 2009]. See especially picture of the security cabinet, noting cushioned surface.
A	-	TPH Supply, online product catalogue, 11 June 2009, "The Pouch" laptop holder. Available via: <a href="http://tphsupply.com/index.php?main_page=product_info&amp;products_id=578">http://tphsupply.com/index.php?main_page=product_info&amp;products_id=578</a> [accessed 15 July 2009]. A wall mounted laptop holder.

Categories:



X	Document indicating lack of novelty or inventive step	A	Document indicating technological background and/or state of the art.
Y	Document indicating lack of inventive step if combined with one or more other documents of same category.	P	Document published on or after the declared priority date but before the filing date of this invention.
&	Member of the same patent family	E	Patent document published on or after, but with priority date earlier than, the filing date of this application.

**Field of Search:**

Search of GB, EP, WO & US patent documents classified in the following areas of the UKC<sup>X</sup> :

--

Worldwide search of patent documents classified in the following areas of the IPC

A47B; A47F; G06F
------------------

The following online and other databases have been used in the preparation of this search report

EPODOC, WPI; Internet
-----------------------

**International Classification:**

Subclass	Subgroup	Valid From
G06F	0001/16	01/01/2006
A47B	0081/00	01/01/2006