



US00D997828S

(12) **United States Design Patent**
Liu et al.

(10) **Patent No.:** **US D997,828 S**

(45) **Date of Patent:** **** Sep. 5, 2023**

(54) **VEHICLE WHEEL**

(71) Applicant: **CITIC Dicastal Co., Ltd.**,
Qinhuangdao (CN)

(72) Inventors: **Zhichong Liu**, Qinhuangdao (CN); **Zuo Xu**, Qinhuangdao (CN); **Hanqi Wu**, Qinhuangdao (CN); **Zhihua Zhu**, Qinhuangdao (CN)

(73) Assignee: **CITIC Dicastal Co., Ltd.**,
Qinhuangdao (CN)

(**) Term: **15 Years**

(21) Appl. No.: **29/813,218**

(22) Filed: **Oct. 27, 2021**

(51) **LOC (14) Cl.** **12-16**

(52) **U.S. Cl.**
USPC **D12/211; D21/563**

(58) **Field of Classification Search**
USPC D12/204-213, 202, 501; D21/563, 495
CPC B60B 7/00; B60B 7/02; B60B 7/04; B60B 7/01; B60B 7/06; B60B 3/02; B60B 3/04; B60B 3/06; B60B 3/10; B60B 1/00; B60B 1/08; B60B 1/10; B60B 1/12
See application file for complete search history.

(56) **References Cited**

U.S. PATENT DOCUMENTS

D407,055 S * 3/1999 Kelley D12/209
D437,278 S * 2/2001 Sulahian D12/211

D515,001 S * 2/2006 Looho D12/209
D663,671 S * 7/2012 Song D12/211
D894,081 S * 8/2020 Liu D12/209
D978,052 S * 2/2023 Liu D12/209

FOREIGN PATENT DOCUMENTS

CN 201630200650.0 * 3/2017
JP D2021-02392 * 9/2022

OTHER PUBLICATIONS

Amazon, posted May 7, 2018 [online], [retrieved Apr. 27, 2023]. Retrieved from internet, <https://www.amazon.com/Hubcaps-Standard-Steel-Wheels-Covers/dp/B075ZH491V/> (Year: 2018).*

* cited by examiner

Primary Examiner — Jennifer L Rempfer
Assistant Examiner — Aaron C Fowler
(74) *Attorney, Agent, or Firm* — IPRO, PLLC

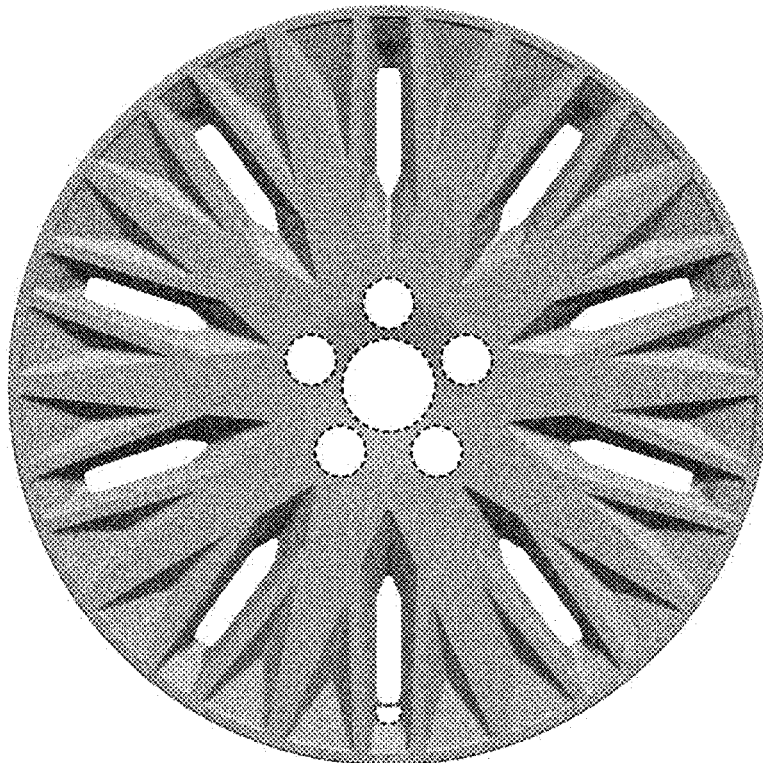
(57) **CLAIM**

The ornamental design for a vehicle wheel, as shown and described.

DESCRIPTION

FIG. 1 is a front view of a vehicle wheel. FIG. 2 is a perspective view of the vehicle wheel; and, FIG. 3 is a left side view of the vehicle wheel. In the drawings the broken lines depict portions of the wheel that form no part of the claimed design.

1 Claim, 3 Drawing Sheets



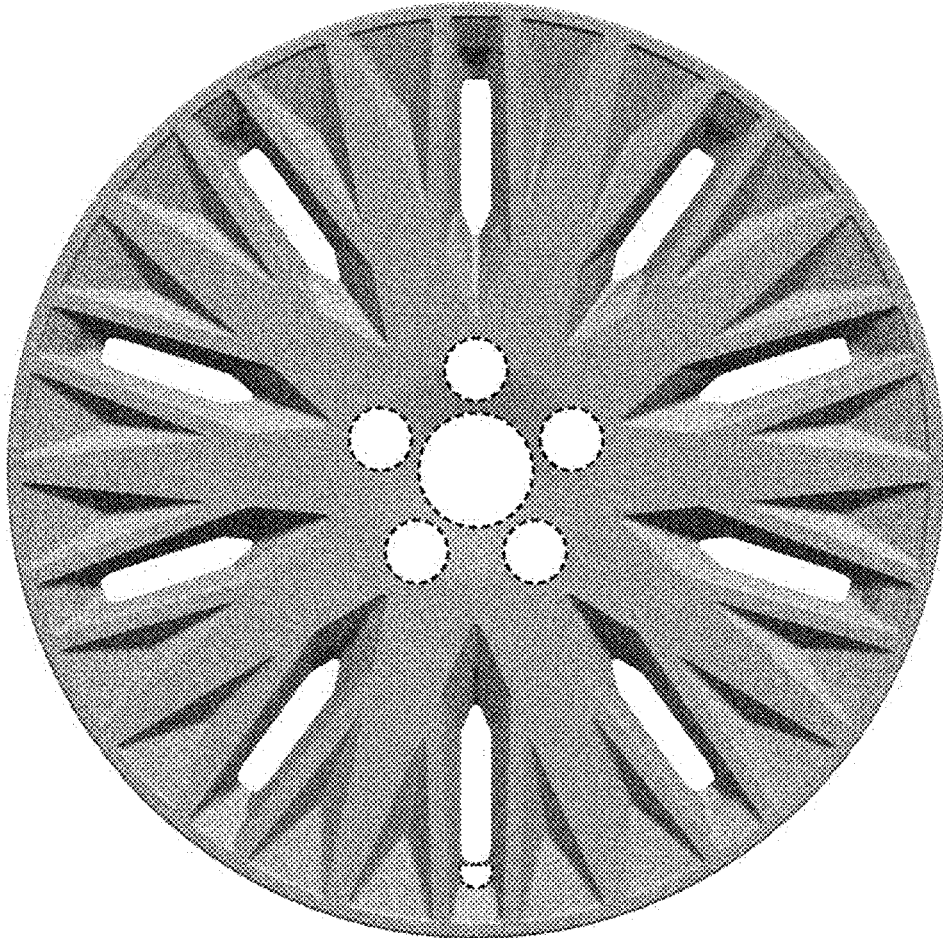


FIG. 1

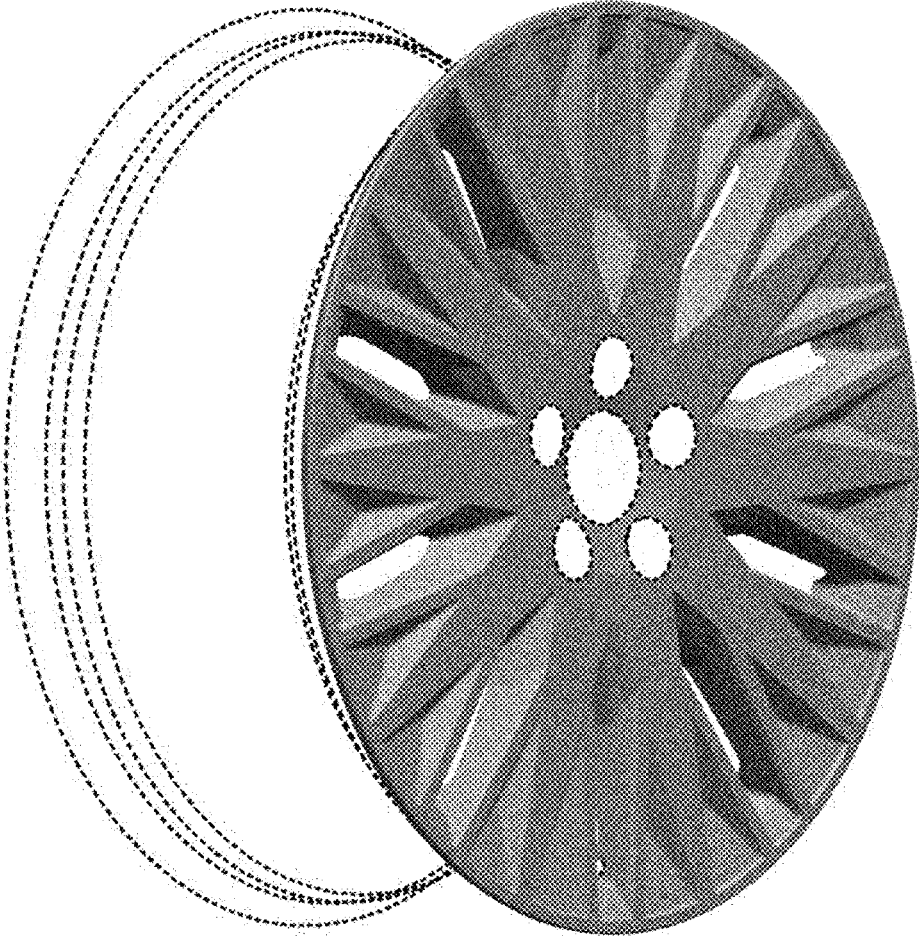


FIG. 2

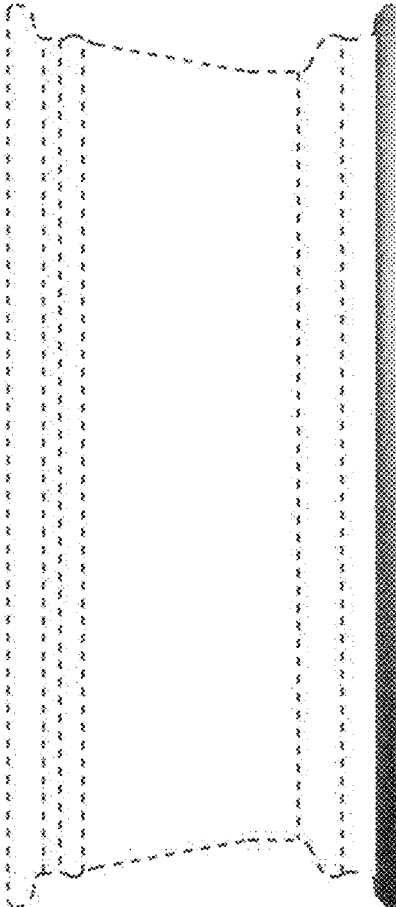


FIG. 3