



US00D655418S

(12) **United States Design Patent**  
**Hancock**

(10) **Patent No.:** **US D655,418 S**

(45) **Date of Patent:** **\*\* Mar. 6, 2012**

(54) **LEG SUPPORT APPARATUS**

(76) Inventor: **Roger G. Hancock**, Woodlands, TX  
(US)

(\*\*) Term: **14 Years**

(21) Appl. No.: **29/387,339**

(22) Filed: **Mar. 11, 2011**

(51) **LOC (9) Cl.** ..... **24-01**

(52) **U.S. Cl.** ..... **D24/183**

(58) **Field of Classification Search** ..... D24/183-184,  
D24/213, 215, 200, 212, 190, 188, 172, 128;  
D6/502, 595, 596, 601, 653; 128/845, 869;  
5/636-640, 644; 602/16

See application file for complete search history.

(56) **References Cited**

**U.S. PATENT DOCUMENTS**

3,717,144	A	*	2/1973	Bimler	.....	602/16
D296,932	S	*	7/1988	Tranghese	.....	D6/502
D345,797	S	*	4/1994	Gardner	.....	D24/183
D354,356	S	*	1/1995	Shiflett	.....	D24/183
D359,804	S	*	6/1995	Carter	.....	D24/183
D361,383	S	*	8/1995	Lipson et al.	.....	D24/183
D375,163	S	*	10/1996	Lipson et al.	.....	D24/183
D376,428	S	*	12/1996	Lipson et al.	.....	D24/183
D413,981	S	*	9/1999	Swedberg et al.	.....	D24/190
D424,698	S	*	5/2000	Ames	.....	D24/190
D475,757	S	*	6/2003	Silverman et al.	.....	D24/188

D518,894	S	*	4/2006	Kim	.....	D24/184
D521,301	S	*	5/2006	Dickson	.....	D6/601
D535,030	S	*	1/2007	Brefka et al.	.....	D24/184
D553,371	S	*	10/2007	Haskell	.....	D6/353
D561,341	S	*	2/2008	Riley	.....	D24/184
D565,734	S	*	4/2008	Scott	.....	D24/183
D584,820	S	*	1/2009	Scott	.....	D24/183
D603,967	S	*	11/2009	Berry et al.	.....	D24/184
D604,420	S	*	11/2009	Riley	.....	D24/183
D612,942	S	*	3/2010	Verdon-Roe	.....	D24/172
D622,377	S	*	8/2010	Jackson	.....	D24/128
D625,421	S	*	10/2010	Sharps et al.	.....	D24/184
D633,620	S	*	3/2011	Avett et al.	.....	D24/183
D642,694	S	*	8/2011	Sharps et al.	.....	D24/190

\* cited by examiner

*Primary Examiner* — T. Chase Nelson

*Assistant Examiner* — Mark Cavanna

(57) **CLAIM**

The ornamental design for a leg support apparatus, as shown.

**DESCRIPTION**

FIG. 1 is a perspective view of the leg support apparatus of the present invention;

FIG. 2 is a rear elevation view thereof;

FIG. 3 is a front elevation view thereof;

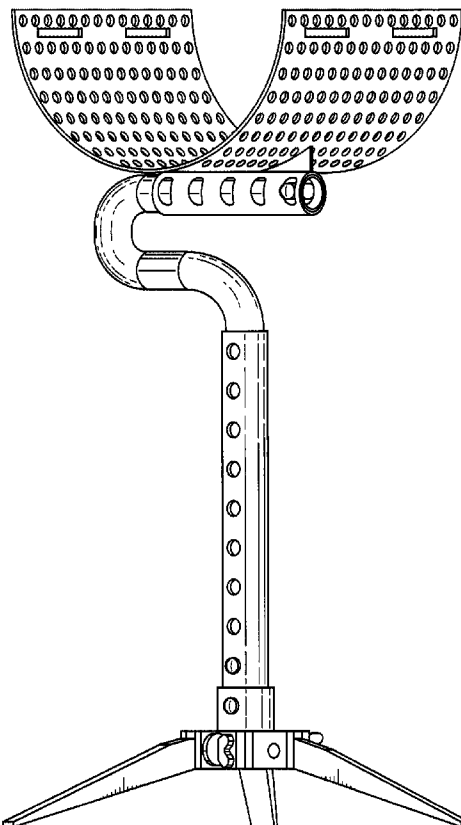
FIG. 4 is a left side elevation view thereof;

FIG. 5 is a right side elevation view thereof;

FIG. 6 is a top plan view thereof; and,

FIG. 7 is a bottom plan view thereof.

**1 Claim, 7 Drawing Sheets**



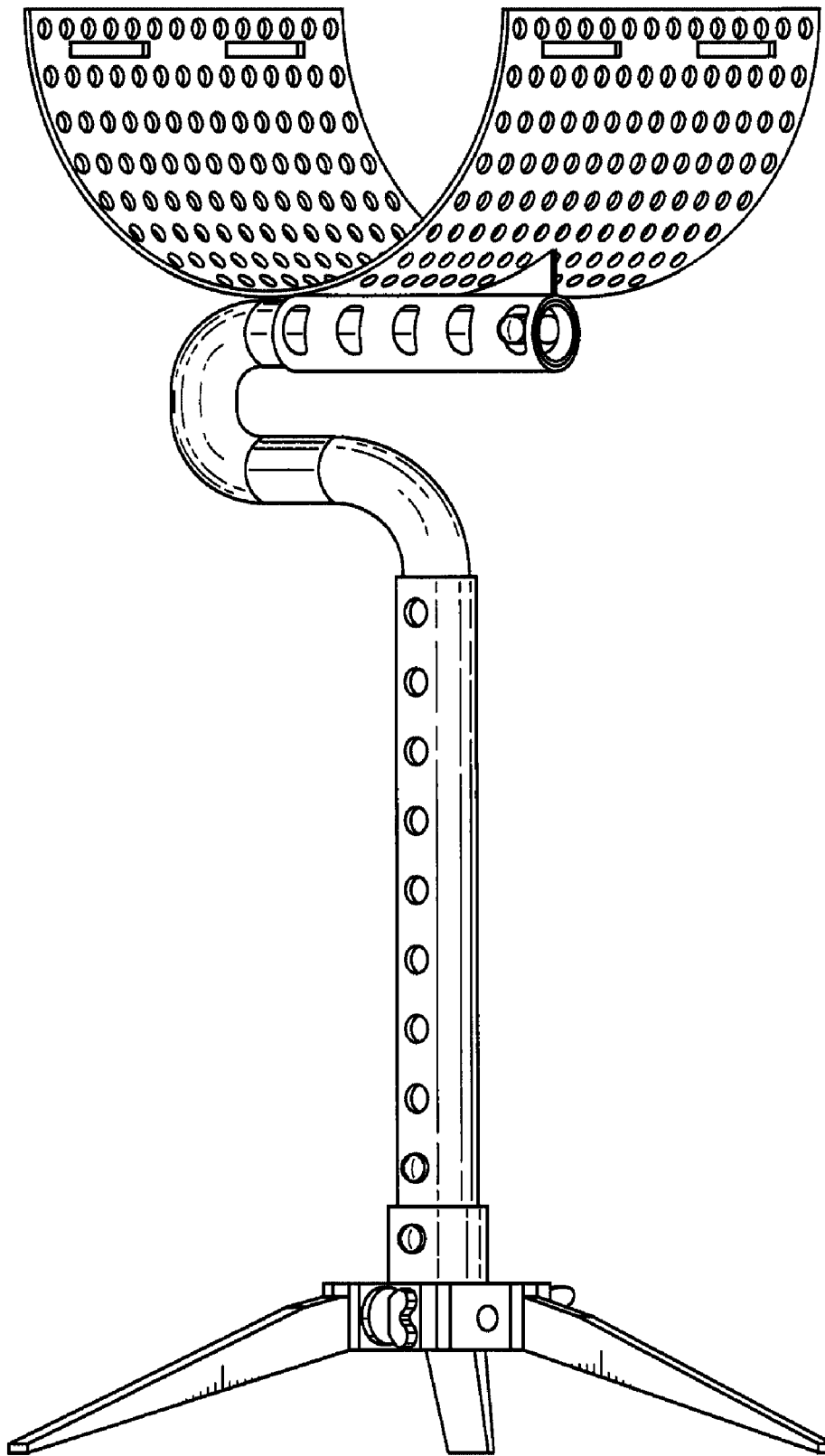


FIG. 1

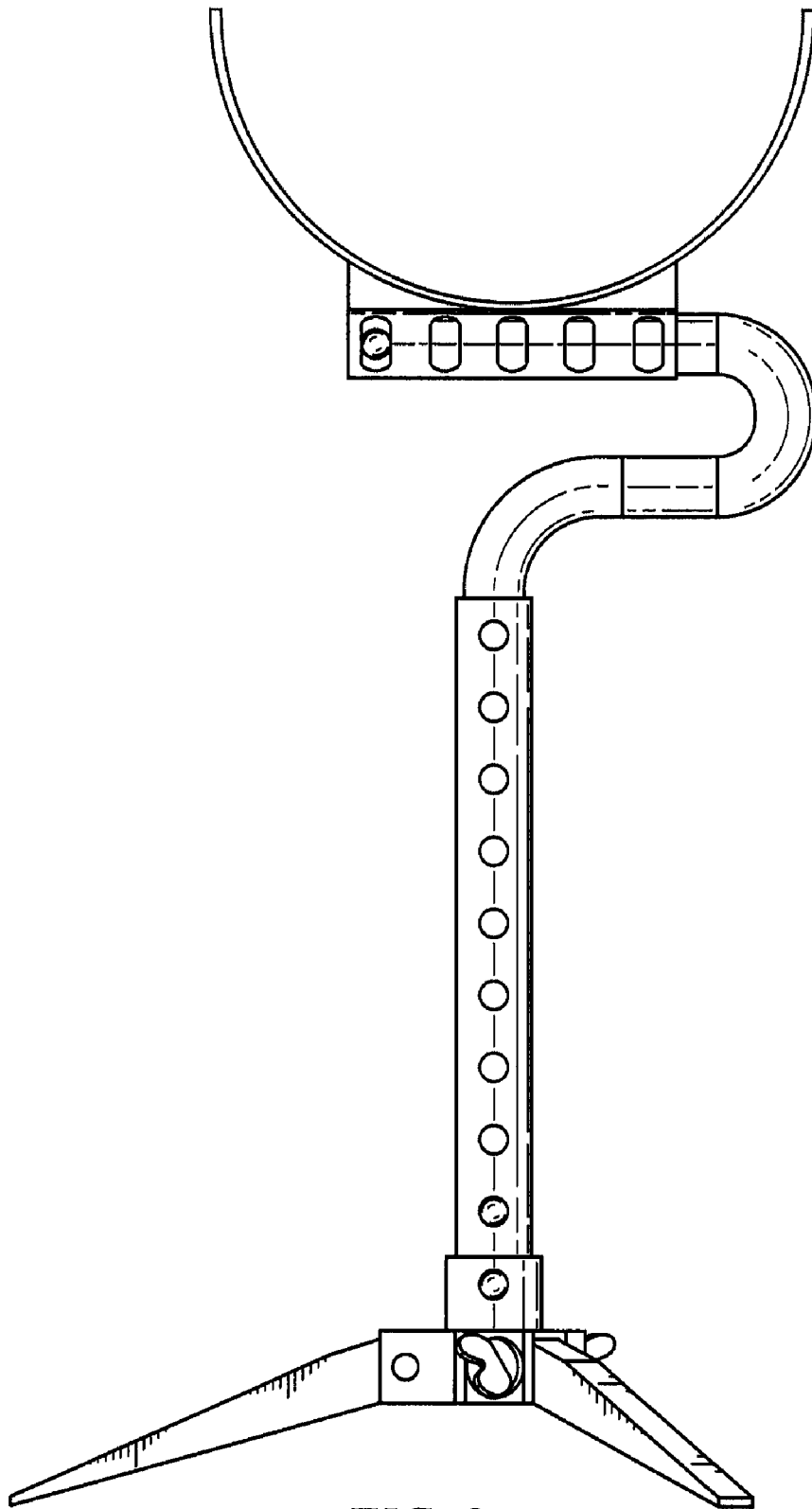


FIG. 2

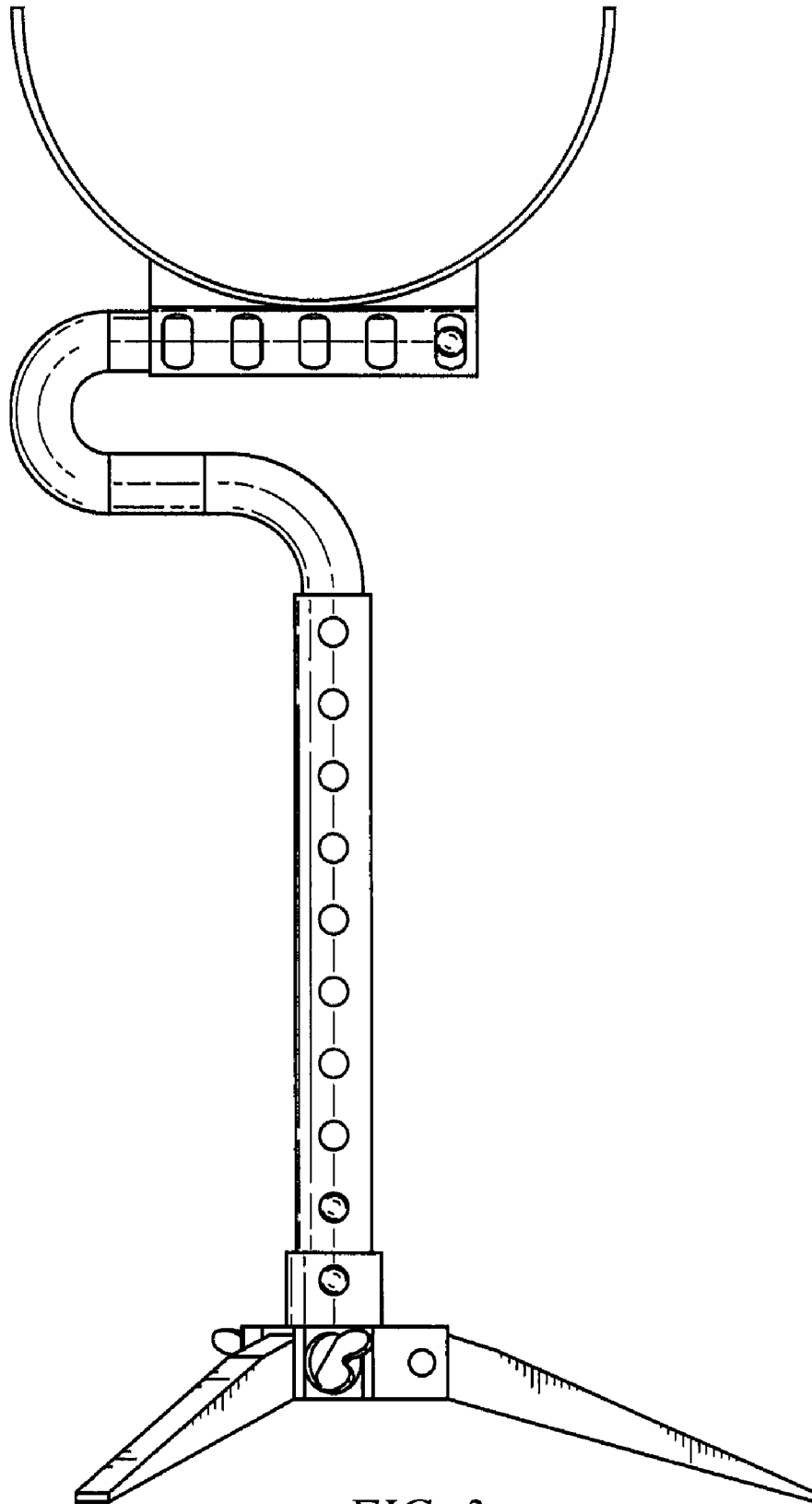


FIG. 3

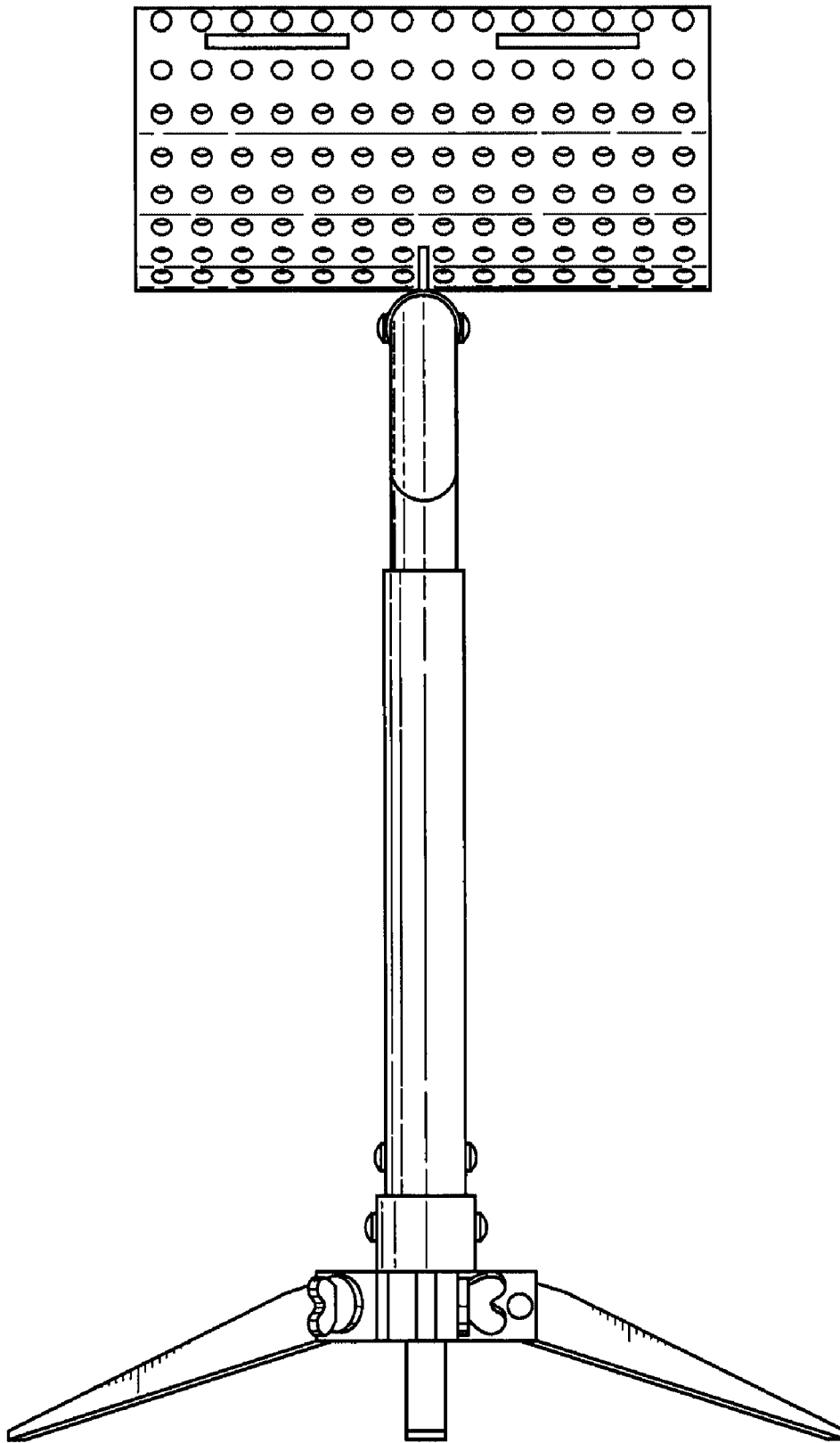


FIG. 4

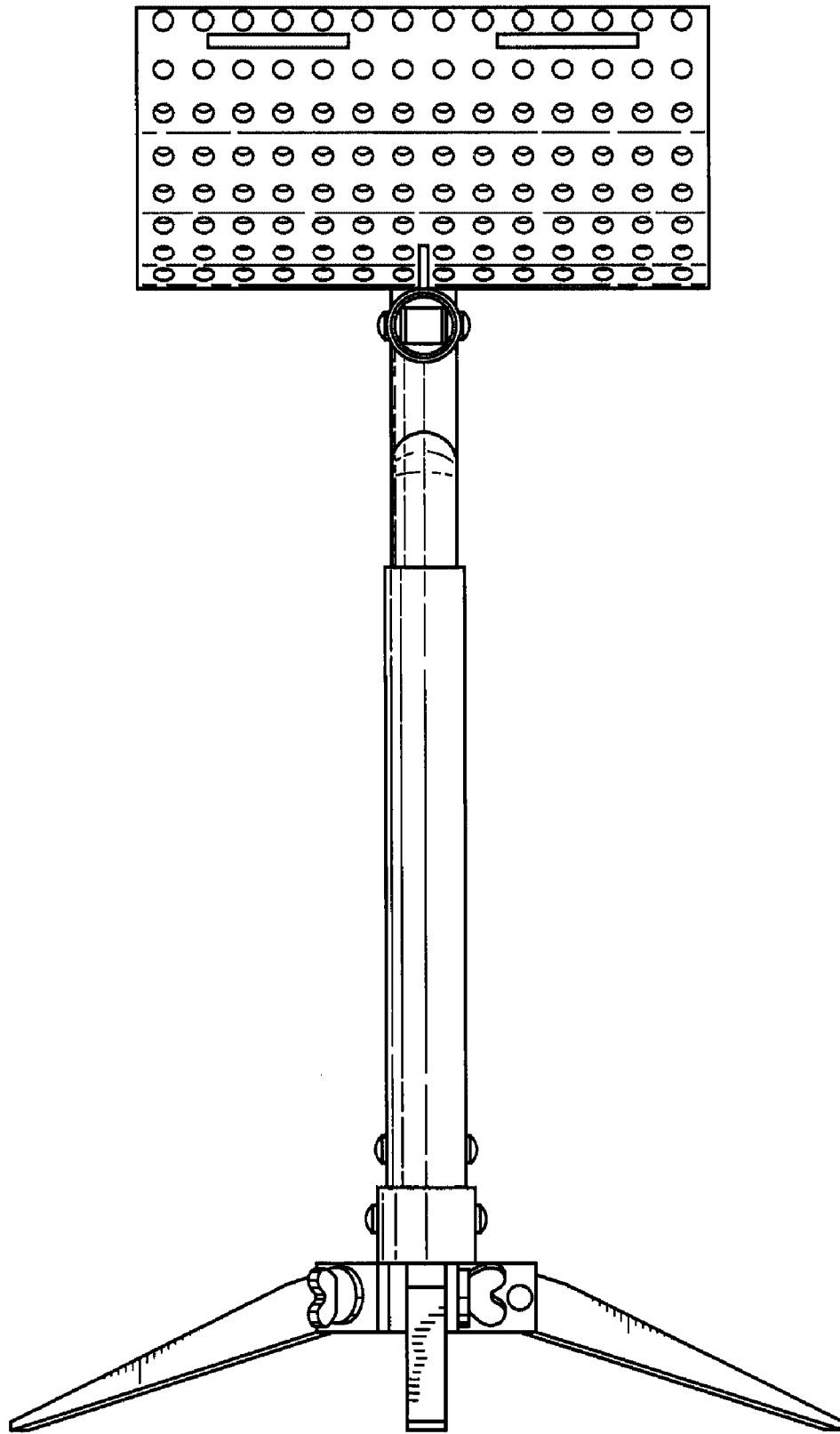


FIG. 5

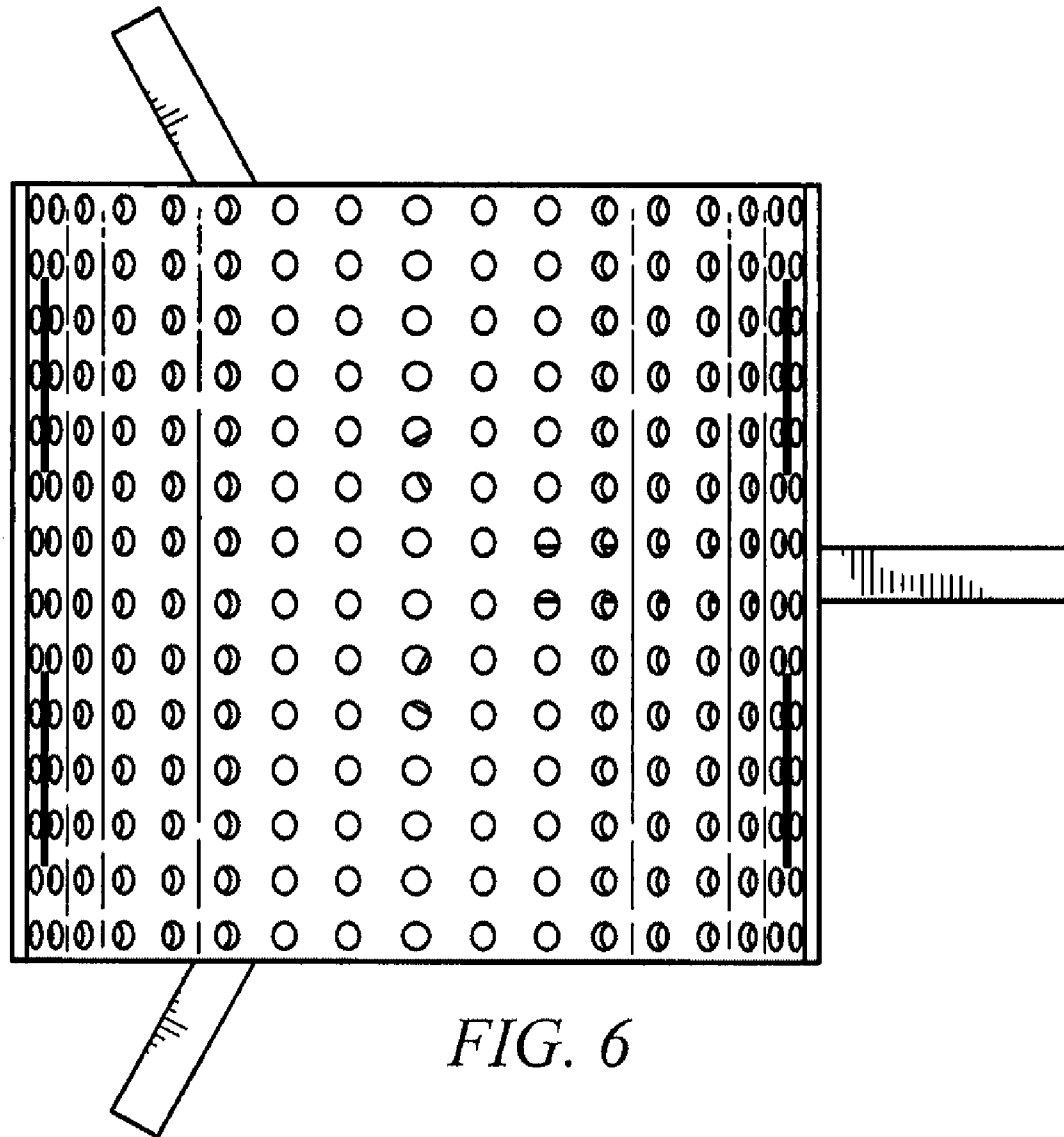


FIG. 6

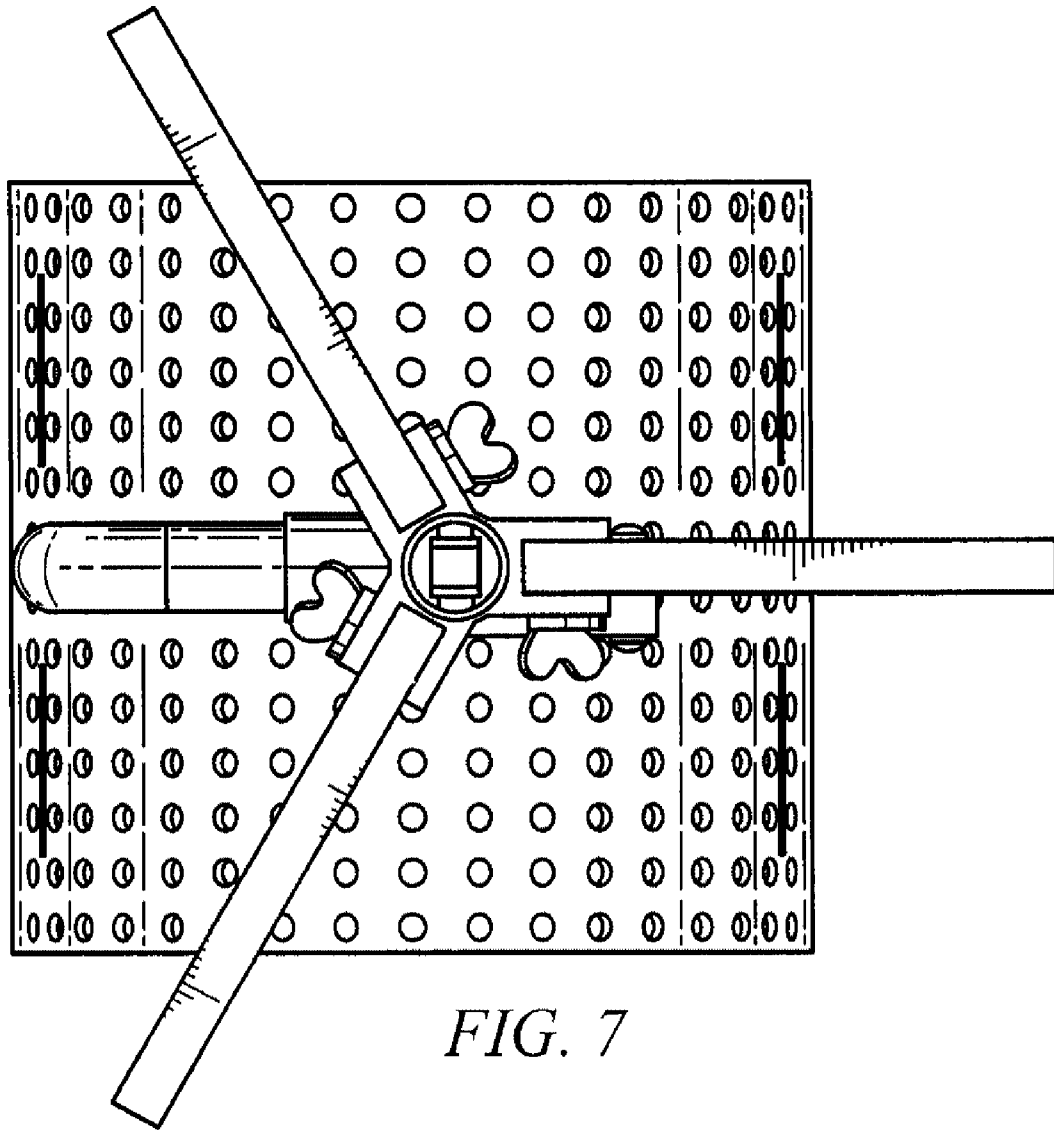


FIG. 7