



US00D689502S

(12) **United States Design Patent**  
**Belitz et al.**

(10) **Patent No.:** **US D689,502 S**

(45) **Date of Patent:** **\*\* Sep. 10, 2013**

(54) **DEVICE SUPPORT APPARATUS**  
(71) Applicant: **Swift Distribution, Inc.**, Torrance, CA (US)

566,361 A 8/1896 White  
688,623 A 12/1901 Forry  
730,062 A 6/1903 Widmer

(Continued)

(72) Inventors: **Michael Belitz**, Manhattan Beach, CA (US); **Patrick M. Bertsch**, Thornton, CO (US)

**FOREIGN PATENT DOCUMENTS**

WO 2004065841 8/2004  
WO 2004066667 8/2004

(Continued)

(73) Assignee: **Swift Distribution, Inc.**, Torrance, CA (US)

**OTHER PUBLICATIONS**

Ultimate Support Systems, Inc. 1993 Product Catalog (Music Stand Edition).

(Continued)

(\*\*) Term: **14 Years**

(21) Appl. No.: **29/443,598**

(22) Filed: **Jan. 18, 2013**

*Primary Examiner* — Angela J Lee

(74) *Attorney, Agent, or Firm* — Santangelo Law Offices, P.C.

(51) **LOC (9) Cl.** ..... **08-07**

(52) **U.S. Cl.**  
USPC ..... **D14/447**

(57) **CLAIM**

The ornamental design for a device support apparatus, as shown and described.

(58) **Field of Classification Search**  
USPC ..... D14/432, 433, 434, 439, 440, 451, D14/452, 239, 217, 224.1, 251, 252, 253, D14/457, 458, 459, 460, 461; D6/406.1, D6/406.2, 406.3, 406.4, 406.5, 406.6; 361/679.06, 679.21, 679.22, 679.24, 679.26, 361/679.27, 679.28, 679.3, 679.55, 679.56, 361/709; 248/917-924, 133, 136, 139, 150, 248/176.1, 188.6; D12/415

**DESCRIPTION**

FIG. 1 is a front view of a device support apparatus showing our new design;  
FIG. 2 is a rear view thereof;  
FIG. 3 is a top view thereof;  
FIG. 4 is a bottom view thereof;  
FIG. 5 is a right view thereof;  
FIG. 6 is a left view thereof;  
FIG. 7 is a perspective view thereof;  
FIG. 8 is a front view thereof, but showing the leg (kickstand) in an alternate position for storage;  
FIG. 9 is a rear view thereof;  
FIG. 10 is a top view thereof;  
FIG. 11 is a bottom view thereof;  
FIG. 12 is a right view thereof;  
FIG. 13 is a left view thereof; and,  
FIG. 14 is a perspective view thereof.

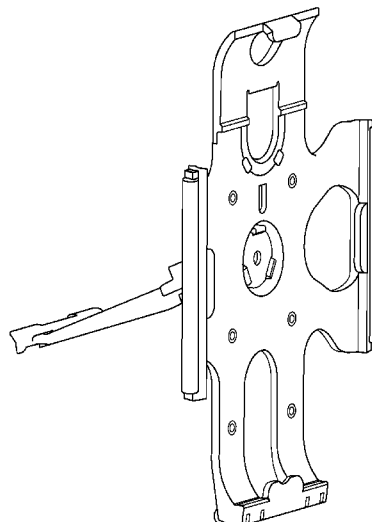
See application file for complete search history.

(56) **References Cited**

**U.S. PATENT DOCUMENTS**

169,383 A 11/1875 Starr  
230,851 A 8/1880 Anthony  
259,957 A 6/1882 White  
368,426 A 8/1887 Ruttman et al.  
D18,940 S 2/1889 Jackson  
414,962 A 11/1889 Anderson  
438,238 A 10/1890 Jefferies et al.

**1 Claim, 14 Drawing Sheets**



(56)

## References Cited

## U.S. PATENT DOCUMENTS

742,453 A	10/1903	Lake	4,430,017 A	2/1984	Stefancich
824,596 A	6/1906	Smith	4,445,415 A	5/1984	Izquierdo
958,052 A	5/1910	Williams	4,453,446 A	6/1984	Hoshino
1,309,375 A	6/1919	Taylor	4,479,414 A	10/1984	Willis
1,376,593 A	5/1921	Tuttle	4,497,092 A	2/1985	Hoshino
1,574,899 A	3/1926	Kellogg	4,576,501 A	3/1986	McConnell
1,612,148 A	12/1926	Oettinger	4,579,229 A	4/1986	Porcaro et al.
1,672,605 A	6/1928	Dobrick	4,593,596 A	6/1986	Gauger
1,673,205 A	6/1928	Romao	4,596,484 A	6/1986	Nakatani
1,684,912 A	9/1928	Dunklau	4,606,525 A	8/1986	Lombardi
1,863,756 A	6/1932	Lufkin	4,634,307 A	1/1987	Gnaedinger et al.
1,970,624 A	8/1934	Recker	D288,755 S	3/1987	Schoenig
D120,114 S	4/1940	Waechter	D289,952 S	5/1987	Kido
2,196,338 A	4/1940	McDaniel	D290,355 S	6/1987	Nagele
D137,960 S	5/1944	Hagar	4,669,691 A	6/1987	Solomon
D139,445 S	11/1944	Barger	4,671,479 A	6/1987	Johnson et al.
2,630,342 A	3/1953	Gilmont	4,684,091 A	8/1987	Moreschi
2,652,221 A	9/1953	Kampa	4,691,610 A	9/1987	Gilbert
2,662,164 A	12/1953	Murray	4,691,611 A	9/1987	May
2,727,708 A	12/1955	Lorenzen	4,693,161 A	9/1987	Uhrig
2,754,616 A	7/1956	Law	4,695,021 A	9/1987	Leinfelder
2,767,003 A	10/1956	Gilmont	4,697,773 A	10/1987	Jaumann et al.
2,817,548 A	12/1957	Uthemann	4,712,756 A	12/1987	Kester et al.
2,902,592 A	9/1959	Cole et al.	D295,471 S	5/1988	Lindskog
3,191,484 A	6/1965	Walling	4,744,536 A	5/1988	Bancalari
3,290,770 A	12/1966	Silverman et al.	4,744,690 A	5/1988	Hsieh
3,338,539 A	8/1967	Foster	D296,130 S	6/1988	Riske
3,405,587 A	10/1968	Meazzi et al.	4,761,092 A	8/1988	Nakatani
3,463,520 A	8/1969	Turro	4,763,864 A	8/1988	Healy
3,495,853 A	2/1970	Furrer	4,763,865 A	8/1988	Danner
3,514,091 A	5/1970	Johnson et al.	4,768,798 A	9/1988	Reed et al.
3,526,380 A	9/1970	Tong	4,770,380 A	9/1988	Eason et al.
3,535,976 A	10/1970	Osuga	4,785,708 A	11/1988	Vaughan
3,576,149 A	4/1971	Slingerland, Jr.	D298,813 S	12/1988	Borromeo
3,603,623 A	9/1971	Widman	D299,244 S	1/1989	Jones et al.
3,604,734 A	9/1971	Friedman et al.	4,796,508 A	1/1989	Hoshino
3,704,645 A	12/1972	Grauso et al.	4,807,837 A	2/1989	Gawlik et al.
3,709,454 A	1/1973	Hyde	4,818,135 A	4/1989	Desjardins
3,711,054 A	1/1973	Bauer	4,844,392 A	7/1989	Bauer et al.
3,737,137 A	6/1973	Sheehan	4,852,830 A	8/1989	Howard et al.
D229,132 S	11/1973	Uroshevich	4,865,346 A	9/1989	Carlile
3,788,587 A	1/1974	Stemmler	D304,270 S	10/1989	Goldman
3,804,355 A	4/1974	Uroshevich	4,890,531 A	1/1990	Tischer
3,823,245 A	7/1974	Suzuki	D306,943 S	4/1990	Hodge et al.
3,843,083 A	10/1974	Angibaund	4,917,341 A	4/1990	Pirchio
2,433,594 A	12/1974	Calo	4,923,156 A	5/1990	Linneusson
3,881,675 A	5/1975	Matchett	4,946,122 A	8/1990	Ramsey et al.
D236,227 S	8/1975	Kester	4,948,076 A	8/1990	Sumrell et al.
3,945,291 A	3/1976	Zickos	4,958,793 A	9/1990	Hess
3,958,786 A	5/1976	Mann	4,971,271 A	11/1990	Sularz
3,981,491 A	9/1976	Snyder	4,988,064 A	1/1991	Hoshino
3,989,211 A	11/1976	Gundlach	4,988,150 A	1/1991	Lindow et al.
3,989,321 A	11/1976	McCloskey	5,029,796 A	7/1991	Schoenig
3,997,724 A	12/1976	Seebinger	D320,034 S	9/1991	Brooks et al.
4,010,922 A	3/1977	Heller et al.	5,048,789 A	9/1991	Eason et al.
4,061,302 A	12/1977	Boone	5,060,894 A	10/1991	Hillinger
4,078,757 A	3/1978	Waters	D321,293 S	11/1991	Kucsak
4,102,219 A	7/1978	Plamper	5,062,606 A	11/1991	Hoshino
4,108,423 A	8/1978	Skubal	5,063,821 A	11/1991	Battle
4,111,575 A	9/1978	Hoshino	5,069,254 A	12/1991	Vogelsang
4,140,415 A	2/1979	Koyamoto	D323,081 S	1/1992	Schaffer
4,141,272 A	2/1979	Yanagisawa	5,078,351 A	1/1992	Gualtieri
4,158,981 A	6/1979	Kurosaki	5,109,321 A	4/1992	Maglica
4,185,936 A	1/1980	Takahashi	D326,108 S	5/1992	Sassmannshausen
4,227,049 A	10/1980	Thomson et al.	5,112,020 A	5/1992	Ginsberg
D257,987 S	1/1981	Schoenig	5,112,071 A	5/1992	Jones
4,307,864 A	12/1981	Benoit	D326,969 S	6/1992	Eason et al.
4,321,874 A	3/1982	Cenna	D328,898 S	8/1992	Christie
D264,852 S	6/1982	Schoenig	5,140,889 A	8/1992	Segan et al.
4,352,480 A	10/1982	Gathright	D329,342 S	9/1992	Schoenig
4,357,651 A	11/1982	Mayer	5,154,449 A	10/1992	Suei/Long
D268,458 S	4/1983	Schoenig	5,161,761 A	11/1992	May
4,397,088 A	8/1983	Hampel	5,165,635 A	11/1992	Hoshino
4,405,107 A	9/1983	Clyburn	5,169,104 A	12/1992	Kwoh
4,408,924 A	10/1983	Huebner	5,182,416 A	1/1993	Schweizer
			D332,882 S	2/1993	Graves
			5,188,321 A	2/1993	Hirschenson et al.
			5,199,930 A	4/1993	Weber
			D335,889 S	5/1993	Gibran

## US D689,502 S

Page 3

5,208,736 A	5/1993	Crooks et al.	5,979,856 A	11/1999	Hsu
5,213,296 A	5/1993	Lee	5,996,814 A	12/1999	Workman et al.
D336,099 S	6/1993	Schoenig	D421,447 S	3/2000	Eason et al.
5,251,925 A	10/1993	Haley, Sr.	6,045,179 A	4/2000	Harrison
5,301,910 A	4/1994	Lang et al.	6,054,645 A	4/2000	Gauger
D346,920 S	5/1994	Vidal	6,062,396 A	5/2000	Eason
5,312,076 A	5/1994	Rogov	6,070,835 A	6/2000	Stillinger
5,332,250 A	7/1994	Thorwall et al.	6,073,903 A	6/2000	Lindsay
5,337,646 A	8/1994	Austin	6,075,190 A	6/2000	Mosser et al.
5,340,066 A	8/1994	Ditch	6,093,878 A	7/2000	Hoshino
5,358,204 A	10/1994	Terada	2,096,956 A	8/2000	Hoshino
D353,729 S	12/1994	MacOwan	6,121,538 A	9/2000	Yoshino et al.
5,375,497 A	12/1994	Pirchio et al.	D435,365 S	12/2000	Eason et al.
5,383,637 A	1/1995	Biber	6,189,229 B1	2/2001	Thomas et al.
5,390,764 A	2/1995	Kerber	D438,783 S	3/2001	Elliott
5,392,476 A	2/1995	Williams	D445,274 S	7/2001	Gasmi
5,393,161 A	2/1995	Mata et al.	6,260,812 B1	7/2001	Auke
D356,759 S	3/1995	Pawsat	6,264,396 B1	7/2001	Dobrovolny
5,395,088 A	3/1995	Ginsberg	6,271,458 B1	8/2001	Yoshino et al.
D356,901 S	4/1995	Schoenig et al.	6,283,421 B1	9/2001	Eason et al.
D358,048 S	5/1995	Schoenig et al.	D450,339 S	11/2001	Eason
D360,887 S	8/1995	Karnaze	6,312,184 B1	11/2001	Hoshino
5,454,473 A	10/1995	Hennessey	D451,494 S	12/2001	Oikawa
D364,281 S	11/1995	Eason	6,338,738 B1	1/2002	Bellotti et al.
D364,516 S	11/1995	Helenowski	6,343,802 B1	2/2002	Workman et al.
5,467,680 A	11/1995	Kurosaki	6,344,605 B1	2/2002	Liao
5,467,953 A	11/1995	Malizia	6,346,665 B1	2/2002	Liao
5,498,098 A	3/1996	Cairns	D454,263 S	3/2002	Worrall
5,501,544 A	3/1996	Cairns	6,375,135 B1	4/2002	Eason et al.
5,505,413 A	4/1996	Hennessey	6,384,308 B1	5/2002	Hoshino
5,509,629 A	4/1996	Sassmannshausen et al.	6,386,786 B1	5/2002	Perlman et al.
5,520,292 A	5/1996	Lombardi	6,394,408 B1	5/2002	Henderson et al.
D370,575 S	6/1996	Lechleiter et al.	6,484,977 B1	11/2002	Yu
5,531,148 A	7/1996	Wilson	D468,433 S	1/2003	Wagner et al.
5,531,413 A	7/1996	Wolf et al.	D470,336 S	2/2003	Malizia
D372,691 S	8/1996	Eason	6,513,774 B2	2/2003	Hailson
5,565,889 A	10/1996	Crooks et al.	6,513,846 B2	2/2003	McCauley
D375,639 S	11/1996	House et al.	6,520,465 B1	2/2003	Sack et al.
5,570,968 A	11/1996	Sassmannshausen et al.	D471,891 S	3/2003	Oikawa
5,572,237 A	11/1996	Crooks et al.	6,536,720 B1	3/2003	Yu
5,603,480 A	2/1997	Chen	6,557,878 B2	5/2003	Chen
5,645,253 A	7/1997	Hoshino	6,563,035 B2	5/2003	Hsieh
5,660,364 A	8/1997	Hsieh	D475,555 S	6/2003	Lauts
D383,967 S	9/1997	DeMars	6,581,892 B2	6/2003	Carnevali
5,664,756 A	9/1997	Liao	6,610,916 B1	8/2003	Torrez
5,667,185 A	9/1997	Maglica	6,619,598 B2	9/2003	DeMiranda
5,669,695 A	9/1997	Parker et al.	D481,563 S	11/2003	Hsieh
D390,953 S	2/1998	Ward et al.	6,653,540 B2	11/2003	Izen et al.
5,713,547 A	2/1998	Yu	6,666,427 B2	12/2003	Hennessey
5,713,553 A	2/1998	Cooper	6,670,536 B2	12/2003	Godin et al.
5,726,369 A	3/1998	Gilday	6,676,570 B2	1/2004	Valentino
5,732,928 A	3/1998	Chang	6,695,268 B1	2/2004	Hsieh
5,738,326 A	4/1998	Liao	D488,803 S	4/2004	Chin
5,744,738 A	4/1998	Gatzen	6,719,257 B1	4/2004	Greene et al.
5,746,741 A	5/1998	Kraus et al.	6,722,810 B1	4/2004	Tachikawa
D696,579	8/1998	Kalayjian	D492,587 S	7/2004	Eason
5,803,642 A	9/1998	Sassmannshausen	D493,363 S	7/2004	Eason
5,804,747 A	9/1998	Chen	6,789,772 B2	9/2004	Eason
D400,565 S	11/1998	Ahl	D497,904 S	11/2004	Dardashti
D400,735 S	11/1998	House et al.	6,814,332 B2	11/2004	Eason
5,833,051 A	11/1998	Tiefenbrun et al.	6,830,225 B2	12/2004	Kato
5,857,649 A	1/1999	Eason	6,830,227 B2	12/2004	Nakatani
5,860,728 A	1/1999	Maglica	D506,219 S	6/2005	Eason
5,881,667 A	3/1999	Herbert	D506,918 S	7/2005	Nakajima
5,894,406 A	4/1999	Blend et al.	6,988,696 B2	1/2006	Attee
5,895,874 A	4/1999	Liao	D515,555 S	2/2006	Liang
D409,020 S	5/1999	Hardin	7,005,568 B2	2/2006	Hsieh
D409,594 S	5/1999	Lepack	7,007,901 B2	3/2006	Kondo
5,899,627 A	5/1999	Dobrovolny	7,007,909 B2	3/2006	Hsieh
D411,698 S	6/1999	Kalayjian	7,055,910 B2	6/2006	Wright
5,911,523 A	6/1999	Burchart	7,191,988 B2	3/2007	Kim et al.
5,926,961 A	7/1999	Uhl	D555,946 S	11/2007	DeJule
5,929,355 A	7/1999	Adinolfi	D557,035 S	12/2007	Huang
5,934,628 A	8/1999	Bosnakovic	7,320,449 B2	1/2008	Hsieh
5,949,008 A	9/1999	Augsburger	D562,307 S	2/2008	Warden
5,949,009 A	9/1999	Chen	D567,547 S	4/2008	Gauger
D414,962 S	10/1999	Welsh	7,358,320 B2	4/2008	Rajagopalan et al.
5,973,248 A	10/1999	Chen	7,384,078 B2	6/2008	Cobb et al.
D416,464 S	11/1999	Eason	7,412,069 B2	8/2008	Workman et al.

D576,870 S 9/2008 Eason et al.  
 D578,103 S 10/2008 Matsuoka  
 D579,926 S 11/2008 Whitworth  
 D579,927 S 11/2008 Whitworth  
 D580,262 S 11/2008 Eason et al.  
 D581,697 S 12/2008 Fix  
 D581,698 S 12/2008 Fix  
 D582,697 S 12/2008 Goodman et al.  
 7,468,480 B1 12/2008 Sikra  
 D585,432 S 1/2009 Baker  
 D589,151 S 3/2009 Sabio  
 7,534,965 B1 5/2009 Thompson  
 7,560,633 B1 7/2009 Wang  
 D601,817 S 10/2009 Barbieri  
 7,628,360 B2 12/2009 Anthes et al.  
 7,632,999 B2 12/2009 Wilkerson  
 7,637,686 B2 12/2009 Wood et al.  
 D613,092 S 4/2010 Eason et al.  
 D623,331 S 9/2010 Rotwitt  
 7,805,881 B2 10/2010 Kavanaugh  
 7,928,304 B2 4/2011 Eason et al.  
 D639,088 S 6/2011 Rodgers et al.  
 D640,707 S \* 6/2011 Yeh ..... D14/447  
 3,514,066 A1 6/2011 Singleton et al.  
 D641,610 S \* 7/2011 Sedalo ..... D8/354  
 D643,230 S 8/2011 Hepeng  
 D646,501 S 10/2011 Hepeng  
 D646,505 S 10/2011 Eason  
 8,075,217 B2 12/2011 Eason  
 D652,190 S 1/2012 Slaton et al.  
 8,106,278 B2 1/2012 Eason  
 D653,668 S \* 2/2012 Song et al. .... D14/447  
 D658,651 S \* 5/2012 Lee et al. .... D14/452  
 D660,305 S \* 5/2012 Ho et al. .... D14/447  
 D666,205 S \* 8/2012 Li et al. .... D14/452  
 D667,819 S 9/2012 Slaton  
 D669,481 S \* 10/2012 Prescott et al. .... D14/447  
 D669,890 S \* 10/2012 Hopkins et al. .... D14/251  
 D673,960 S \* 1/2013 Lindfield et al. .... D14/447  
 D674,803 S \* 1/2013 Westrup ..... D14/440  
 D674,804 S \* 1/2013 Cote ..... D14/447  
 8,382,059 B2 \* 2/2013 Le Gette et al. .... 248/460  
 2001/0020668 A1 9/2001 Thomas et al.  
 2002/0030146 A1 3/2002 Akaike  
 2002/0100852 A1 8/2002 Eason et al.  
 2002/0109051 A1 8/2002 Kitagawa et al.  
 2002/0169460 A1 11/2002 Foster  
 2002/0194979 A1 12/2002 Hsieh  
 2003/0140766 A1 7/2003 Izen et al.  
 2003/0178544 A1 9/2003 Anderson  
 2004/0144233 A1 7/2004 Hsieh  
 2004/0175013 A1 9/2004 Gleissner  
 2004/0245416 A1 12/2004 Atlee  
 2005/0035247 A1 2/2005 Roberts et al.  
 2006/0052237 A1 3/2006 Spaether et al.  
 2006/0060113 A1 3/2006 Chang  
 2006/0175523 A1 8/2006 Tai  
 2006/0177260 A1 8/2006 Liao  
 2006/0185495 A1 8/2006 Hsieh  
 2006/0198628 A1 9/2006 Knightlinger  
 2007/0001413 A1 1/2007 Rossini  
 2007/0262567 A1 11/2007 Benson et al.  
 2008/0078914 A1 4/2008 Liao  
 2008/0135697 A1 6/2008 Workman et al.  
 2008/0229901 A1 9/2008 Eason et al.  
 2008/0247810 A1 10/2008 Eason  
 2008/0253601 A1 10/2008 Hilderman  
 2009/0215545 A1 8/2009 King et al.  
 2010/0042111 A1 2/2010 Qureshi  
 2010/0116121 A1 5/2010 Eason  
 2010/0163693 A1 7/2010 Wang  
 2010/0181441 A1 7/2010 Yu  
 2010/0243828 A1 9/2010 Lippert et al.  
 2010/0301188 A1 12/2010 Schimelfenyg  
 2010/0313735 A1 12/2010 Steinhause et al.  
 2011/0019992 A1 \* 1/2011 Orf ..... 396/419  
 2011/0154975 A1 6/2011 Belitz et al.  
 2011/0239844 A1 10/2011 Eason et al.  
 2011/0271516 A1 11/2011 Slaton

FOREIGN PATENT DOCUMENTS

WO 2005070132 A2 4/2005  
 WO 2004070184 8/2005  
 WO 2005070123 A2 8/2005  
 WO 2008134653 11/2008  
 WO 2009091929 7/2009

OTHER PUBLICATIONS

Ultimate Support Systems, Inc. 1994 Product Catalog (Music Stand Edition).  
 Ultimate Support Systems, Inc. 1996 Product Catalog (Music Stand Edition).  
 Ultimate Support Systems, Inc. 1998 Product Catalog (Music Stand Edition).  
 Ultimate Support Systems, Inc. 1999 Product Catalog (Music Stand Edition).  
 Ultimate Support Systems, Inc. 2000 Product Catalog (Music Stand Edition).  
 Ultimate Support Systems, Inc. 2001 Product Catalog (Music Stand Edition).  
 Ultimate Support Systems, Inc. 2002 Product Catalog (Music Stand Edition).  
 Ultimate Support Systems, Inc. 2003 Product Catalog (Music Stand Edition).  
 Ultimate Support Systems, Inc. 2004 Product Catalog (Music Stand Edition).  
 Ultimate Support Systems, Inc. 2005 Product Catalog (Music Stand Edition).  
 Ultimate Support Systems, Inc. 2008 Product Catalog (Music Stand Edition).  
 Ultimate Support Systems, Inc. 2010 Product Catalog (Music Stand Edition).  
 Konig & Meyer Spider Keyboard Stand, audioMIDI.com Dec. 28, 2004.  
 Gibraltar Hardware, "Rack Factory" #GRS400C, Gibraltarhardware.com, Jan. 9, 2004, 2 pages.  
 Gibraltar Hardware, "Rack Factory" GRS400C, Gibraltarhardware.com, Oct. 25, 2004, 2 pages, Ride/Crash Overhead Station and Xhat to boom and Rack Options.  
 Gibraltar Hardware, "Rack Factory" GRS400C, Gibraltarhardware.com, Oct. 25, 2004, 2 pages, MiniSnare on Curved Support Tube Option.  
 Gibraltar Hardware, "Rack Factory" GRS400C and GRS150C, Gibraltarhardware.com, Oct. 25, 2004, 2 pages, Boom Arm to Rack and Multi-Cymbal Overhead Station Options.  
 Gibraltar Hardware, "Rack Factory" GRS250C, Gibraltarhardware.com, Oct. 25, 2004, 2 pages, MultiCymbal Setup to rack, Mini Timbale to Rack, Tambourine to Open Tube, and Percussion Table to Open Tube Options.  
 Gibraltar Hardware, "Rack Factory" GRS350C, Gibraltarhardware.com, Oct. 25, 2004, 2 pages, Triple Cymbal Station to Rack and Large Tom to Rack Options.  
 Pintechn, USA, Control the Sound with America's E Drum Color Brochure, 2004, 5 pages.  
 Roland Corporation, roland.com MDS-10RD, printed from website as of Nov. 5, 2004.  
 Roland Corporation, roland.com MDS-8C, printed from website as of Nov. 5, 2004.  
 Roland Corporation, roland.com MDS-6, printed from website as of Nov. 5, 2004.  
 Tama Hardware, PMD300FC Power Tower System, tama.com, Jan. 9, 2004, 1 page.  
 Tama Hardware, PMD800SS Power Tower System, tama.com, Jan., 9, 2004, 2 pages.  
 Yamaha Percussion System Drum Rack, not later than Jan. 18, 2012.  
 U.S. Appl. No. 61/588,081, filed Jan. 18, 2012, entitled Adjustable Computer Tablet Holder.

\* cited by examiner

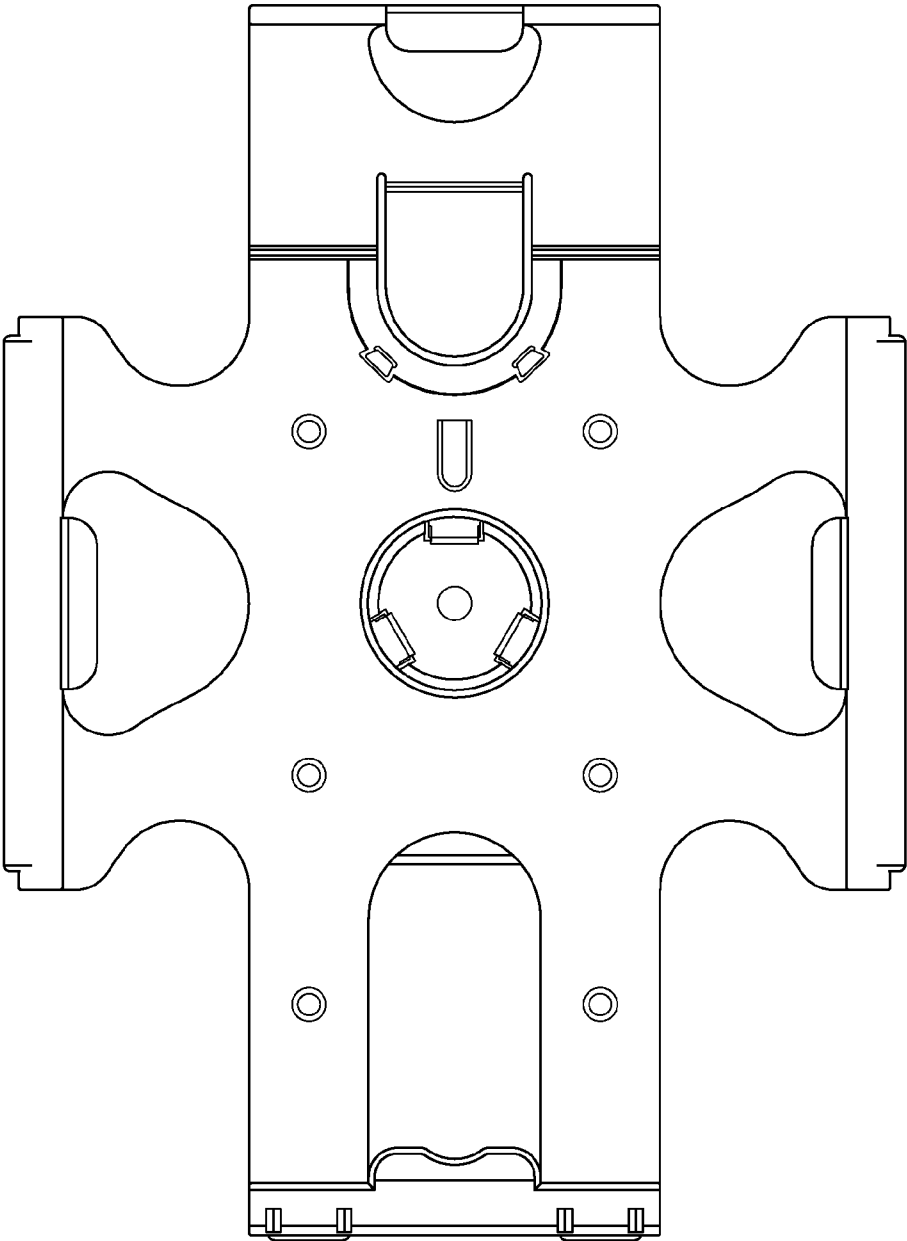


Fig. 1

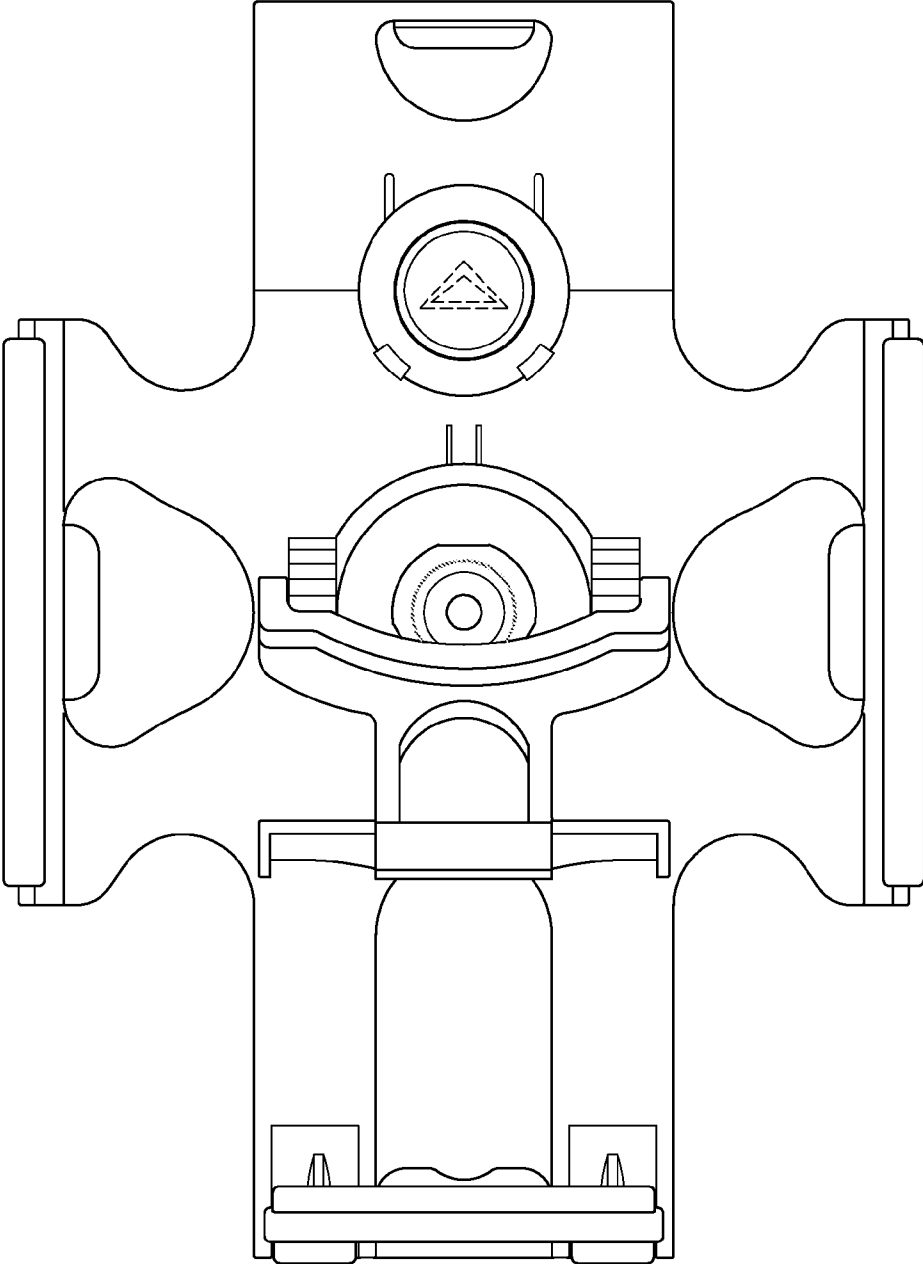


Fig. 2

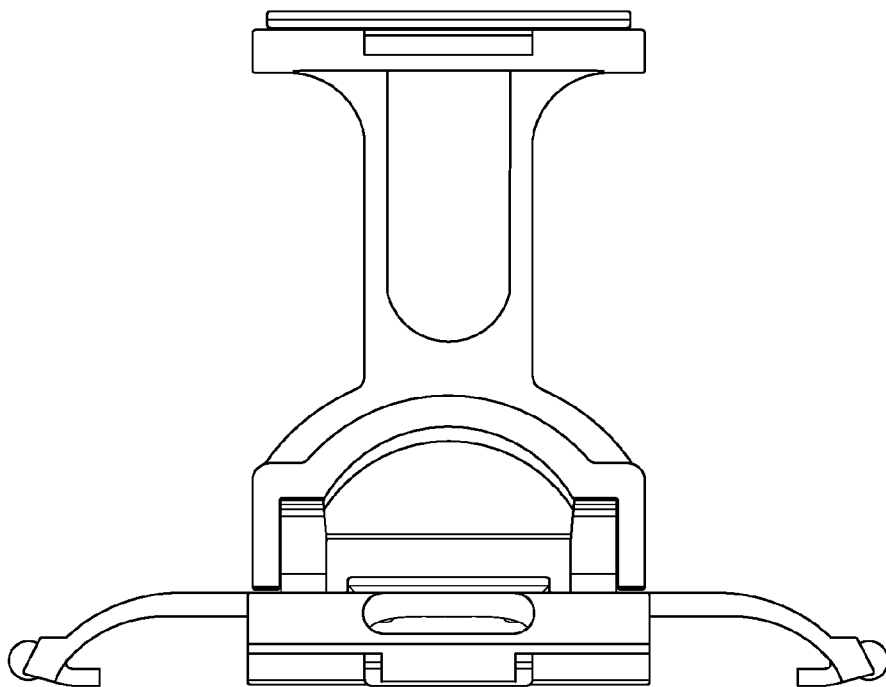


Fig. 3

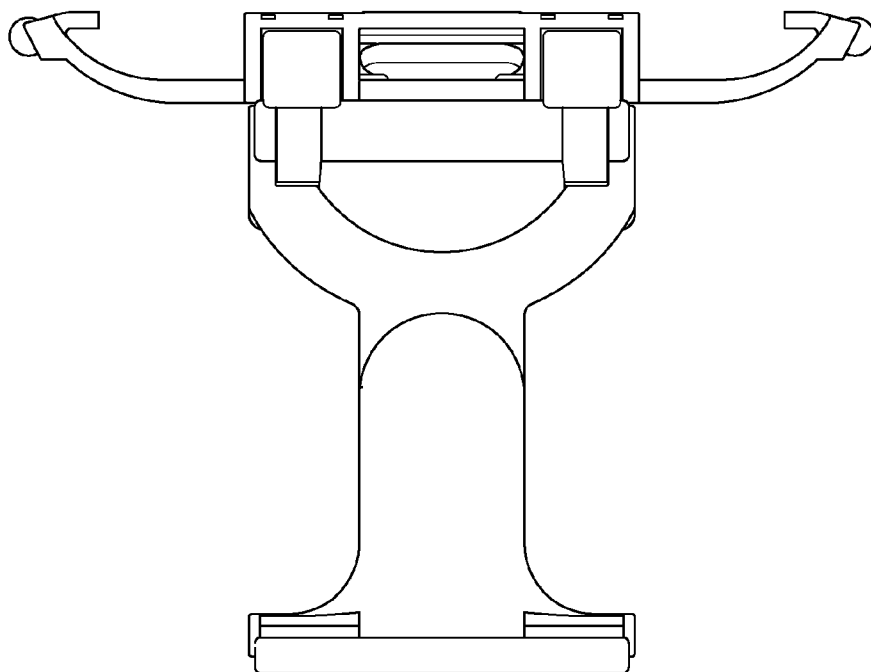


Fig. 4



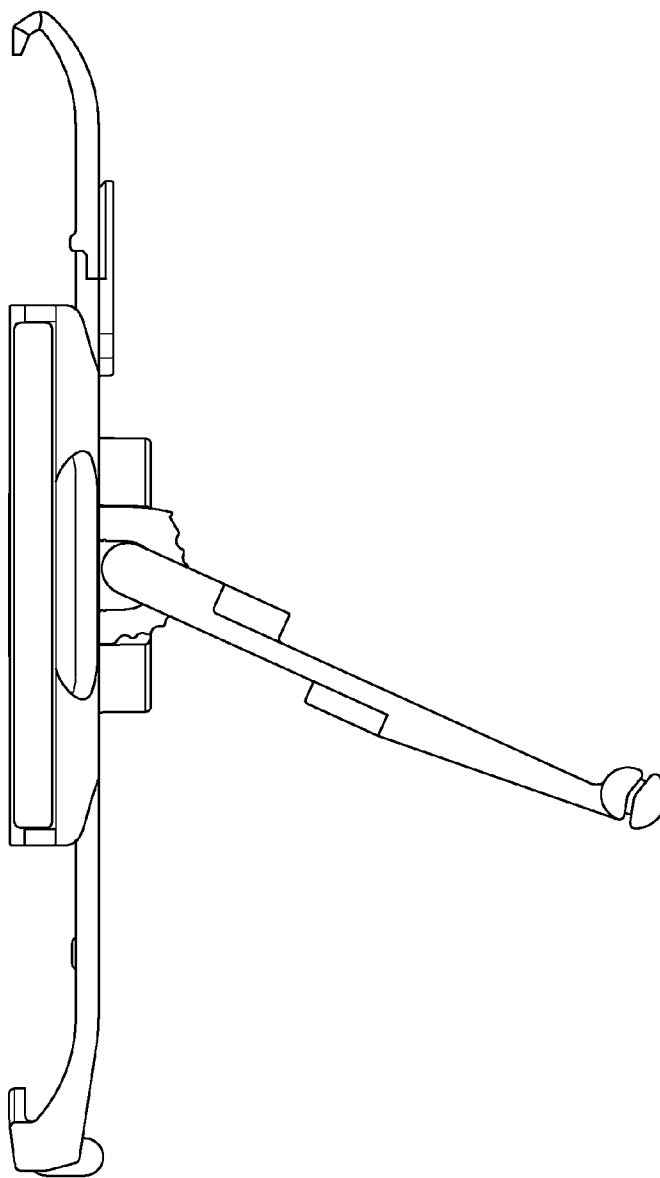


Fig. 5

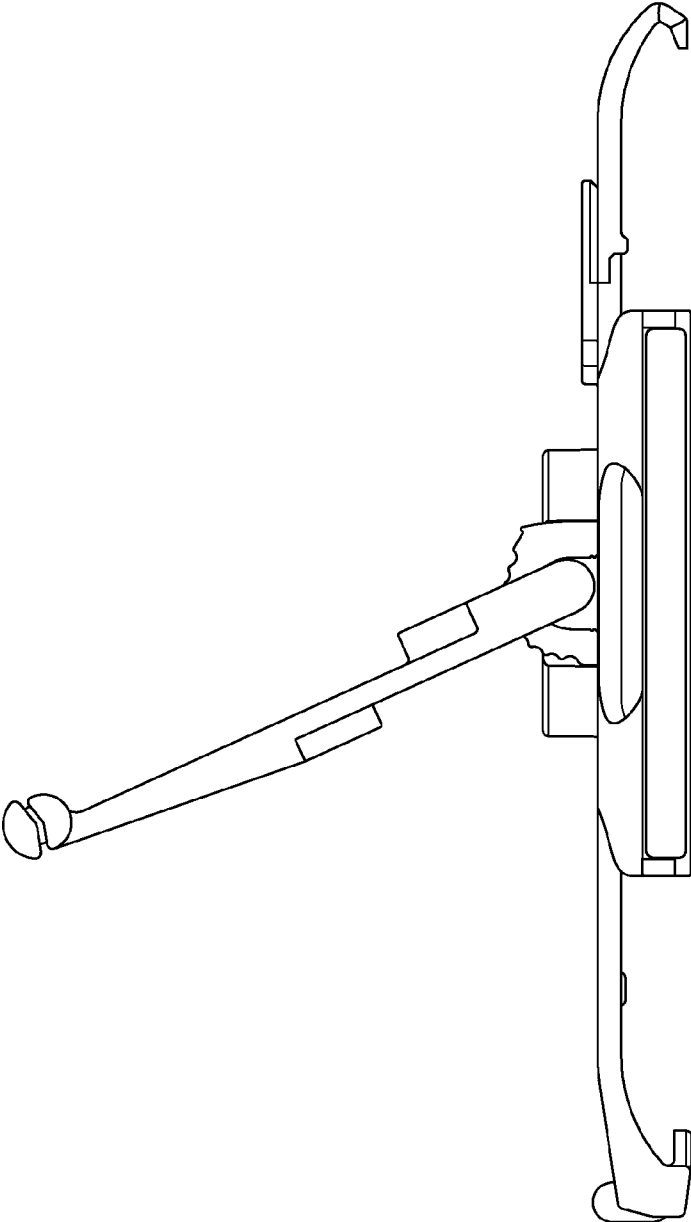


Fig. 6

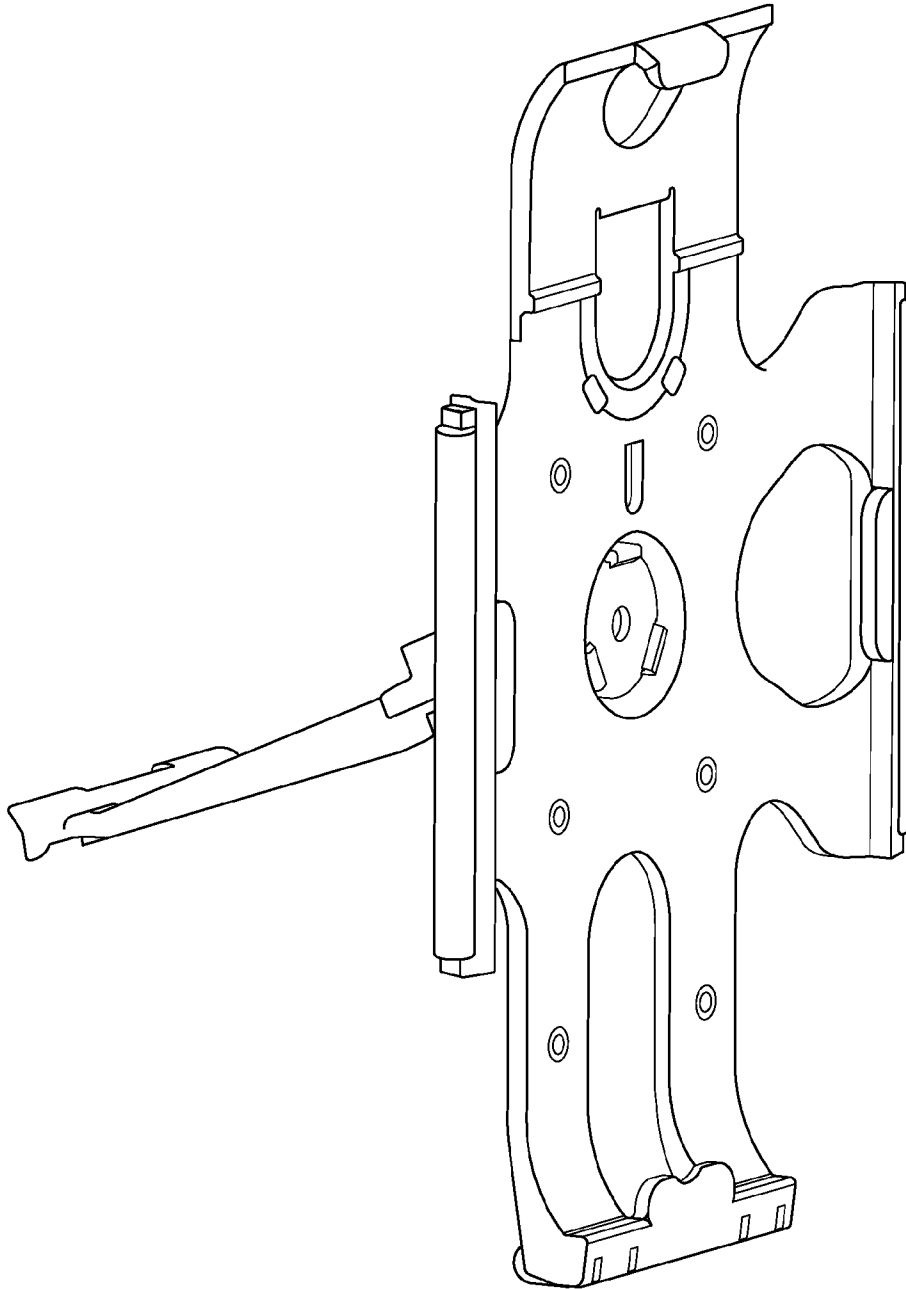


Fig. 7

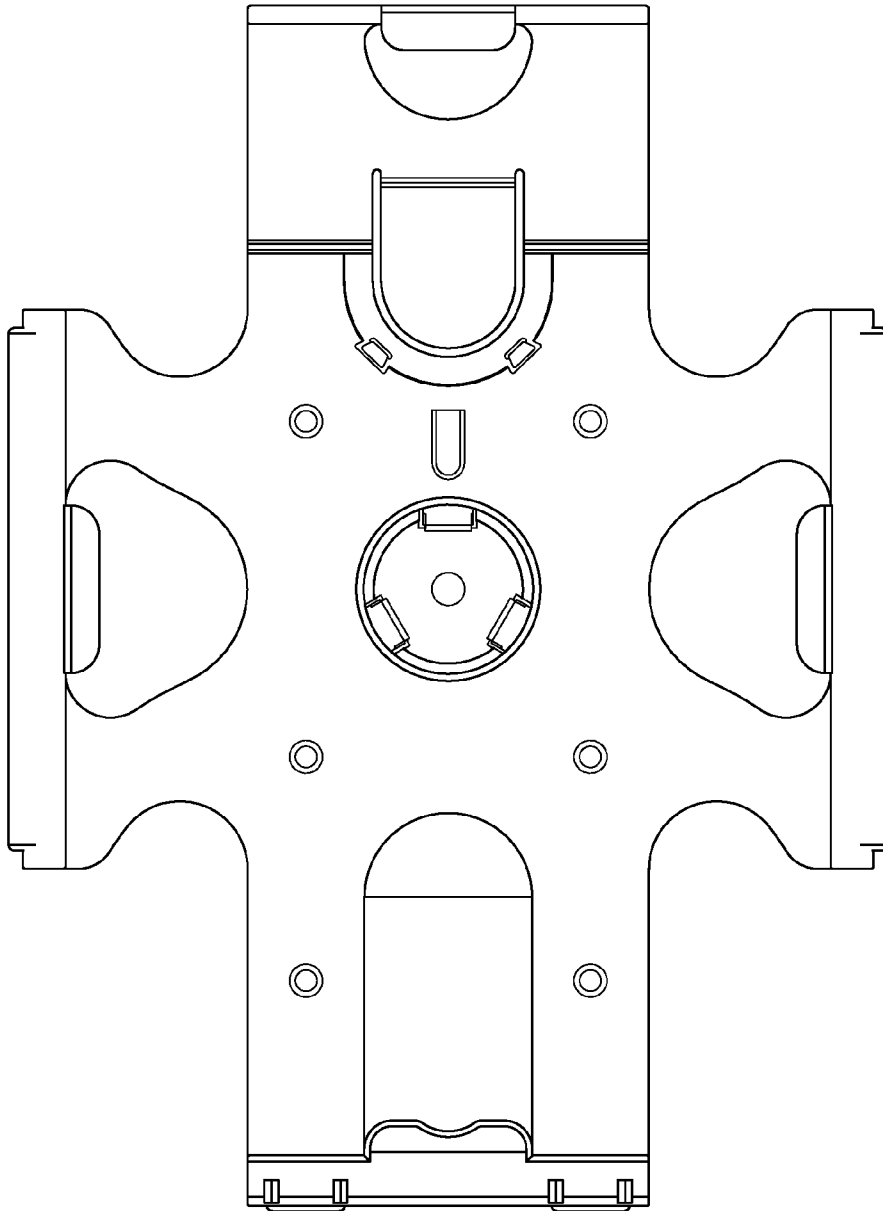


Fig. 8

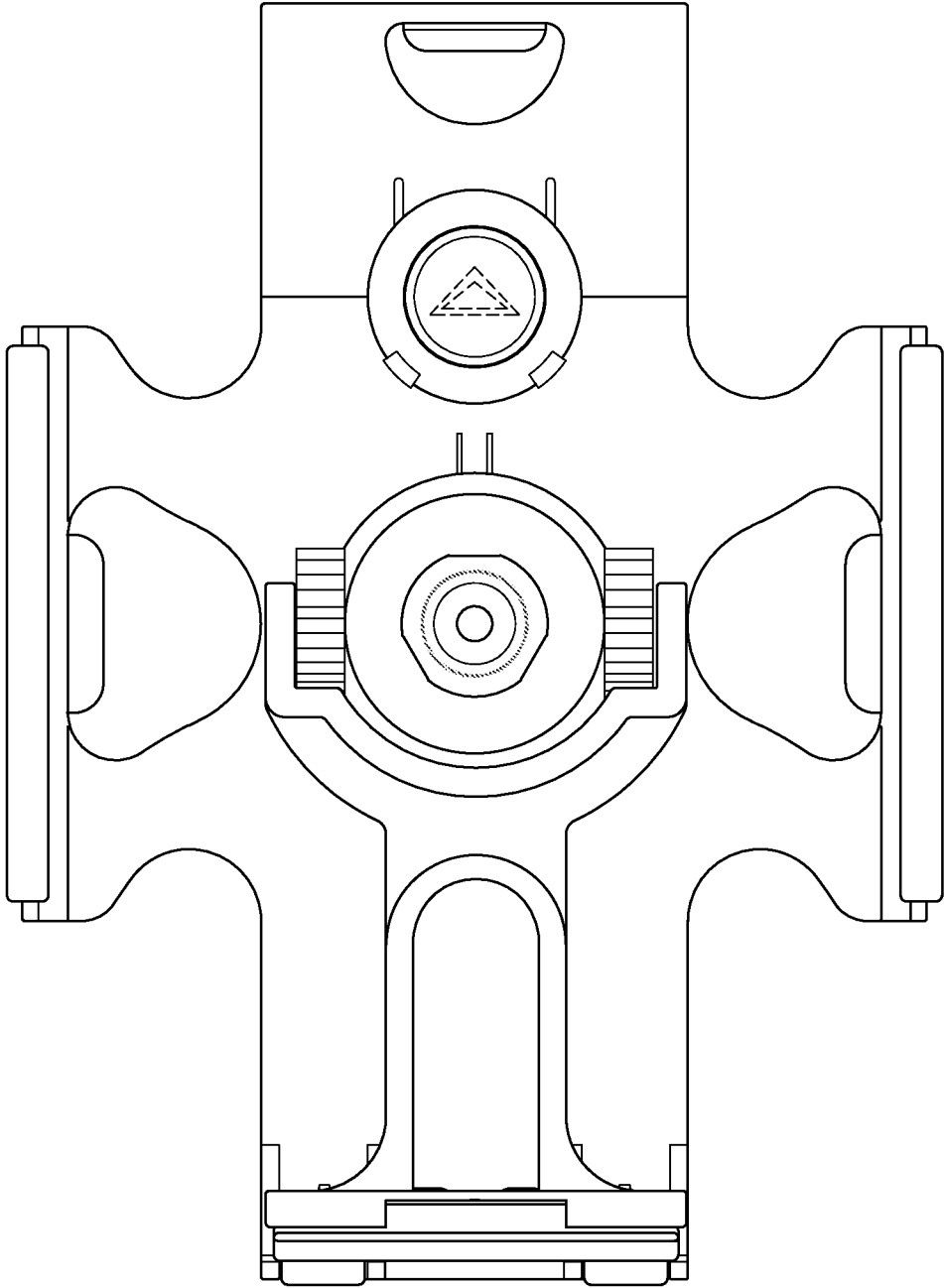


Fig. 9

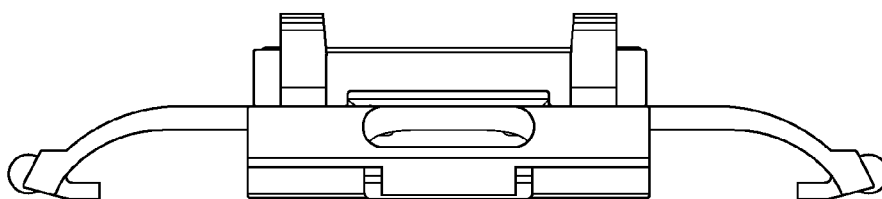


Fig. 10

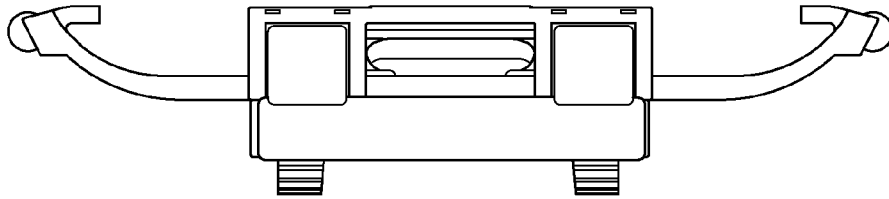


Fig. 11

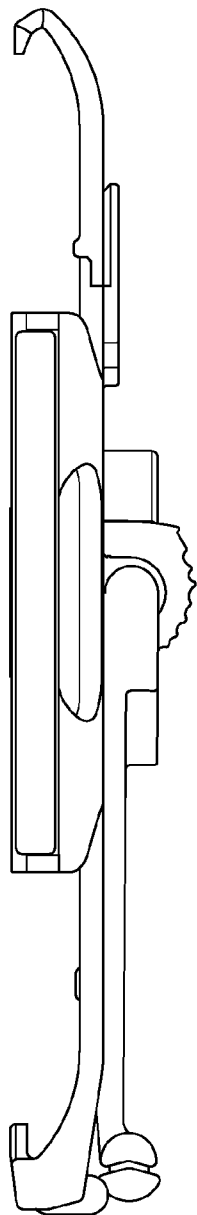


Fig. 12



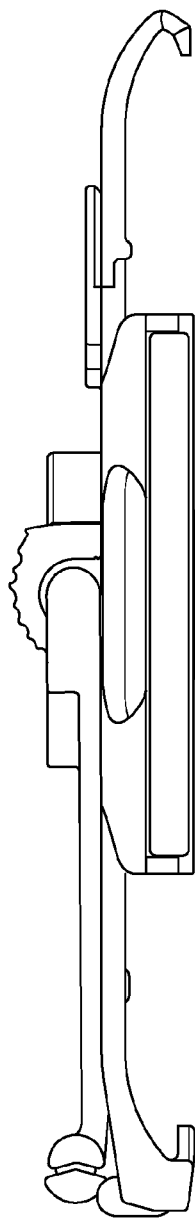


Fig. 13

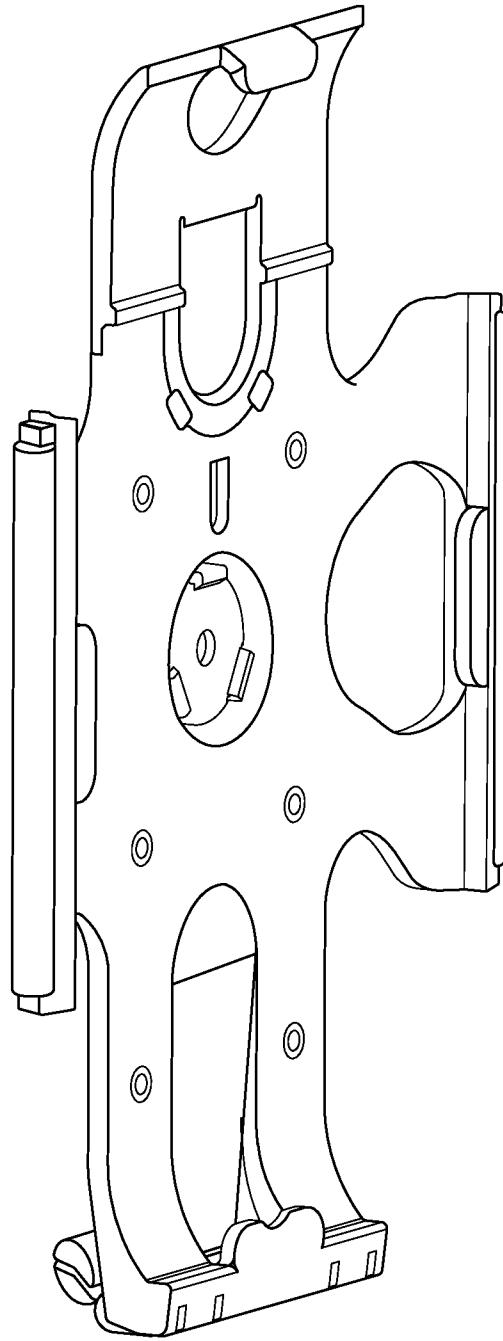


Fig. 14