

(19) World Intellectual Property Organization
International Bureau



(43) International Publication Date
31 August 2006 (31.08.2006)

PCT

(10) International Publication Number
WO 2006/090870 A3

- (51) International Patent Classification:
G03F 7/20 (2006.01) G03F 9/00 (2006.01)
- (21) International Application Number:
PCT/JP2006/303533
- (22) International Filing Date:
21 February 2006 (21.02.2006)
- (25) Filing Language: English
- (26) Publication Language: English
- (30) Priority Data:
2005-051610 25 February 2005 (25.02.2005) JP
- (71) Applicant (for all designated States except US): FUJIFILM Corporation [JP/JP]; 26-30, Nishiazabu 2-chome, Minato-ku, Tokyo 1068620 (JP).

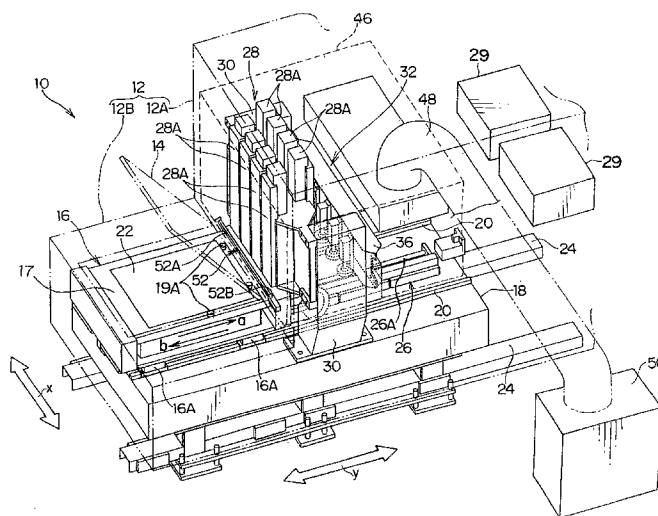
- (81) Designated States (unless otherwise indicated, for every kind of national protection available): AE, AG, AL, AM, AT, AU, AZ, BA, BB, BG, BR, BW, BY, BZ, CA, CH, CN, CO, CR, CU, CZ, DE, DK, DM, DZ, EC, EE, EG, ES, FI, GB, GD, GE, GH, GM, HR, HU, ID, IL, IN, IS, KE, KG, KM, KN, KP, KR, KZ, LC, LK, LR, LS, LT, LU, LV, LY, MA, MD, MG, MK, MN, MW, MX, MZ, NA, NG, NI, NO, NZ, OM, PG, PH, PL, PT, RO, RU, SC, SD, SE, SG, SK, SL, SM, SY, TJ, TM, TN, TR, TT, TZ, UA, UG, US, UZ, VC, VN, YU, ZA, ZM, ZW.
- (84) Designated States (unless otherwise indicated, for every kind of regional protection available): ARIPO (BW, GH, GM, KE, LS, MW, MZ, NA, SD, SL, SZ, TZ, UG, ZM, ZW), Eurasian (AM, AZ, BY, KG, KZ, MD, RU, TJ, TM), European (AT, BE, BG, CH, CY, CZ, DE, DK, EE, ES, FI, FR, GB, GR, HU, IE, IS, IT, LT, LU, LV, MC, NL, PL, PT, RO, SE, SI, SK, TR), OAPI (BF, BJ, CF, CG, CI, CM, GA, GN, GQ, GW, ML, MR, NE, SN, TD, TG).

- (72) Inventor; and
- (75) Inventor/Applicant (for US only): HASHIGUCHI, Akihiro [JP/JP]; c/o FUJIFILM Corporation, 798, Miyanodai, Kaisei-machi, Ashigarakami-gun, Kanagawa 2588538 (JP).
- (74) Agents: NAKAJIMA, Jun et al.; TAIYO, NAKAJIMA & KATO, Seventh Floor, HK-Shinjuku Bldg., 3-17, Shinjuku 4-chome, Shinjuku-ku, Tokyo, 1600022 (JP).

- Published:
— with international search report
- (88) Date of publication of the international search report:
25 October 2007

For two-letter codes and other abbreviations, refer to the "Guidance Notes on Codes and Abbreviations" appearing at the beginning of each regular issue of the PCT Gazette.

(54) Title: IMAGE FORMING DEVICE AND METHOD



(57) Abstract: An image forming device and method by which images can be formed with high positioning precision is provided. The image forming device comprises a stage on which a work is mounted, and a drawing device detecting a standard mark on the work mounted on the stage and forming an image on the basis of the position of the detected standard mark as the standard, wherein stage reciprocates relatively to the drawing device, and the drawing device obtains positional data of the standard mark while the stage is moving in the outward route, and forms an image on the work based on the obtained positional data when the stage is moving in the return route, and a standard positioning member for positioning the work by touching the side that is last to be exposed among a pair of the sides of the work extending along the outward and return directions of the stage is provided on the stage.

WO 2006/090870 A3

INTERNATIONAL SEARCH REPORT

International application No
PCT/JP2006/303533

A. CLASSIFICATION OF SUBJECT MATTER
INV. G03F7/20 G03F9/00

According to International Patent Classification (IPC) or to both national classification and IPC

B. FIELDS SEARCHED

Minimum documentation searched (classification system followed by classification symbols)
G03F HO1L

Documentation searched other than minimum documentation to the extent that such documents are included in the fields searched

Electronic data base consulted during the international search (name of data base and, where practical, search terms used)

EPO-Internal

C. DOCUMENTS CONSIDERED TO BE RELEVANT

Category*	Citation of document, with indication, where appropriate, of the relevant passages	Relevant to claim No.
X	JP 2000 275863 A (ASAHI OPTICAL CO LTD) 6 October 2000 (2000-10-06)	1,5
Y	paragraphs [0001], [0023] - [0052]; figures 1,6-12	2-4
Y	US 6 552 775 B1 (YANAGIHARA MASAMITSU [JP] ET AL) 22 April 2003 (2003-04-22) columns 1,7-22; figures 1,5,16	1-5
Y	EP 1 450 398 A (APPLIED MATERIALS INC [US]) 25 August 2004 (2004-08-25) the whole document	1-5
Y	EP 1 482 373 A (ASML NETHERLANDS BV [NL]) 1 December 2004 (2004-12-01) the whole document	2-4
	----- -/-	

Further documents are listed in the continuation of Box C.

See patent family annex.

* Special categories of cited documents :

- *A* document defining the general state of the art which is not considered to be of particular relevance
- *E* earlier document but published on or after the international filing date
- *L* document which may throw doubts on priority claim(s) or which is cited to establish the publication date of another citation or other special reason (as specified)
- *O* document referring to an oral disclosure, use, exhibition or other means
- *P* document published prior to the international filing date but later than the priority date claimed

- *T* later document published after the international filing date or priority date and not in conflict with the application but cited to understand the principle or theory underlying the invention
- *X* document of particular relevance; the claimed invention cannot be considered novel or cannot be considered to involve an inventive step when the document is taken alone
- *Y* document of particular relevance; the claimed invention cannot be considered to involve an inventive step when the document is combined with one or more other such documents, such combination being obvious to a person skilled in the art.
- *Z* document member of the same patent family

Date of the actual completion of the international search

23 May 2007

Date of mailing of the international search report

05/06/2007

Name and mailing address of the ISA/

European Patent Office, P.B. 5818 Patentlaan 2
NL - 2280 HV Rijswijk
Tel. (+31-70) 340-2040, Tx. 31 651 epo nl,
Fax: (+31-70) 340-3016

Authorized officer

Roesch, Guillaume

INTERNATIONAL SEARCH REPORT

International application No

PCT/JP2006/303533

C(Continuation). DOCUMENTS CONSIDERED TO BE RELEVANT		
Category*	Citation of document, with indication, where appropriate, of the relevant passages	Relevant to claim No.
E	JP 2006 232477 A (FUJI PHOTO FILM CO LTD) 7 September 2006 (2006-09-07) the whole document -----	1-5

INTERNATIONAL SEARCH REPORT

Information on patent family members

International application No

PCT/JP2006/303533

Patent document cited in search report	Publication date	Publication date	Patent family member(s)	Publication date
JP 2000275863	A	06-10-2000	NONE	
US 6552775	B1	22-04-2003	JP 2001215718 A KR 20010051835 A TW 466585 B	10-08-2001 25-06-2001 01-12-2001
EP 1450398	A	25-08-2004	CN 1536640 A JP 2004253808 A KR 20040075291 A	13-10-2004 09-09-2004 27-08-2004
EP 1482373	A	01-12-2004	CN 1573576 A JP 2004363590 A KR 20040103423 A KR 20060100322 A US 2005007572 A1	02-02-2005 24-12-2004 08-12-2004 20-09-2006 13-01-2005
JP 2006232477	A	07-09-2006	NONE	