



US0D1065616S

(12) **United States Design Patent**
Kong et al.

(10) **Patent No.:** **US D1,065,616 S**
(45) **Date of Patent:** **** Mar. 4, 2025**

(54) **REAR COMBINATION LAMP FOR AUTOMOBILES**

(71) Applicants: **Hyundai Motor Company**, Seoul (KR); **Kia Corporation**, Seoul (KR)

(72) Inventors: **Byung-Ho Kong**, Seoul (KR); **Seung-Tae Kim**, Seoul (KR)

(73) Assignees: **Hyundai Motor Company**, Seoul (KR); **Kia Corporation**, Seoul (KR)

| | | | |
|--------------|--------|------------|----------------------|
| D842,505 S * | 3/2019 | Kim | D26/28 |
| D842,509 S * | 3/2019 | Yoon | D26/28 |
| D842,511 S * | 3/2019 | Kang | D26/28 |
| D843,033 S * | 3/2019 | Kim | D26/28 |
| D872,914 S * | 1/2020 | Kim | D26/28 |
| D872,915 S * | 1/2020 | Han | D26/28 |
| D873,457 S * | 1/2020 | Han | D26/28 |
| D874,042 S * | 1/2020 | Lee | D26/28 |
| D914,931 S * | 3/2021 | Kim | D26/28 |
| D922,633 S * | 6/2021 | Jin | D26/28 |
| D923,217 S * | 6/2021 | Lee | F21S 43/00 D26/28 |

(Continued)

(**) Term: **15 Years**

FOREIGN PATENT DOCUMENTS

(21) Appl. No.: **29/818,767**

KR 3020210029519 * 6/2021

(22) Filed: **Dec. 10, 2021**

Primary Examiner — Sheryl Lane

(30) **Foreign Application Priority Data**

Assistant Examiner — Kathryn Elizabeth Chambers

Jun. 21, 2021 (KR) 30-2021-0029519

(74) *Attorney, Agent, or Firm* — Fox Rothschild LLP

(51) **LOC (15) Cl.** **26-06**

(57) **CLAIM**

(52) **U.S. Cl.**

The ornamental design for the rear combination lamp for automobiles as shown and described.

USPC **D26/28**

(58) **Field of Classification Search**

DESCRIPTION

USPC D26/2, 122, 123, 24, 25, 26, 113, 120,
D26/39, 29, 30, 32, 35, 34, 33, 36, 37,
D26/38, 28; D12/181, 182, 196, 400,
D12/107

FIG. 1 is a perspective view of the rear combination lamp for automobiles according to the present invention.

CPC F21S 48/10; F21S 48/225; F21S 48/1266;
F21S 48/1388; F21S 43/237; F21S 43/15;
F21S 43/00; F21S 41/33; F21S 41/36;
F21S 41/50; F21V 21/04

FIG. 2 is a front view of the rear combination lamp for automobiles of FIG. 1.

See application file for complete search history.

FIG. 3 is a rear view of the rear combination lamp for automobiles of FIG. 1.

(56) **References Cited**

U.S. PATENT DOCUMENTS

| | | | |
|--------------|---------|---------------|--------|
| D830,594 S * | 10/2018 | Komuro | D26/28 |
| D832,478 S * | 10/2018 | Ha | D26/28 |
| D834,230 S * | 11/2018 | Lee | D26/28 |
| D838,391 S * | 1/2019 | McMahan | D26/28 |

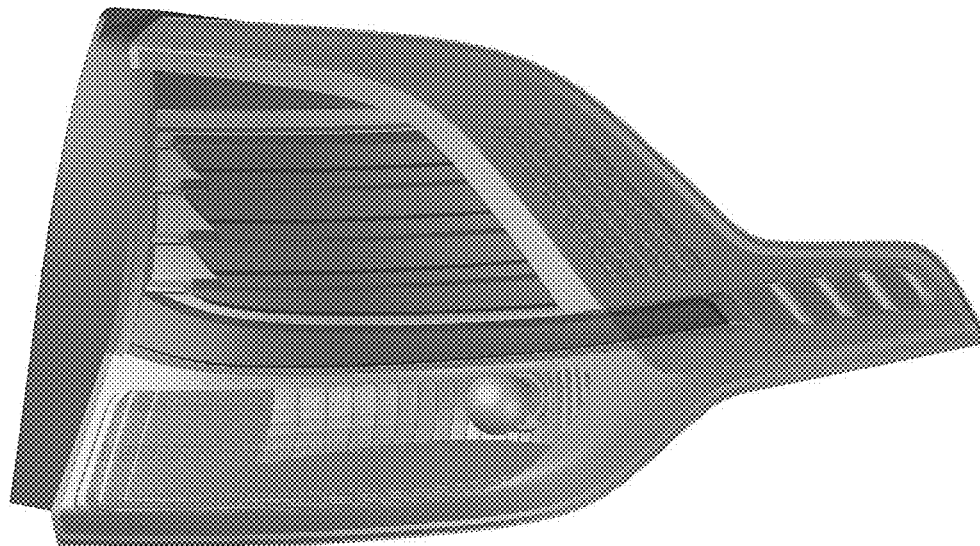
FIG. 4 is a left side view of the rear combination lamp for automobiles of FIG. 1.

FIG. 5 is a right side view of the rear combination lamp for automobiles of FIG. 1.

FIG. 6 is a top view of the rear combination lamp for automobiles of FIG. 1; and,

FIG. 7 is a bottom view of the rear combination lamp for automobiles of FIG. 1.

1 Claim, 7 Drawing Sheets



(56)

References Cited

U.S. PATENT DOCUMENTS

| | | | | | | |
|----------|---|---|--------|-----------|-------|----------------------|
| D923,218 | S | * | 6/2021 | Lee | | D26/28 |
| D947,426 | S | * | 3/2022 | Hur | | D26/28 |
| D947,427 | S | * | 3/2022 | Hur | | D26/28 |
| D957,015 | S | * | 7/2022 | Jeong | | D26/28 |
| D979,110 | S | * | 2/2023 | Hong | | F21S 41/00 D26/28 |
| D989,998 | S | * | 6/2023 | Depeyster | | D26/28 |

* cited by examiner

FIG. 1

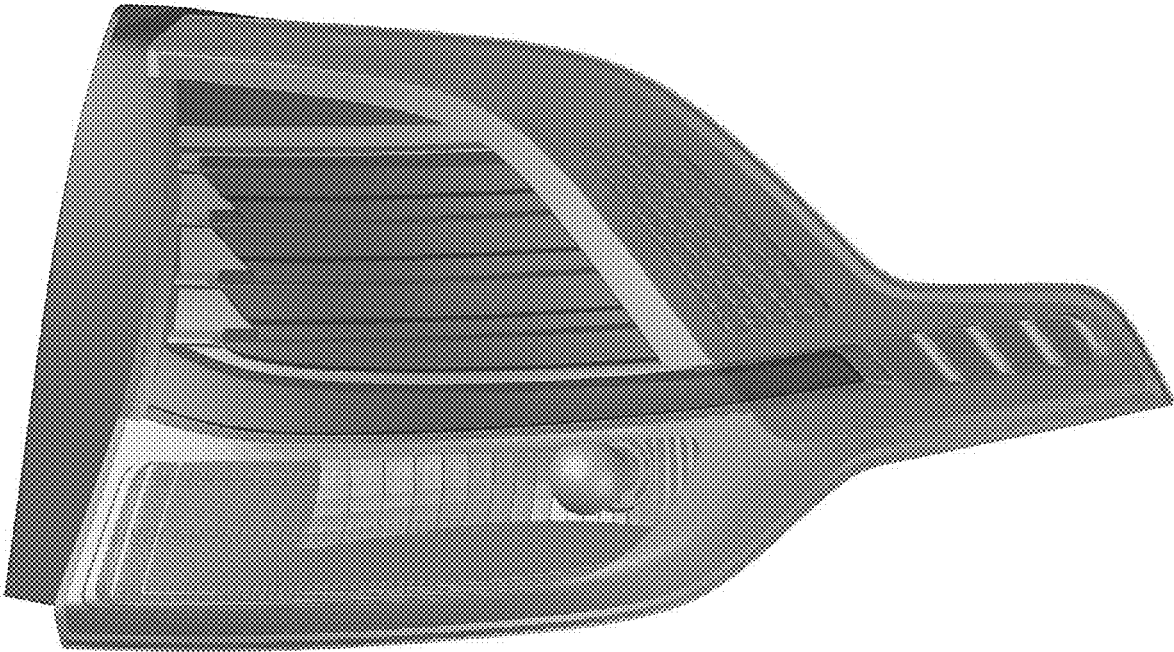


FIG. 2

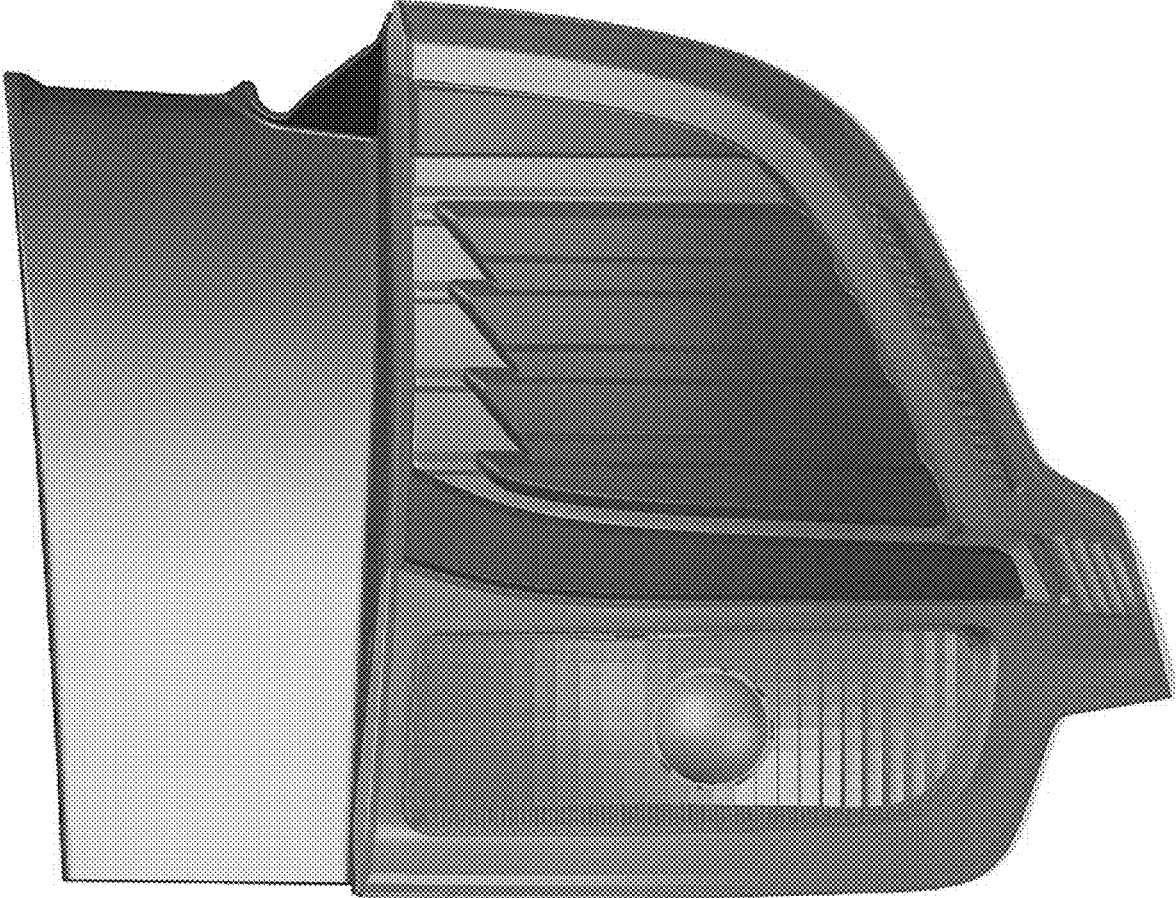


FIG. 3

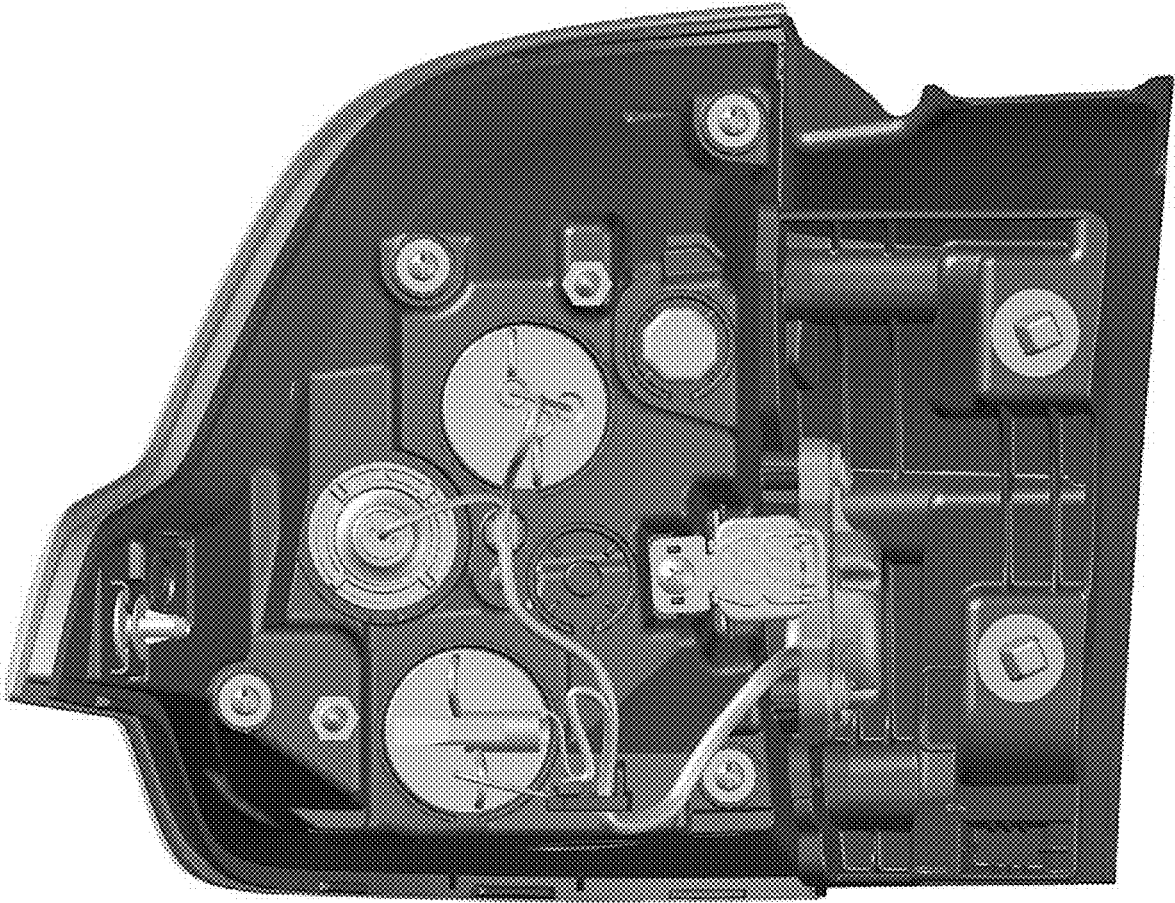


FIG. 4

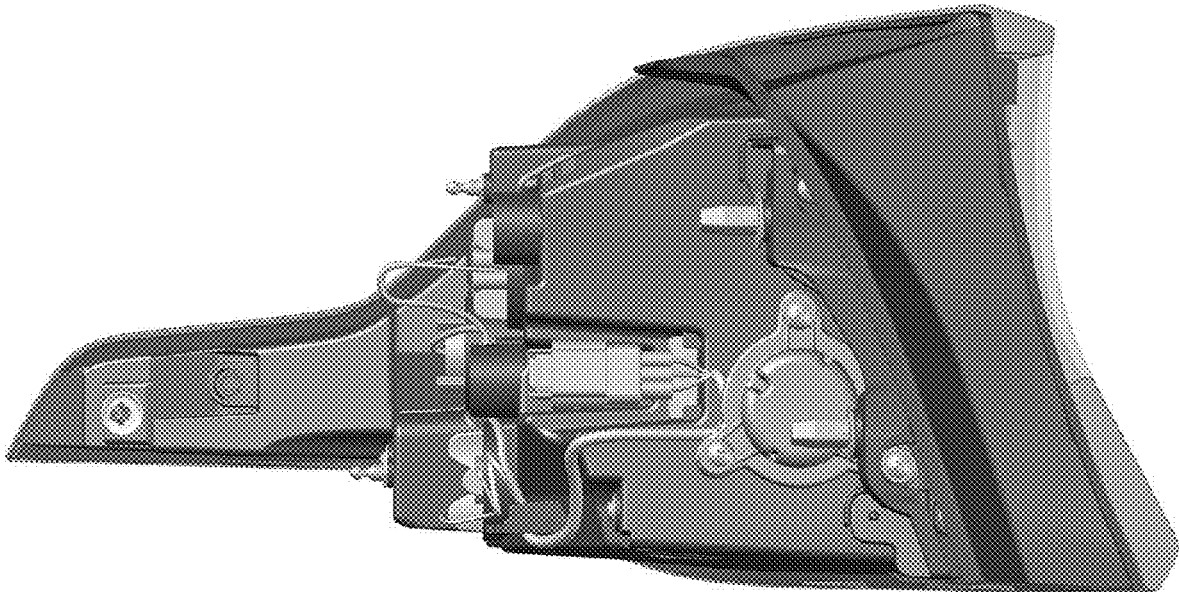


FIG. 5

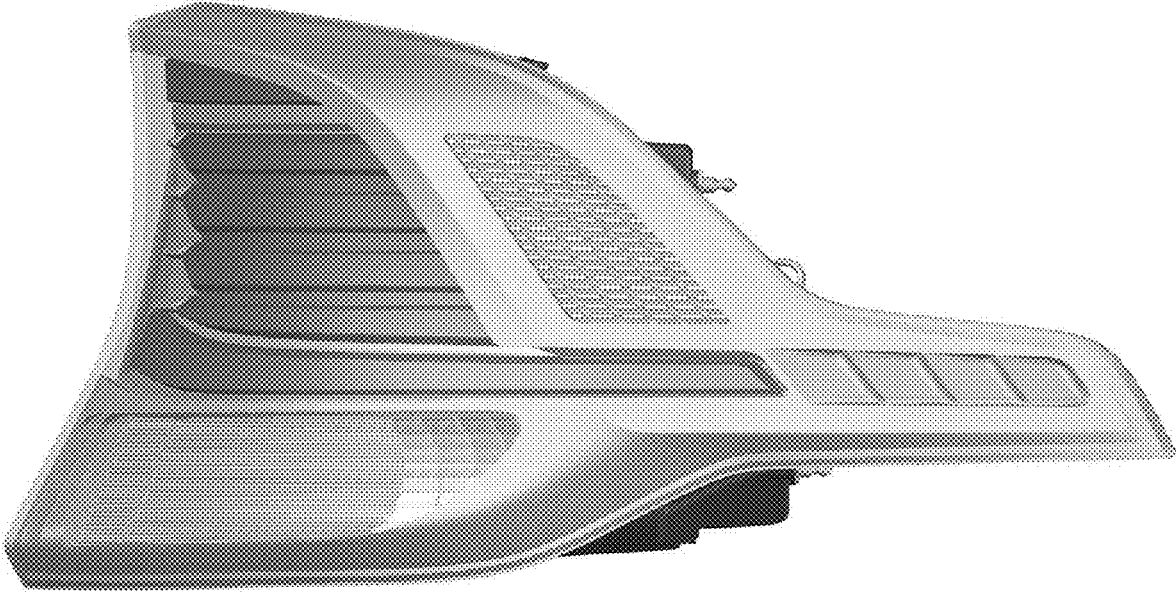


FIG. 6

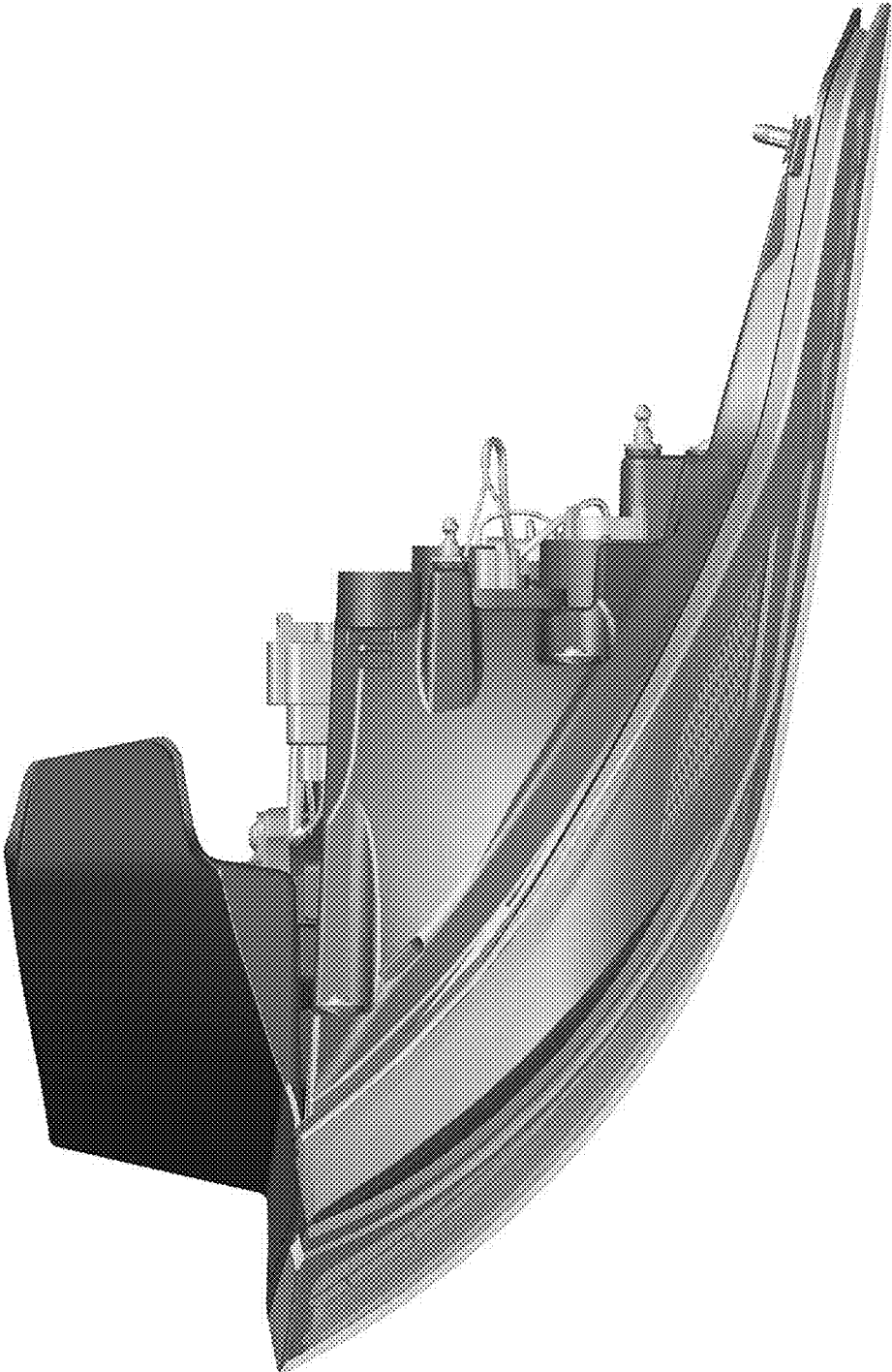


FIG. 7

