



US00D968706S

(12) **United States Design Patent** (10) **Patent No.:** **US D968,706 S**  
**Hurtado et al.** (45) **Date of Patent:** **\*\* \*Nov. 1, 2022**

- (54) **RAZOR HANDLE**
- (71) Applicant: **The Gillette Company LLC**, Boston, MA (US)
- (72) Inventors: **Armando Miguel Hurtado**, Boston, MA (US); **Christopher Andrew Emanuel**, Dedham, MA (US); **Jonathon Albert Riehle**, Brighton, MA (US); **Jahdiel Fyfield**, Roslindale, MA (US)
- (73) Assignee: **The Gillette Company LLC**, Boston, MA (US)
- (\* ) Notice: This patent is subject to a terminal disclaimer.
- (\*\*) Term: **15 Years**
- (21) Appl. No.: **29/741,901**
- (22) Filed: **Jul. 16, 2020**
- (51) **LOC (13) Cl.** ..... **28-03**
- (52) **U.S. Cl.** ..... **D28/48**
- (58) **Field of Classification Search**  
USPC ..... D28/46-48  
CPC ..... B26B 21/52-528; B26B 21/22-38; B26B 21/08; B26B 21/14  
See application file for complete search history.

- D417,807 S 12/1999 Mcbarnette
  - D431,137 S 9/2000 Mcbarnette
  - D455,643 S 4/2002 Aubin
  - D462,216 S 9/2002 Jablonski
  - D480,245 S 10/2003 Johansson et al.
  - D550,401 S \* 9/2007 Rhoad ..... D28/48
  - D560,088 S 1/2008 Tracy
  - D602,634 S \* 10/2009 Cataudella ..... D28/46
- (Continued)

**FOREIGN PATENT DOCUMENTS**

- CN 305475418 12/2019
- WO 200832 8/2019

**OTHER PUBLICATIONS**

U.S. Appl. No. 29/741,900, filed Jul. 16, 2020, Jonathon Albert Riehle et al.

(Continued)

*Primary Examiner* — Jennifer Rivard  
(74) *Attorney, Agent, or Firm* — Joanne N. Pappas; Kevin C. Johnson

(57) **CLAIM**

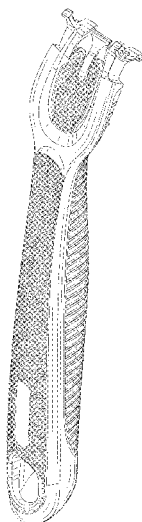
The ornamental design for a razor handle, as shown and described.

**DESCRIPTION**

FIG. 1 is a front perspective view of a design of a razor handle of the present invention;  
FIG. 2 is a front view thereof;  
FIG. 3 is a back view thereof;  
FIG. 4 is a right side view thereof;  
FIG. 5 is a left side view thereof;  
FIG. 6 is a top view thereof;  
FIG. 7 is a bottom view thereof; and,  
FIG. 8 is rear perspective view thereof.  
The broken lines illustrate portions of the razor handle and form no part of the claimed design.

**1 Claim, 5 Drawing Sheets**

- (56) **References Cited**
- U.S. PATENT DOCUMENTS
- 3,350,830 A 11/1967 Smith, Jr. et al.
  - D243,426 S 2/1977 Joslyn
  - D296,520 S 7/1988 Spinetta
  - D300,406 S 3/1989 Bordian
  - D312,385 S 11/1990 Hamann
  - D327,213 S 6/1992 Murphy
  - D334,500 S 4/1993 Lalonde
  - D354,988 S 1/1995 Garza
  - D356,002 S 3/1995 Morgan



(56)

References Cited

U.S. PATENT DOCUMENTS

D613,456 S \* 4/2010 Cataudella ..... D28/46  
 D625,130 S 10/2010 Szczepanowski et al.  
 D632,516 S 2/2011 Schulz et al.  
 D640,079 S 6/2011 Kinard et al.  
 8,186,062 B2 \* 5/2012 Fischer ..... B26B 21/4018  
 30/34.2  
 8,448,339 B2 \* 5/2013 Walker, Jr. .... B26B 21/4031  
 30/47  
 D711,213 S 8/2014 Schorn  
 D736,071 S 8/2015 Wu  
 D781,683 S 5/2017 Yi  
 D843,058 S \* 3/2019 Fyfield ..... D28/46  
 D843,060 S \* 3/2019 Fyfield ..... D28/48  
 D843,659 S \* 3/2019 Go ..... D28/48  
 D844,473 S 4/2019 Maulder  
 D873,580 S 1/2020 McGarry  
 D874,180 S 2/2020 McGarry  
 D874,725 S \* 2/2020 Riehle ..... D28/46  
 D882,175 S \* 4/2020 Riehle ..... D28/48  
 D889,162 S 7/2020 Elliott  
 D893,287 S 8/2020 Wendling

D939,773 S \* 12/2021 Kim ..... D28/48  
 D945,068 S \* 3/2022 Lee ..... D28/48  
 2011/0203124 A1 \* 8/2011 Bridges ..... B26B 21/4037  
 30/539  
 2019/0299465 A1 \* 10/2019 Gester ..... B26B 21/48  
 2020/0070374 A1 \* 3/2020 Long ..... B26B 21/521  
 2020/0070375 A1 \* 3/2020 Hurtado ..... B25G 3/38  
 2022/0001559 A1 \* 1/2022 Hiller ..... B26B 21/4056

OTHER PUBLICATIONS

U.S. Appl. No. 29/741,906, filed Jul. 16, 2020, Armando Miguel  
 Hurtado et al.  
 U.S. Appl. No. 29/717,365, filed Dec. 17, 2019, Christopher Ramm  
 et al.  
 All Office Actions, U.S. Appl. No. 29/717,365.  
 All Office Actions, U.S. Appl. No. 29/741,906.  
 All Office Actions, U.S. Appl. No. 29/741,900.  
 Notice of Allowance; U.S. Appl. No. 29/717,365 dated Jul. 8, 2022.  
 Notice of Allowance; U.S. Appl. No. 29/741,906 dated Mar. 30,  
 2022.

\* cited by examiner

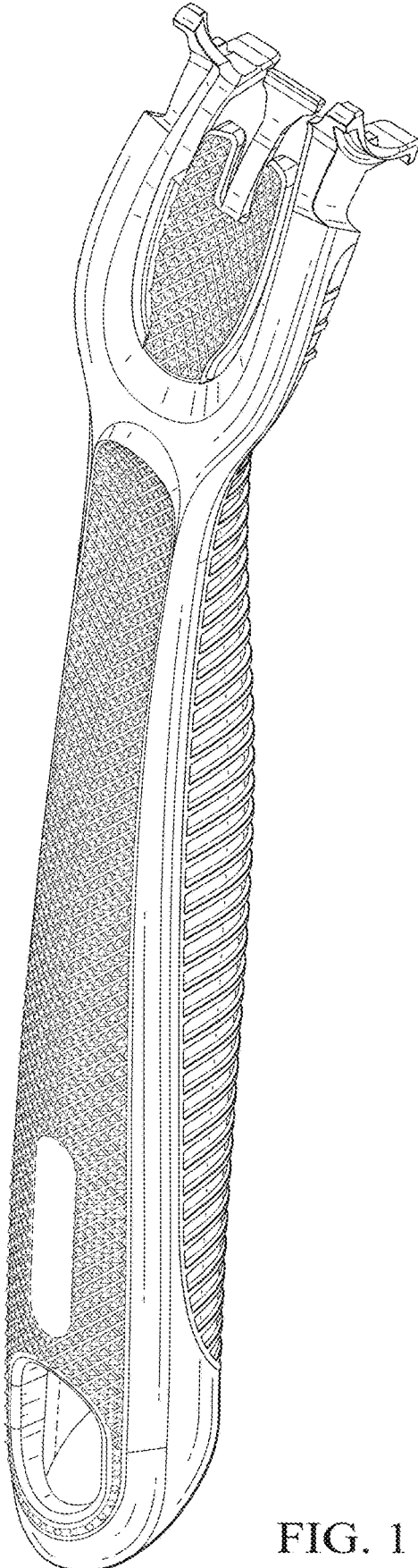


FIG. 1

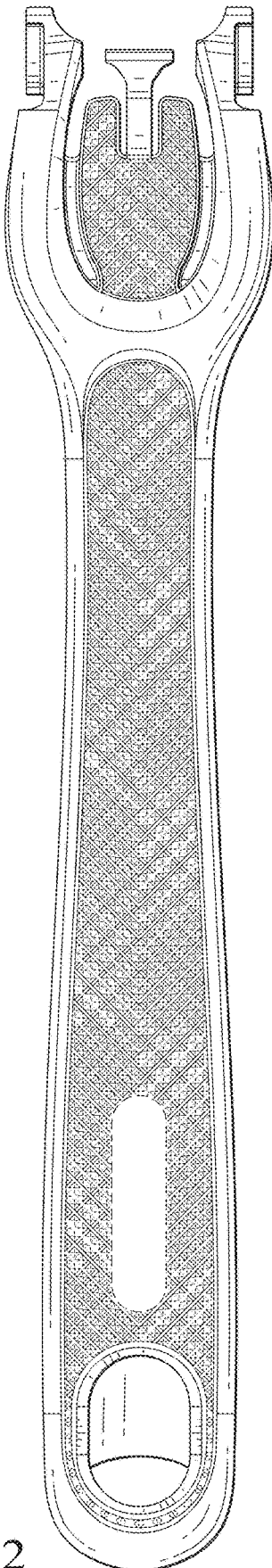


FIG. 2

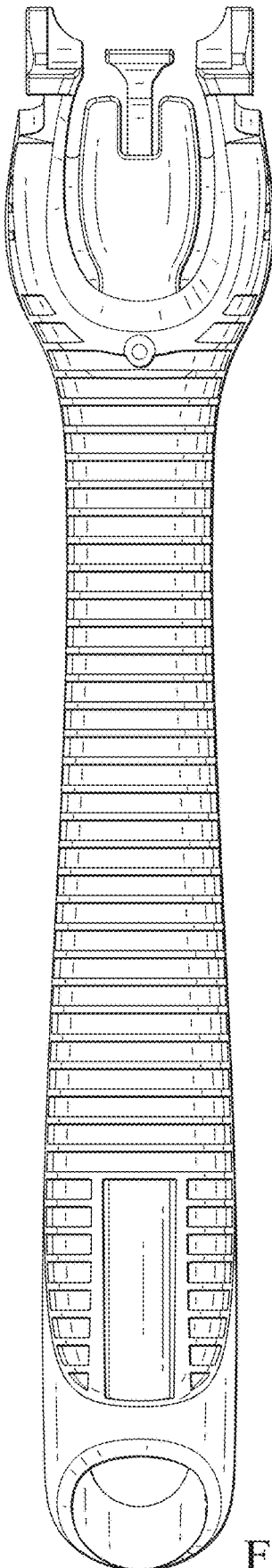


FIG. 3

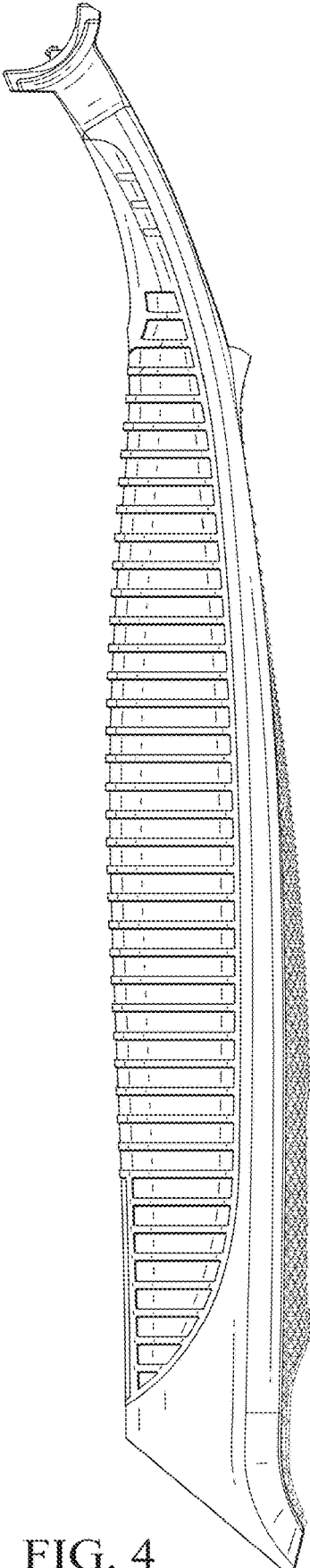


FIG. 4

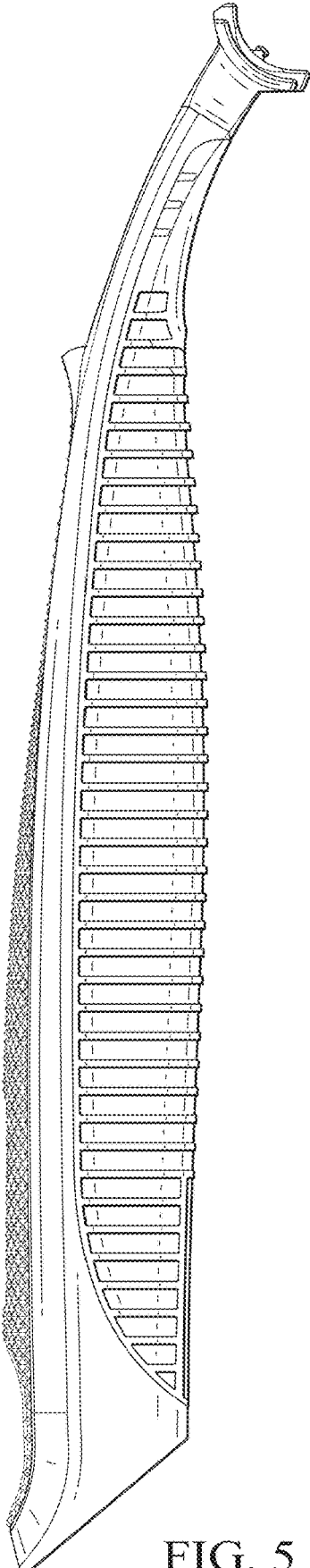


FIG. 5

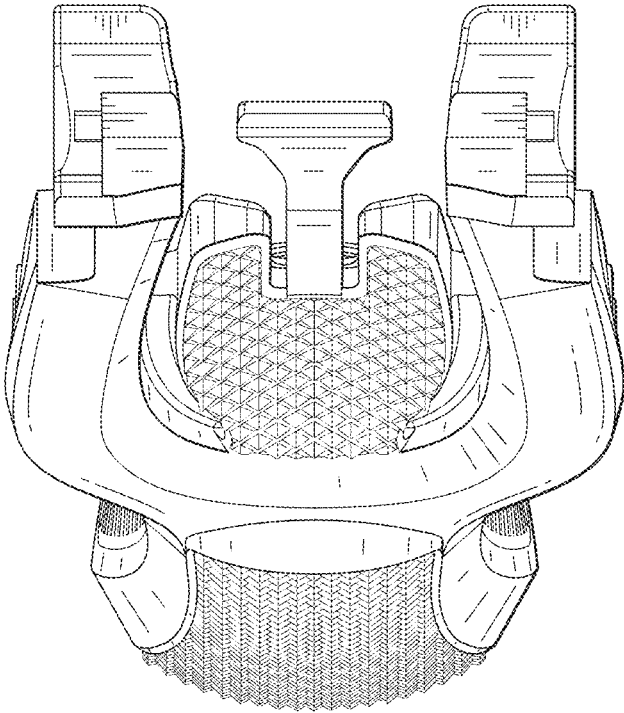


FIG. 6

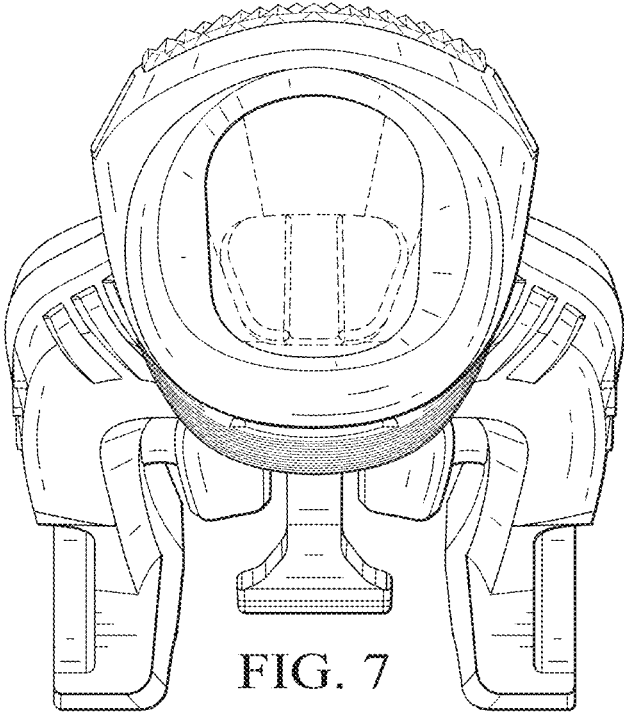


FIG. 7

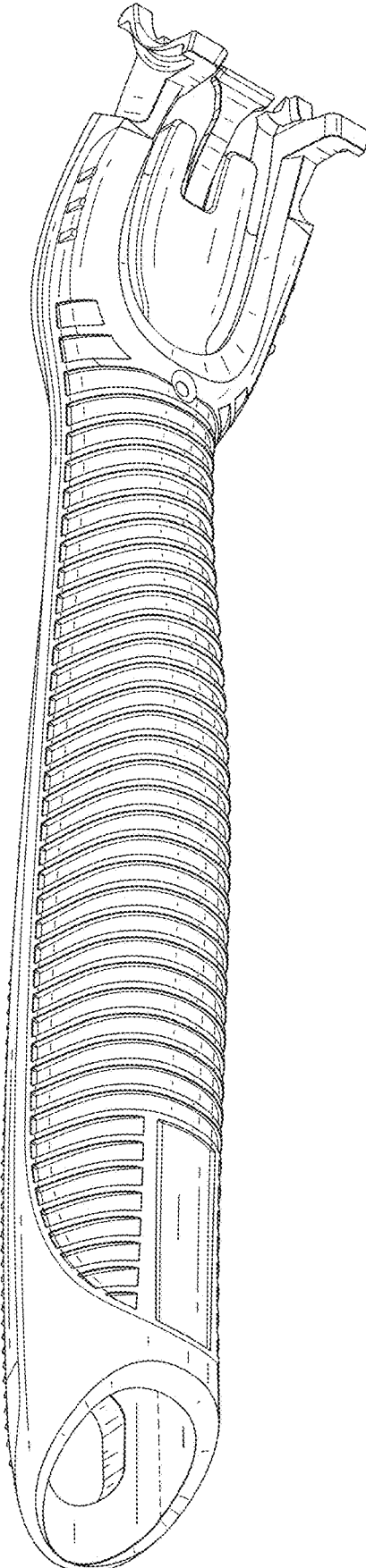


FIG. 8