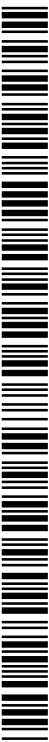




- (51) International Patent Classification:
H04B 10/40 (2013.01)
- (21) International Application Number:
PCT/US2016/041748
- (22) International Filing Date:
11 July 2016 (11.07.2016)
- (25) Filing Language: English
- (26) Publication Language: English
- (30) Priority Data:
14/794,889 9 July 2015 (09.07.2015) US
- (71) Applicant: **CORIAN T ADVANCED TECHNOLOGY, LLC** [US/US]; 171 Madison Avenue, Suite 1100, New York, New York 10016 (US).
- (72) Inventors: **SAATHOFF, Guido**; Kurfürstenstr 51, 80801 Munich (DE). **STRESHINKSKY, Matthew, A.**; 152 Columbus Ave., Apt. 5N, New York, New York 10023 (US). **PALMER, Robert**; Gotthardstr. 130, 80689 Munich (DE). **WUTH, Torsten**; Carl-Orff-Bogen 91, 80939 Munich (DE).
- (74) Agent: **RUDISILL, Stephen, G.**; NIXON PEABODY LLP, 70 W. Madison St., Suite 3500, Chicago, Illinois 60602-4224 (US).

- (81) Designated States (unless otherwise indicated, for every kind of national protection available): AE, AG, AL, AM, AO, AT, AU, AZ, BA, BB, BG, BH, BN, BR, BW, BY, BZ, CA, CH, CL, CN, CO, CR, CU, CZ, DE, DK, DM, DO, DZ, EC, EE, EG, ES, FI, GB, GD, GE, GH, GM, GT, HN, HR, HU, ID, IL, IN, IR, IS, JP, KE, KG, KN, KP, KR, KZ, LA, LC, LK, LR, LS, LU, LY, MA, MD, ME, MG, MK, MN, MW, MX, MY, MZ, NA, NG, NI, NO, NZ, OM, PA, PE, PG, PH, PL, PT, QA, RO, RS, RU, RW, SA, SC, SD, SE, SG, SK, SL, SM, ST, SV, SY, TH, TJ, TM, TN, TR, TT, TZ, UA, UG, US, UZ, VC, VN, ZA, ZM, ZW.
- (84) Designated States (unless otherwise indicated, for every kind of regional protection available): ARIPO (BW, GH, GM, KE, LR, LS, MW, MZ, NA, RW, SD, SL, ST, SZ, TZ, UG, ZM, ZW), Eurasian (AM, AZ, BY, KG, KZ, RU, TJ, TM), European (AL, AT, BE, BG, CH, CY, CZ, DE, DK, EE, ES, FI, FR, GB, GR, HR, HU, IE, IS, IT, LT, LU, LV, MC, MK, MT, NL, NO, PL, PT, RO, RS, SE, SI, SK, SM, TR), OAPI (BF, BJ, CF, CG, CI, CM, GA, GN, GQ, GW, KM, ML, MR, NE, SN, TD, TG).

Published:
— with international search report (Art. 21(3))



WO 2017/008073 A1

(54) Title: TRANSMITTER OPTICAL SIGNAL TO NOISE RATIO IMPROVEMENT THROUGH RECEIVER AMPLIFICATION IN SINGLE LASER COHERENT SYSTEMS

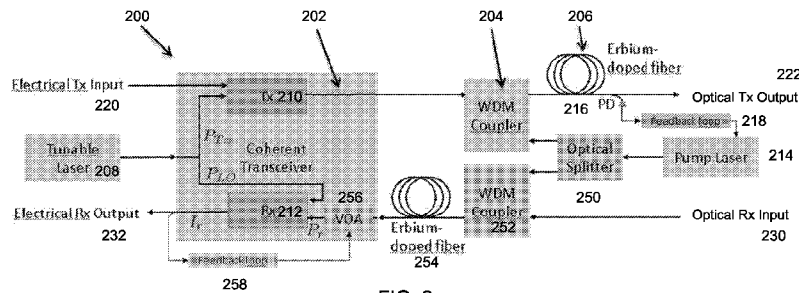


FIG. 2

(57) Abstract: A transceiver having an improved transmitter optical signal to noise ratio, and methods of making and using the same.

**TRANSMITTER OPTICAL SIGNAL TO NOISE RATIO IMPROVEMENT
THROUGH RECEIVER AMPLIFICATION IN SINGLE LASER COHERENT
SYSTEMS**

FIELD OF THE INVENTION

[0001] This application claims priority to U.S. Patent Application No. 14/794,889, filed July 9, 2015, which is hereby incorporated by reference herein in its entirety.

FIELD OF THE INVENTION

[0002] The invention relates to optical communication systems in general and particularly to a receiver for an optical communication system.

BACKGROUND OF THE INVENTION

[0003] In coherent optical communication systems, optical amplifiers are often used at the output of the transmitter (Tx). Additionally, in power- and cost-constrained systems, a single laser may be shared between the transmitter and local oscillator (LO) in the receiver (Rx). In such a system using a Tx optical amplifier, the output Tx optical signal to noise ratio (OSNR) is typically limited by amplified spontaneous emission (ASE) noise due to the optical amplifier. The OSNR can be improved by reducing the insertion loss of the transmitter or by increasing the laser power dedicated to the transmitter. Typically, both of these parameters are fixed.

[0004] FIG. 1 is a schematic block diagram 100 of a prior art coherent optical transceiver 102, in which in-line power monitor photodiodes and fiber optic splices are omitted. A WDM coupler couples the light from pump laser 114 into the Tx EDFA 106. The Tx photodiode (PD) 116 is used to control the Tx EDFA 106 gain via a feedback loop 118 to control the pump laser 114 current. The light from the tunable laser 108 is shared between Tx 110 and Rx 112 and its splitting ratio is dictated by the required LO power P_{LO} as explained below. The incoming receiver signal power P_r and the target photo current $I_r \propto \sqrt{P_{LO}P_r}$ determine the LO power P_{LO} and, therefore, the Tx power P_{Tx} . As shown in FIG. 1, an electrical TX input 120, an optical Tx output 122, an optical RX input 130 and an electrical Rx output 132 are present.

[0005] The proportion of the system laser power dedicated to the Tx, P_{Tx} , is dictated by what is needed for the LO in the receiver. The required LO power, P_{LO} , is determined by the amount of gain one needs in the receiver. In coherent intradyne detection, the input received

optical signal, P_r , is mixed with a higher powered local oscillator P_{LO} near the same frequency in order to boost the power in the mixing products at the intermediate frequencies $\omega_{IF} = \omega_r - \omega_{LO}$, where ω_r is a frequency within the signal bandwidth. Given a signal input power P_r , detector responsivity R , and target current output $I_r \propto R\sqrt{P_{LO}}\sqrt{P_r}$, the LO power is fixed.

[0006] There is a need for systems that provide an optical communication system with improved optical signal to noise ratio.

SUMMARY OF THE INVENTION

[0007] According to one aspect, the invention features a transceiver having an improved optical signal to noise ratio, comprising: a transmitter having an electrical transmitter input port and an optical transmitter output port; a receiver having an optical receiver input port and an electrical receiver output port; a first coherent optical source shared between the transmitter and the receiver and configured to provide illumination with intensity P_T to the transmitter and illumination with intensity P_{LO} to the receiver; a second coherent optical source in optical communication with the optical transmitter output port by way of an optical coupler, the optical transmitter output port comprising a first optical amplifier, the second coherent optical source having a first optical feedback loop control; and a second optical amplifier configured to receive an input optical signal from the second coherent optical source, and to provide amplified illumination to an optical intensity controller, the optical intensity controller configured to provide controlled intensity illumination to the receiver, the optical intensity controller being part of a second feedback loop.

[0008] In one embodiment, the first coherent optical source is a tunable laser.

[0009] In another embodiment, the second coherent optical source is a pump laser.

[0010] In still another embodiment, at least one of the first optical amplifier and the second optical amplifier is a fiber amplifier.

[0011] In yet another embodiment, the fiber amplifier is an EDFA.

[0012] In a further embodiment, the first optical feedback loop control comprises a photodetector and an optical feedback loop controller.

[0013] In yet a further embodiment, the optical intensity controller is a variable optical attenuator.

[0014] In an additional embodiment, the second optical amplifier configured to receive an input optical signal from the second coherent optical source is in optical connection to the second coherent optical source by way of an optical splitter.

[0015] In one more embodiment, the improved optical signal to noise ratio is an improved transmitter optical signal to noise ratio.

[0016] In still another embodiment, the transceiver having an improved optical signal to noise ratio further comprises a variable power splitter configured to receive optical power from the first coherent optical source and configured to provide illumination with intensity P_T to the transmitter and illumination with intensity P_{LO} to the receiver so that the ratio between the intensity P_T and the intensity P_{LO} can be set to a desired value.

[0017] According to another aspect, the invention features an improved transceiver having an improved optical signal to noise ratio, the transceiver having a transmitter having an electrical transmitter input port and an optical transmitter output port, a receiver having an optical receiver input port and an electrical receiver output port, a first coherent optical source shared between the transmitter and the receiver and configured to provide illumination with intensity P_T to the transmitter and illumination with intensity P_{LO} to the receiver, and a second coherent optical source in optical communication with the optical transmitter output port by way of an optical coupler, the optical transmitter output port comprising a first optical amplifier, the second coherent optical source having a first optical feedback loop control; wherein the improvement comprises: a second optical amplifier configured to receive an input optical signal from the second coherent optical source, and to provide amplified illumination to an optical intensity controller, the optical intensity controller configured to provide controlled intensity illumination to the receiver, the optical intensity controller being part of a second feedback loop.

[0018] According to yet another aspect, the invention relates to a method of making a transceiver having an improved optical signal to noise ratio. The method comprises the steps of: providing a transmitter having an electrical transmitter input port and an optical transmitter output port; providing a receiver having an optical receiver input port and an electrical receiver output port; providing a first coherent optical source shared between the transmitter and the receiver and configured to provide illumination with intensity P_T to the transmitter and illumination with intensity P_{LO} to the receiver; providing a second coherent optical source in optical communication with the optical transmitter output port by way of an optical coupler, the optical transmitter output port comprising a first optical amplifier, the second coherent optical source having a first optical feedback loop control; and providing a

second optical amplifier configured to receive an input optical signal from the second coherent optical source, and to provide amplified illumination to an optical intensity controller, the optical intensity controller configured to provide controlled intensity illumination to the receiver, the optical intensity controller being part of a second feedback loop.

[0019] According to still another aspect, the invention relates to a method of using a transceiver having an improved optical signal to noise ratio. The method comprises the steps of: providing a transmitter having an electrical transmitter input port and an optical transmitter output port; providing a receiver having an optical receiver input port and an electrical receiver output port; providing a first coherent optical source shared between the transmitter and the receiver and configured to provide illumination with intensity P_T to the transmitter and illumination with intensity P_{LO} to the receiver; providing a second coherent optical source in optical communication with the optical transmitter output port by way of an optical coupler, the optical transmitter output port comprising a first optical amplifier, the second coherent optical source having a first optical feedback loop control; providing a second optical amplifier configured to receive an input optical signal from the second coherent optical source, and to provide amplified illumination to an optical intensity controller, the optical intensity controller configured to provide controlled intensity illumination to the receiver, the optical intensity controller being part of a second feedback loop; operating the first coherent optical source and the second coherent optical source; applying at least one of an electrical input signal to the electrical transmitter input port and an optical input signal to the optical receiver input port; and performing at least one of: transmitting an optical signal responsive to the electrical input signal; and receiving an electrical signal responsive to the optical input signal.

[0020] The foregoing and other objects, aspects, features, and advantages of the invention will become more apparent from the following description and from the claims.

BRIEF DESCRIPTION OF THE DRAWINGS

[0021] The objects and features of the invention can be better understood with reference to the drawings described below, and the claims. The drawings are not necessarily to scale, emphasis instead generally being placed upon illustrating the principles of the invention. In the drawings, like numerals are used to indicate like parts throughout the various views.

[0022] FIG. 1 is a schematic block diagram of a prior art coherent optical transceiver.

[0023] FIG. 2 is a schematic diagram of one embodiment of an apparatus having a single pump laser source for two Erbium-doped fiber coils according to principles of the invention.

[0024] FIG. 3 is a graph showing the OSNR gain vs LO power relative to a 50:50 split of a 16 dBm output power tunable laser.

[0025] FIG. 4 is a schematic diagram of one embodiment of an apparatus having a single pump laser source for two Erbium-doped fiber coils and a tunable laser with a variable power splitter according to principles of the invention.

DETAILED DESCRIPTION

ACRONYMS

[0026] A list of acronyms and their usual meanings in the present document (unless otherwise explicitly stated to denote a different thing) are presented below.

ASE Amplified Spontaneous Emission
CMOS Complementary Metal-Oxide-Semiconductor
DBR Distributed Bragg Reflector
DSP Digital Signal Processor
ECL External Cavity Laser
EDFA Erbium Doped Fiber Amplifier
E/O Electro-optical
FDTD Finite Difference Time Domain
FFE Feed-Forward Equalization
FOM Figure of Merit
FSR Free Spectral Range
FWHM Full Width at Half Maximum
LIV Light intensity(L)-Current(I)-Voltage(V)
OSNR Optical Signal to Noise Ratio
PIC Photonic Integrated Circuits
PRBS Pseudo Random Bit Sequence
PDFA Praseodymium-Doped-Fiber-Amplifier
RSOA Reflective Semiconductor Optical Amplifier
Rx Receiver
SMSR Single-Mode Suppression Ratio
Tx Transmitter
VOA Variable Optical Attenuator

WDM Wavelength Division Multiplexing

[0027] This invention involves sharing the pump laser power used to operate the Tx fiber amplifier with an additional Rx fiber amplifier in order to improve the output Tx power and, as a result, the Tx OSNR of a coherent optical transceiver using a single pump laser source. Since the output signal power and the required gain of the Rx optical amplifier is much lower than those of the Tx optical amplifier, only a small fraction of the pump laser power is required for the Rx optical amplifier.

EXAMPLE IMPLEMENTATION

[0028] FIG. 2 is a schematic diagram of one embodiment of an apparatus having a single pump laser source for two amplification fiber coils (in the embodiment illustrated, the amplification fiber coils are Erbium-doped fiber amplifier coils) according to principles of the invention. The method of using a single pump laser source for two amplification fiber coils is also described. The required gain and output power in the Rx optical amplifier is much lower than in the Tx optical amplifier. Therefore, the optical splitter need only tap off a small fraction of the pump laser power for the Rx optical amplifier. In other embodiments, amplifiers other than EDFA amplifiers may be used.

[0029] As illustrated in FIG. 2 is a schematic block diagram 200 of a coherent optical transceiver 202, in which in-line power monitor photodiodes and fiber optic splices are omitted. The pump laser 214 provides illumination to an optical splitter 250 which can split the illumination in desired proportions. One portion of the illumination from the pump laser 214 is provided to the WDM coupler 204 that couples into the optical Tx output. The Tx photodiode (PD) 216 is used to control the Tx EDFA 206 gain via a feedback loop 218 that samples the output of Tx EDFA 206 and controls the current driving the pump laser 214. Another portion of the illumination from the pump laser 214 is provided by signal splitter 250 to the WDM coupler 252 that feeds an Erbium-doped fiber 256 which provides amplification of illumination entering on the Optical Rx input 230. The amplified light exits the Erbium-doped fiber 256 and is fed into a VOA 256 that in turn feeds into the Rx 212. The VOA 256 is controlled by a feedback loop 258 that samples the output of Rx 212, and provides a control signal to the VOA 256.

[0030] The light from the tunable laser 208 is shared between Tx 210 and Rx 212 and its splitting ratio is dictated by the required LO power P_{LO} . As shown in FIG. 2, an electrical TX input 220, an optical Tx output 222, an optical RX input 230 and an electrical Rx output 232 are present.

[0031] An increase of the signal power, P_r , at the receiver through an additional optical pre-amplifier with gain G_r in front of the receiver allows one to lower the required LO power P_{LO} by the same factor G_r . In amplifier-noise limited transmission, for example in metro and long haul links using optical amplifier chains, the decrease in signal-to-noise ratio (SNR) at the receiver associated with the additional optical pre-amplifier noise is marginal as can be seen by the Friis formula:

$$F_{total} = F_1 + \frac{F_2 - 1}{G_1} + \frac{F_3 - 1}{G_1 G_2} + \frac{F_4 - 1}{G_1 G_2 G_3} + \dots + \frac{F_n - 1}{G_1 G_2 \dots G_{n-1}}$$

[0032] Here, F_{total} is the noise figure of the complete amplifier chain with amplifiers exhibiting individual gains G_i and noise figures F_i . The contribution of the last amplifier, in our case the additional optical pre-amplifier for the receiver, is strongly suppressed.

[0033] However despite of the benefit of an optical pre-amplifier, it is often not desirable to duplicate the pump laser due to cost and space concerns. Additionally, the electrical power required by an additional pump laser would be disadvantageous in small form factor devices, such as the CFP2 form factor.

[0034] While the Tx EDFA gain is controlled via the EDFA pump power, the gain control of the Rx EDFA fed by the same pump would require an additional variable optical attenuator (VOA) for the Rx EDFA pump light.

[0035] In the present invention, one uses a free running (not gain-controlled) Rx EDFA and one controls the Rx EDFA output power with a VOA. The Rx input VOA can more easily be implemented in the receiver input signal path.

[0036] For purposes of elucidation of features of the invention, one can stipulate that the coherent transceiver block outputs an average modulated Tx output power of -17 dBm. In conventional optical communication systems the typical system output power requirements are at least +1 dBm. Therefore, the Tx optical amplifier needs to supply 18 dB of gain. This may be accomplished with 18 meters of erbium-doped fiber and 30 mW of pump power.

[0037] In the Rx, only 5 or 10 dB of gain is desired, which can be accomplished with 5 meters of erbium-doped fiber and less than 10 mW of pump optical power. Therefore, a 40 mW pump laser can be used and a 1:4 splitter can supply both EDFA coils.

[0038] The 16 dBm laser input was previously being split 50:50 between Tx and Rx LO. With an Rx amplifier, 9 dBm could be used for the LO instead of 13 dBm. This would allow the Tx to use 15 dBm, for a gain in output OSNR of 2 dB.

[0039] Those of ordinary skill in the art will understand that the numerical values provided in the embodiment describe represent one example, and are provided for the purpose of explanation. Actual numerical values and power requirements may vary in different embodiments.

[0040] FIG. 3 is a graph showing the OSNR gain vs LO power relative to a 50:50 split of a 16 dBm output power tunable laser. Reducing P_{LO} from 13 dBm to 9 dBm allows one to increase P_{Tx} from 13 dBm to 15 dBm, thus boosting Tx OSNR by 2 dB.

[0041] As has been explained, the Rx fiber amplifier can be used to increase the Tx power/OSNR as much as possible. This is optimal for OSNR limited systems.

[0042] FIG. 4 is a schematic diagram of one embodiment of an apparatus having a single pump laser source for two Erbium-doped fiber coils and a tunable laser with a variable power splitter according to principles of the invention. In the embodiment illustrated, the amplification fiber coils are Erbium-doped fiber amplifier coils. In other embodiments, amplifiers other than EDFA amplifiers may be used.

[0043] As illustrated in FIG. 4 is a schematic block diagram 400 of a coherent optical transceiver 402, in which in-line power monitor photodiodes and fiber optic splices are omitted. The pump laser 414 provides illumination to an optical splitter 450 which can split the illumination in desired proportions. One portion of the illumination from the pump laser 414 is provided to the WDM coupler 404 that couples into the optical Tx output. The Tx photodiode (PD) 416 is used to control the Tx EDFA 406 gain via a feedback loop 418 that samples the output of Tx EDFA 406 and controls the current driving the pump laser 414. Another portion of the illumination from the pump laser 414 is provided by signal splitter 450 to the WDM coupler 452 that feeds an Erbium-doped fiber 456 which provides amplification of illumination entering on the Optical Rx input 430. The amplified light exits the Erbium-doped fiber 456 and is fed into a VOA 456 that in turn feeds into the Rx 412. The VOA 456 is controlled by a feedback loop 458 that samples the output of Rx 412, and provides a control signal to the VOA 456.

[0044] The light from the tunable laser 408 is shared between Tx 410 and Rx 412 and its splitting ratio is controlled by a variable power splitter 460 so that the ratio between the Tx power P_{Tx} (or the intensity P_T) and the LO power P_{LO} (or the intensity P_{LO}) can be varied and can be set to a desired value. As shown in FIG. 4, an electrical TX input 420, an optical Tx output 422, an optical RX input 430 and an electrical Rx output 432 are present.

[0045] In combination with the single laser transceiver and a Rx fiber amplifier, a tunable laser with a variable power splitter in the transceiver allows for variable split ratios between the Tx power and the LO power. This variability enables a flexible trade-off between Tx OSNR and Rx sensitivity and dynamic range. In combination with a variable power splitter on the transceiver, as shown in FIG. 4, the shared pump Rx fiber amplifier provides a flexible transceiver capable of trading off Rx dynamic range vs Tx OSNR and, thus, extending the range of applications.

[0046] It is believed that for future metro and short reach networks which may be Rx input power limited, the shared pump Rx fiber amplifier could also be used to increase receiver dynamic range at the expense of Tx OSNR. By dedicating more laser power to the LO of the Rx together with the amplification of the Rx input signal, the Rx sensitivity/dynamic range could be significantly increased. For a 50/50 split (13dBm LO power for a 16dBm input power laser), the full gain (5 to 10 dB) of the Rx fiber amplifier would be usable to increase the Rx sensitivity.

DESIGN AND FABRICATION

[0047] Methods of designing and fabricating devices having elements similar to those described herein are described in one or more of US. Patent Nos. 7,200,308, 7,339,724, 7,424,192, 7,480,434, 7,643,714, 7,760,970, 7,894,696, 8,031,985, 8,067,724, 8,098,965, 8,203,115, 8,237,102, 8,258,476, 8,270,778, 8,280,211, 8,311,374, 8,340,486, 8,380,016, 8,390,922, 8,798,406, and 8,818,141, each of which documents is hereby incorporated by reference herein in its entirety.

DEFINITIONS

[0048] As used herein, the term “optical communication channel” is intended to denote a single optical channel, such as light that can carry information using a specific carrier wavelength in a wavelength division multiplexed (WDM) system. In some embodiments, the Rx input signal can in principle carry a large number of optical communication channels. The LO is used to select which of them shall be detected at any given time.

[0049] As used herein, the term “optical carrier” is intended to denote a medium or a structure through which any number of optical signals including WDM signals can propagate, which by way of example can include gases such as air, a void such as a vacuum or extraterrestrial space, and structures such as optical fibers and optical waveguides.

THEORETICAL DISCUSSION

[0050] Although the theoretical description given herein is thought to be correct, the operation of the devices described and claimed herein does not depend upon the accuracy or validity of the theoretical description. That is, later theoretical developments that may explain the observed results on a basis different from the theory presented herein will not detract from the inventions described herein.

[0051] Any patent, patent application, patent application publication, journal article, book, published paper, or other publicly available material identified in the specification is hereby incorporated by reference herein in its entirety. Any material, or portion thereof, that is said to be incorporated by reference herein, but which conflicts with existing definitions, statements, or other disclosure material explicitly set forth herein is only incorporated to the extent that no conflict arises between that incorporated material and the present disclosure material. In the event of a conflict, the conflict is to be resolved in favor of the present disclosure as the preferred disclosure.

[0052] While the present invention has been particularly shown and described with reference to the preferred mode as illustrated in the drawing, it will be understood by one skilled in the art that various changes in detail may be affected therein without departing from the spirit and scope of the invention as defined by the claims.

CLAIMS

What is claimed is:

1. A transceiver having an improved optical signal to noise ratio, comprising:
 - a transmitter having an electrical transmitter input port and an optical transmitter output port;
 - a receiver having an optical receiver input port and an electrical receiver output port;
 - a first coherent optical source shared between said transmitter and said receiver and configured to provide illumination with intensity P_T to said transmitter and illumination with intensity P_{LO} to said receiver;
 - a second coherent optical source in optical communication with said optical transmitter output port by way of an optical coupler, said optical transmitter output port comprising a first optical amplifier, said second coherent optical source having a first optical feedback loop control; and
 - a second optical amplifier configured to receive an input optical signal from said second coherent optical source, and to provide amplified illumination to an optical intensity controller, said optical intensity controller configured to provide controlled intensity illumination to said receiver, said optical intensity controller being part of a second feedback loop.
2. The transceiver having an improved optical signal to noise ratio of claim 1, wherein said first coherent optical source is a tunable laser.
3. The transceiver having an improved optical signal to noise ratio of claim 1, wherein said second coherent optical source is a pump laser.
4. The transceiver having an improved optical signal to noise ratio of claim 1, wherein at least one of said first optical amplifier and said second optical amplifier is a fiber amplifier.
5. The transceiver having an improved optical signal to noise ratio of claim 1, wherein said fiber amplifier is an EDFA.

6. The transceiver having an improved optical signal to noise ratio of claim 1, wherein said first optical feedback loop control comprises a photodetector and an optical feedback loop controller.
7. The transceiver having an improved optical signal to noise ratio of claim 1, wherein said optical intensity controller is a variable optical attenuator.
8. The transceiver having an improved optical signal to noise ratio of claim 1, wherein said second optical amplifier configured to receive an input optical signal from said second coherent optical source is in optical connection to said second coherent optical source by way of an optical splitter.
9. The transceiver having an improved optical signal to noise ratio of claim 1, wherein said improved optical signal to noise ratio is an improved transmitter optical signal to noise ratio.
10. The transceiver having an improved optical signal to noise ratio of claim 1, further comprising a variable power splitter configured to receive optical power from said first coherent optical source and configured to provide illumination with intensity P_T to said transmitter and illumination with intensity P_{LO} to said receiver so that the ratio between the intensity P_T and the intensity P_{LO} can be set to a desired value.
11. An improved transceiver having an improved optical signal to noise ratio, said transceiver having a transmitter having an electrical transmitter input port and an optical transmitter output port, a receiver having an optical receiver input port and an electrical receiver output port, a first coherent optical source shared between said transmitter and said receiver and configured to provide illumination with intensity P_T to said transmitter and illumination with intensity P_{LO} to said receiver, and a second coherent optical source in optical communication with said optical transmitter output port by way of an optical coupler, said optical transmitter output port comprising a first optical amplifier, said second coherent optical source having a first optical feedback loop control;
wherein the improvement comprises:
a second optical amplifier configured to receive an input optical signal from said second coherent optical source, and to provide amplified illumination to an

optical intensity controller, said optical intensity controller configured to provide controlled intensity illumination to said receiver, said optical intensity controller being part of a second feedback loop.

12. A method of making a transceiver having an improved optical signal to noise ratio, comprising the steps of:

providing a transmitter having an electrical transmitter input port and an optical transmitter output port;

providing a receiver having an optical receiver input port and an electrical receiver output port;

providing a first coherent optical source shared between said transmitter and said receiver and configured to provide illumination with intensity P_T to said transmitter and illumination with intensity P_{LO} to said receiver;

providing a second coherent optical source in optical communication with said optical transmitter output port by way of an optical coupler, said optical transmitter output port comprising a first optical amplifier, said second coherent optical source having a first optical feedback loop control; and

providing a second optical amplifier configured to receive an input optical signal from said second coherent optical source, and to provide amplified illumination to an optical intensity controller, said optical intensity controller configured to provide controlled intensity illumination to said receiver, said optical intensity controller being part of a second feedback loop.

13. A method of using a transceiver having an improved optical signal to noise ratio, comprising the steps of:

providing a transmitter having an electrical transmitter input port and an optical transmitter output port;

providing a receiver having an optical receiver input port and an electrical receiver output port;

providing a first coherent optical source shared between said transmitter and said receiver and configured to provide illumination with intensity P_T to said transmitter and illumination with intensity P_{LO} to said receiver;

providing a second coherent optical source in optical communication with said optical transmitter output port by way of an optical coupler, said optical transmitter

output port comprising a first optical amplifier, said second coherent optical source having a first optical feedback loop control;

providing a second optical amplifier configured to receive an input optical signal from said second coherent optical source, and to provide amplified illumination to an optical intensity controller, said optical intensity controller configured to provide controlled intensity illumination to said receiver, said optical intensity controller being part of a second feedback loop;

operating said first coherent optical source and said second coherent optical source;

and

applying at least one of an electrical input signal to said electrical transmitter input port and an optical input signal to said optical receiver input port; and

performing at least one of:

transmitting an optical signal responsive to said electrical input signal; and

receiving an electrical signal responsive to said optical input signal.

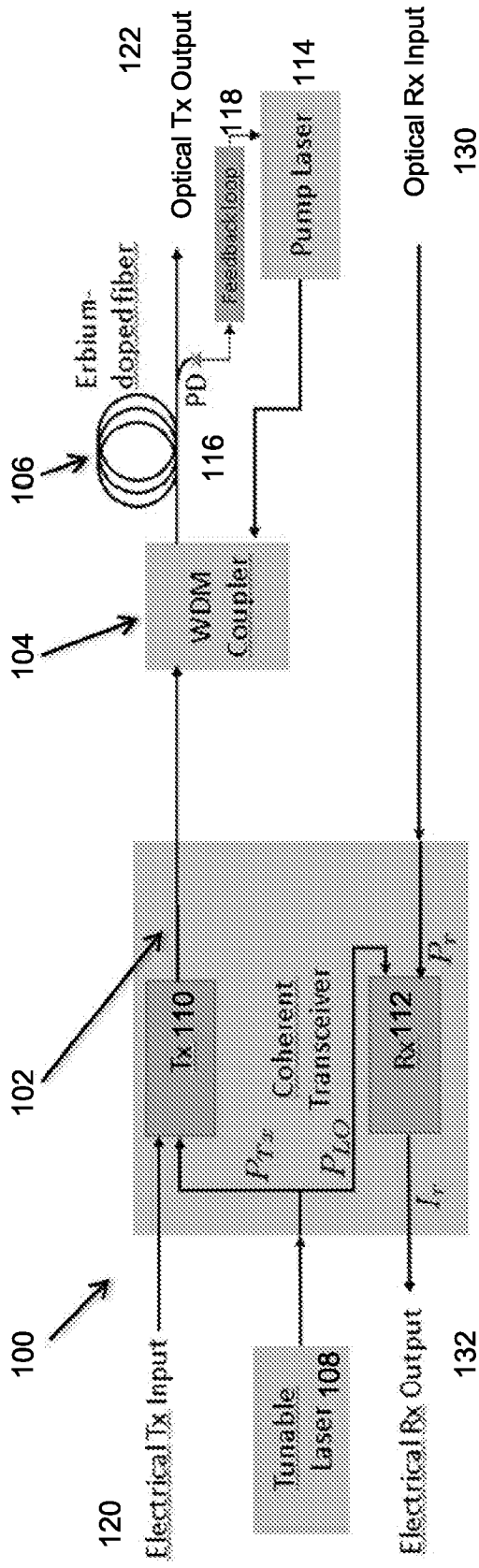


FIG. 1

PRIOR ART

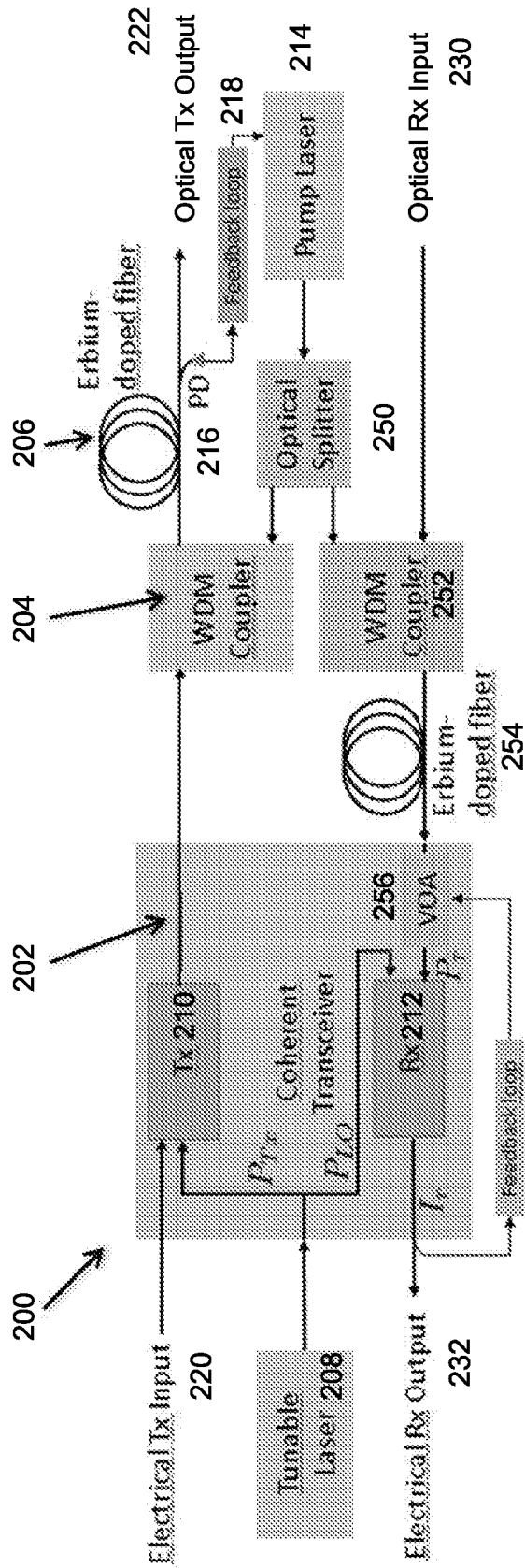


FIG. 2

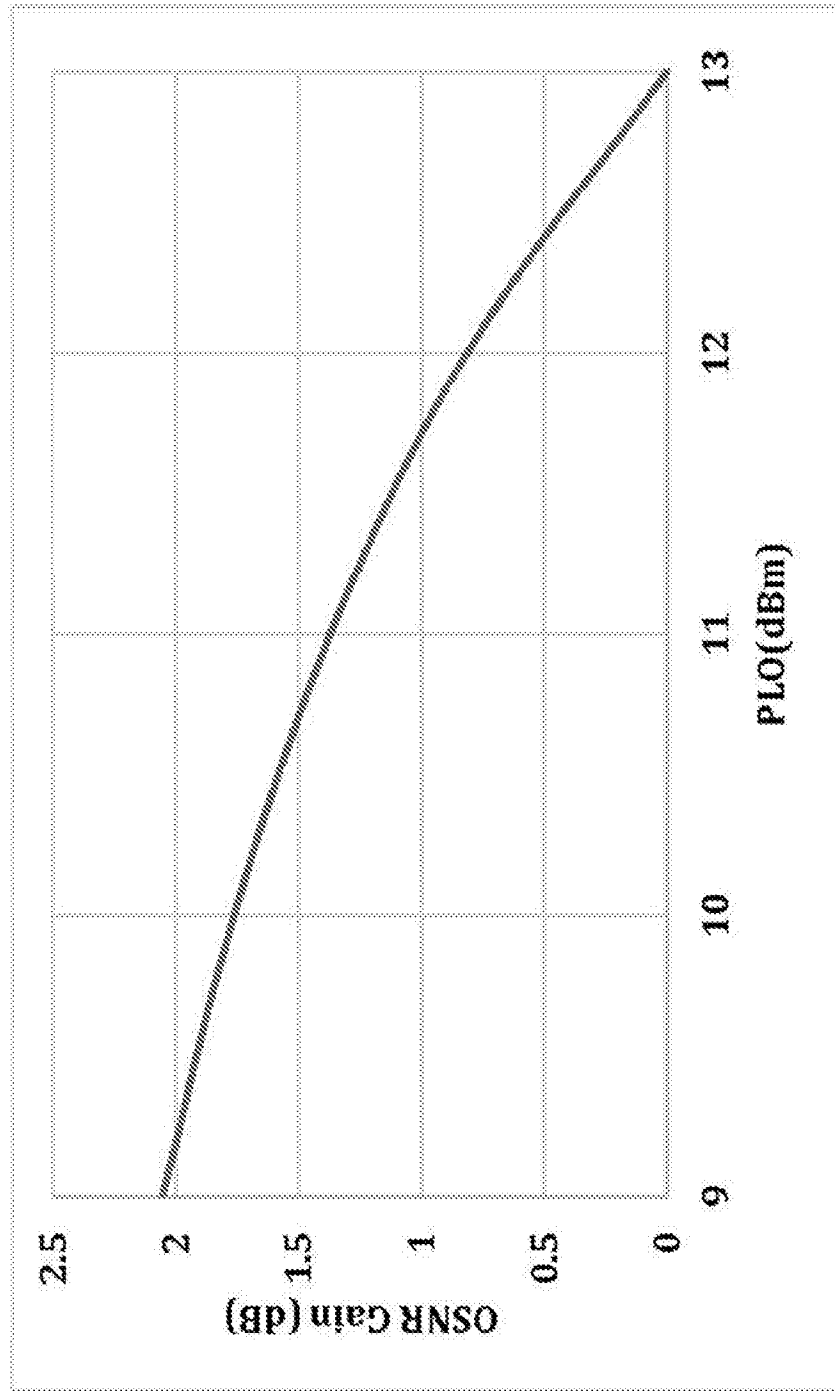


FIG. 3

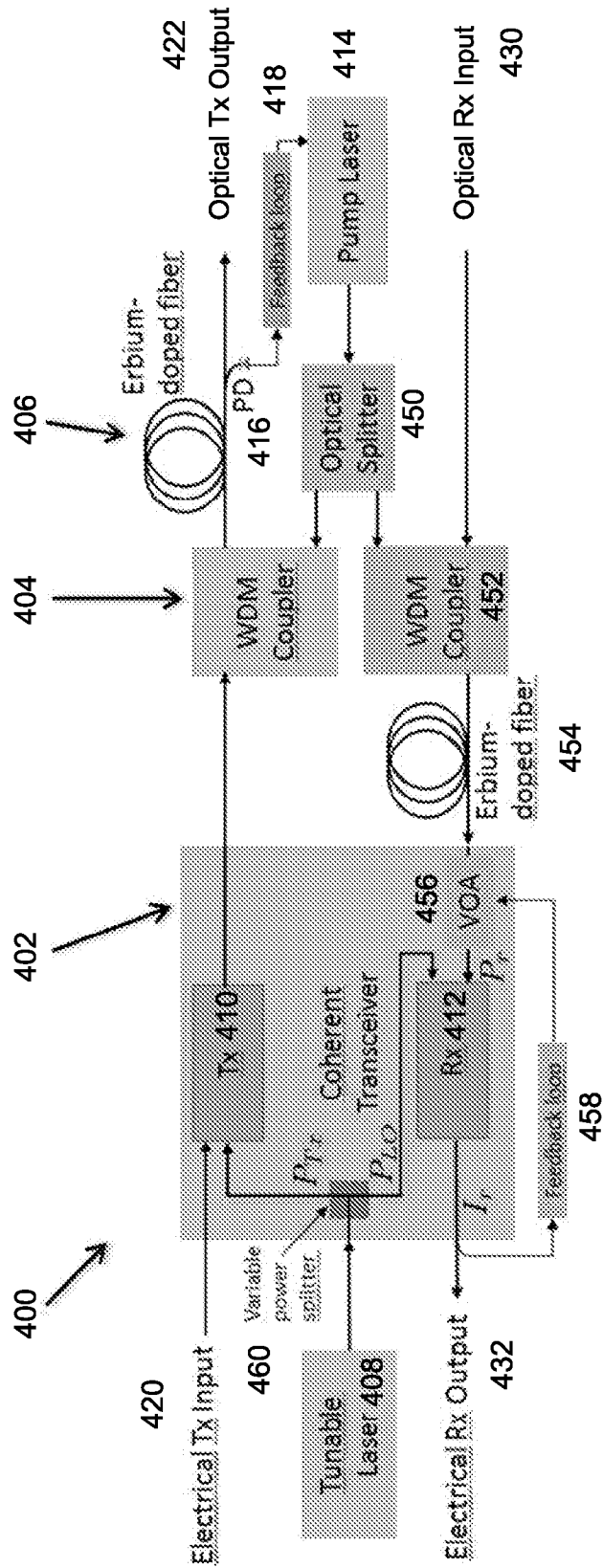


FIG. 4

INTERNATIONAL SEARCH REPORT

International application No
PCT/US2016/041748

A. CLASSIFICATION OF SUBJECT MATTER
INV. H04B10/40
ADD.

According to International Patent Classification (IPC) or to both national classification and IPC

B. FIELDS SEARCHED
Minimum documentation searched (classification system followed by classification symbols)
H04B H01S

Documentation searched other than minimum documentation to the extent that such documents are included in the fields searched

Electronic data base consulted during the international search (name of data base and, where practicable, search terms used)
EPO-Internal, WPI Data

C. DOCUMENTS CONSIDERED TO BE RELEVANT

| Category* | Citation of document, with indication, where appropriate, of the relevant passages | Relevant to claim No. |
|-----------|--|-----------------------|
| Y | US 2004/085624 A1 (LIU JIAN [US] ET AL) 6 May 2004 (2004-05-06) paragraph [0026] - paragraph [0027]; figure 2 paragraph [0038]; figure 4 paragraph [0048] | 1-13 |
| Y | EP 1 496 636 A1 (LUCENT TECHNOLOGIES INC [US]) 12 January 2005 (2005-01-12) paragraph [0007]; figures 2,3 paragraph [0017] - paragraph [0029] | 1-13 |
| A | WO 2014/141685 A1 (NEC CORP) 18 September 2014 (2014-09-18) figures 3,7 & US 2016/036530 A1 (YAMAMOTO HIROSHI [JP]) 4 February 2016 (2016-02-04) | 1-13 |

Further documents are listed in the continuation of Box C.

See patent family annex.

* Special categories of cited documents :

- "A" document defining the general state of the art which is not considered to be of particular relevance
- "E" earlier application or patent but published on or after the international filing date
- "L" document which may throw doubts on priority claim(s) or which is cited to establish the publication date of another citation or other special reason (as specified)
- "O" document referring to an oral disclosure, use, exhibition or other means
- "P" document published prior to the international filing date but later than the priority date claimed

- "T" later document published after the international filing date or priority date and not in conflict with the application but cited to understand the principle or theory underlying the invention
- "X" document of particular relevance; the claimed invention cannot be considered novel or cannot be considered to involve an inventive step when the document is taken alone
- "Y" document of particular relevance; the claimed invention cannot be considered to involve an inventive step when the document is combined with one or more other such documents, such combination being obvious to a person skilled in the art
- "&" document member of the same patent family

| | |
|--|--|
| Date of the actual completion of the international search 19 October 2016 | Date of mailing of the international search report 27/10/2016 |
|--|--|

| | |
|--|---|
| Name and mailing address of the ISA/ European Patent Office, P.B. 5818 Patentlaan 2 NL - 2280 HV Rijswijk Tel. (+31-70) 340-2040, Fax: (+31-70) 340-3016 | Authorized officer Gäde, Sebastian |
|--|---|

INTERNATIONAL SEARCH REPORT

Information on patent family members

International application No

PCT/US2016/041748

| Patent document cited in search report | Publication date | Publication date | Patent family member(s) | Publication date |
|--|------------------|------------------|-------------------------|------------------|
| US 2004085624 | A1 | 06-05-2004 | NONE | |
| ----- | | | | |
| EP 1496636 | A1 | 12-01-2005 | CN 1576922 A | 09-02-2005 |
| | | | DE 602004002811 T2 | 23-08-2007 |
| | | | EP 1496636 A1 | 12-01-2005 |
| | | | JP 4841121 B2 | 21-12-2011 |
| | | | JP 2005045789 A | 17-02-2005 |
| | | | US 2005008369 A1 | 13-01-2005 |
| ----- | | | | |
| WO 2014141685 | A1 | 18-09-2014 | CN 105052056 A | 11-11-2015 |
| | | | US 2016036530 A1 | 04-02-2016 |
| | | | WO 2014141685 A1 | 18-09-2014 |
| ----- | | | | |