

(19) World Intellectual Property Organization
International Bureau



(43) International Publication Date
31 January 2008 (31.01.2008)

PCT

(10) International Publication Number
WO 2008/013869 A3

(51) International Patent Classification:

A61B 17/06 (2006.01) A61F 2/44 (2006.01)
A61B 17/70 (2006.01) A61F 2/46 (2006.01)

(21) International Application Number:

PCT/US2007/016763

(22) International Filing Date: 25 July 2007 (25.07.2007)

(25) Filing Language: English

(26) Publication Language: English

(30) Priority Data:

60/833,402 25 July 2006 (25.07.2006) US
60/837,207 11 August 2006 (11.08.2006) US
60/843,442 7 September 2006 (07.09.2006) US
60/849,877 6 October 2006 (06.10.2006) US

(71) Applicants and

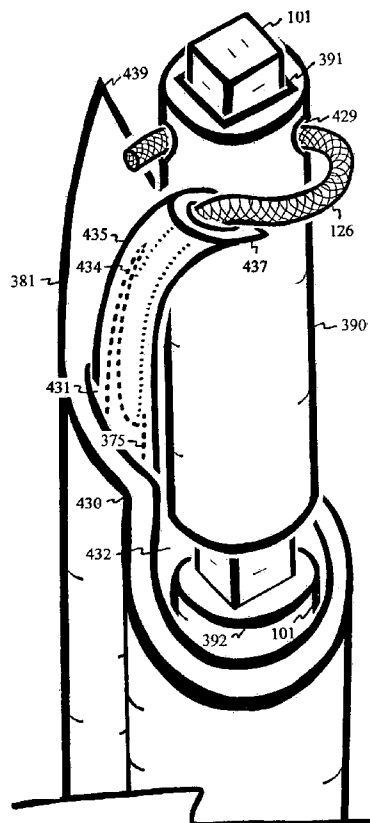
(72) Inventors: YEUNG, Feffrey, E. [US/US]; 834 North White Road, San Jose, CA 95127-1024 (US). YEUNG, Teresa, T. [US/US]; 834 North White Road, San Jose, CA 95127-1024 (US).

(81) Designated States (unless otherwise indicated, for every kind of national protection available): AE, AG, AL, AM, AT, AU, AZ, BA, BB, BG, BH, BR, BW, BY, BZ, CA, CH, CN, CO, CR, CU, CZ, DE, DK, DM, DO, DZ, EC, EE, EG, ES, FI, GB, GD, GE, GH, GM, GT, HN, HR, HU, ID, IL, IN, IS, JP, KE, KG, KM, KN, KP, KR, KZ, LA, LC, LK, LR, LS, LT, LU, LY, MA, MD, ME, MG, MK, MN, MW, MX, MY, MZ, NA, NG, NI, NO, NZ, OM, PG, PH, PL, PT, RO, RS, RU, SC, SD, SE, SG, SK, SL, SM, SV, SY, TJ, TM, TN, TR, TT, TZ, UA, UG, US, UZ, VC, VN, ZA, ZM, ZW.

(84) Designated States (unless otherwise indicated, for every kind of regional protection available): ARIPO (BW, GH, GM, KE, LS, MW, MZ, NA, SD, SL, SZ, TZ, UG, ZM, ZW), Eurasian (AM, AZ, BY, KG, KZ, MD, RU, TJ, TM), European (AT, BE, BG, CH, CY, CZ, DE, DK, EE, ES, FI, FR, GB, GR, HU, IE, IS, IT, LT, LU, LV, MC, MT, NL, PL, PT, RO, SE, SI, SK, TR), OAPI (BF, BJ, CF, CG, CI, CM, GA, GN, GQ, GW, ML, MR, NE, SN, TD, TG).

[Continued on next page]

(54) Title: SPOOLED FILAMENT TO REPAIR TISSUE



(57) Abstract: A filament-guiding device directs a filament to spool over a rotating device within tissue. The filament-guiding device has both closed and open positions. In the closed position, the filament-guiding device is resiliently straightened for delivering into tissue. Within tissue, the filament-guiding device resumes a curved configuration in the open position to orient the filament perpendicular to the rotating device for spooling. The spooled filament is deployed by withdrawing the rotating device and filament-guiding device to bulk and repair the tissue.

WO 2008/013869 A3



Published:

- *with international search report*
- *before the expiration of the time limit for amending the claims and to be republished in the event of receipt of amendments*

(88) Date of publication of the international search report:
2 May 2008

INTERNATIONAL SEARCH REPORT

International application No
PCT/US2007/016763

A. CLASSIFICATION OF SUBJECT MATTER

INV. A61B17/70 A61F2/44 A61F2/46
ADD. A61B17/06

According to International Patent Classification (IPC) or to both national classification and IPC

B. FIELDS SEARCHED

Minimum documentation searched (classification system followed by classification symbols)
A61B A61F

Documentation searched other than minimum documentation to the extent that such documents are included in the fields searched

Electronic data base consulted during the international search (name of data base and, where practical, search terms used)

EPO-Internal

C. DOCUMENTS CONSIDERED TO BE RELEVANT

Category*	Citation of document, with indication, where appropriate, of the relevant passages	Relevant to claim No.
X	GB 586 658 A (SINGER MFG CO) 26 March 1947 (1947-03-26) page 3, line 75 - line 94	1, 2, 4-6, 16-23, 29
X	GB 559 222 A (SINGER MFG CO) 9 February 1944 (1944-02-09) the whole document	1, 5, 16-23
A	WO 2004/086934 A (EXPANDIS LTD [IL]; SHEZIFI YUVAL [IL]; GRUNBERG ILAN [IL]; OHANA NISSI) 14 October 2004 (2004-10-14) figures 6a-7g	1
P, A	WO 2007/002108 A (HFSC COMPANY [US]; SYNTHESES GMBH [CH]; APPENZELLER ANDREAS [CH]; DUTOIT) 4 January 2007 (2007-01-04) figures 3A-9	1

Further documents are listed in the continuation of Box C.

See patent family annex.

* Special categories of cited documents:

- *A* document defining the general state of the art which is not considered to be of particular relevance.
- *E* earlier document but published on or after the international filing date
- *L* document which may throw doubts on priority claim(s) or which is cited to establish the publication date of another citation or other special reason (as specified)
- *O* document referring to an oral disclosure, use, exhibition or other means
- *P* document published prior to the international filing date but later than the priority date claimed

- *T* later document published after the international filing date or priority date and not in conflict with the application but cited to understand the principle or theory underlying the invention
- *X* document of particular relevance; the claimed invention cannot be considered novel or cannot be considered to involve an inventive step when the document is taken alone
- *Y* document of particular relevance; the claimed invention cannot be considered to involve an inventive step when the document is combined with one or more other such documents, such combination being obvious to a person skilled in the art.
- *G* document member of the same patent family

Date of the actual completion of the international search

25 February 2008

Date of mailing of the international search report

10/03/2008

Name and mailing address of the ISA/

European Patent Office, P.B. 5818 Patentlaan 2
NL - 2280 HV Rijswijk
Tel. (+31-70) 340-2040, Tx. 31 651 epo nl,
Fax: (+31-70) 340-3016

Authorized officer

Hamann, Joachim

INTERNATIONAL SEARCH REPORT

International application No.
PCT/US2007/016763

Box No. II Observations where certain claims were found unsearchable (Continuation of item 2 of first sheet)

This international search report has not been established in respect of certain claims under Article 17(2)(a) for the following reasons:

1. Claims Nos.: 33-36
because they relate to subject matter not required to be searched by this Authority, namely:
Rule 39.1(iv) PCT - Method for treatment of the human or animal body by surgery
2. Claims Nos.:
because they relate to parts of the international application that do not comply with the prescribed requirements to such an extent that no meaningful international search can be carried out, specifically:
3. Claims Nos.:
because they are dependent claims and are not drafted in accordance with the second and third sentences of Rule 6.4(a).

Box No. III Observations where unity of invention is lacking (Continuation of item 3 of first sheet)

This International Searching Authority found multiple inventions in this international application, as follows:

1. As all required additional search fees were timely paid by the applicant, this international search report covers allsearchable claims.
2. As all searchable claims could be searched without effort justifying an additional fees, this Authority did not invite payment of additional fees.
3. As only some of the required additional search fees were timely paid by the applicant, this international search report covers only those claims for which fees were paid, specifically claims Nos.:
4. No required additional search fees were timely paid by the applicant. Consequently, this international search report is restricted to the invention first mentioned in the claims; it is covered by claims Nos.:

Remark on Protest

- The additional search fees were accompanied by the applicant's protest and, where applicable, the payment of a protest fee.
- The additional search fees were accompanied by the applicant's protest but the applicable protest fee was not paid within the time limit specified in the invitation.
- No protest accompanied the payment of additional search fees.

INTERNATIONAL SEARCH REPORT

Information on patent family members

International application No

PCT/US2007/016763

Patent document cited in search report	Publication date	Patent family member(s)	Publication date
GB 586658	A	26-03-1947	NONE
GB 559222	A	09-02-1944	NONE
WO 2004086934	A	14-10-2004	CA 2520456 A1 14-10-2004 EP 1610698 A2 04-01-2006 US 2007149978 A1 28-06-2007
WO 2007002108	A	04-01-2007	AU 2006262301 A1 04-01-2007 US 2007055274 A1 08-03-2007