



US00D720717S

(12) **United States Design Patent**
Quilter

(10) **Patent No.:** **US D720,717 S**

(45) **Date of Patent:** **** Jan. 6, 2015**

(54) **AMPLIFIER**

(71) Applicant: **Quilter Laboratories, LLC**, Costa Mesa, CA (US)

(72) Inventor: **Patrick H. Quilter**, Costa Mesa, CA (US)

(73) Assignee: **Quilter Laboratories, LLC**, Costa Mesa, CA (US)

(**) Term: **14 Years**

(21) Appl. No.: **29/465,828**

(22) Filed: **Aug. 30, 2013**

Related U.S. Application Data

(63) Continuation of application No. 29/405,811, filed on Nov. 7, 2011, now Pat. No. Des. 689,462.

(51) **LOC (10) CI.** **14-03**

(52) **U.S. CI.**
USPC **D14/188**

(58) **Field of Classification Search**
USPC D14/168, 169, 179, 188, 194-198, 215, D14/217, 257, 265, 299, 496; 330/1 R, 3, 4, 330/250; 381/86, 120; 455/344-351
See application file for complete search history.

(56) **References Cited**

U.S. PATENT DOCUMENTS

D192,859 S * 5/1962 Fender D14/196
D205,947 S * 10/1966 Hopkins et al. D14/196
D207,402 S * 4/1967 McClellan D14/196

D237,089 S * 10/1975 Walker D14/196
D315,736 S * 3/1991 Takagi D14/194
D410,465 S * 6/1999 Johnson et al. D14/188
D429,236 S * 8/2000 Pritchard D14/214
D451,084 S * 11/2001 Su D14/188
D478,564 S * 8/2003 Rizzi D14/188
D495,012 S * 8/2004 Morimoto D14/188
D546,814 S * 7/2007 Takita et al. D14/168
D582,391 S * 12/2008 Morimoto D14/214
D607,283 S * 1/2010 Mahan et al. D7/606
D636,374 S * 4/2011 Smith D14/188
D667,811 S * 9/2012 McGilivray et al. D14/196
D689,462 S * 9/2013 Quilter D14/197

* cited by examiner

Primary Examiner — Keli L Hill

(74) *Attorney, Agent, or Firm* — Perkins Coie LLP

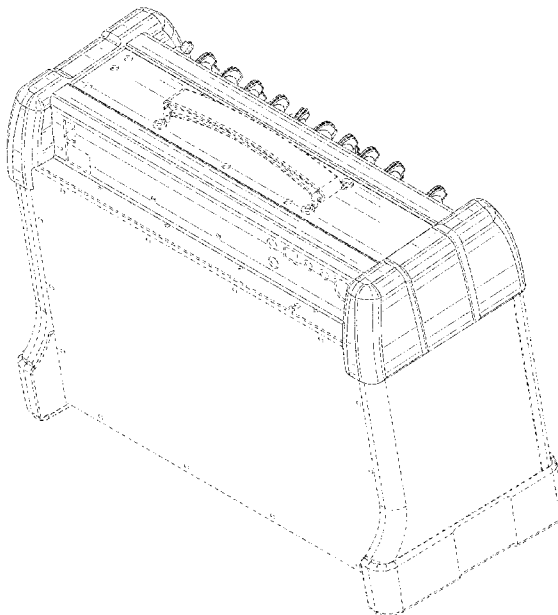
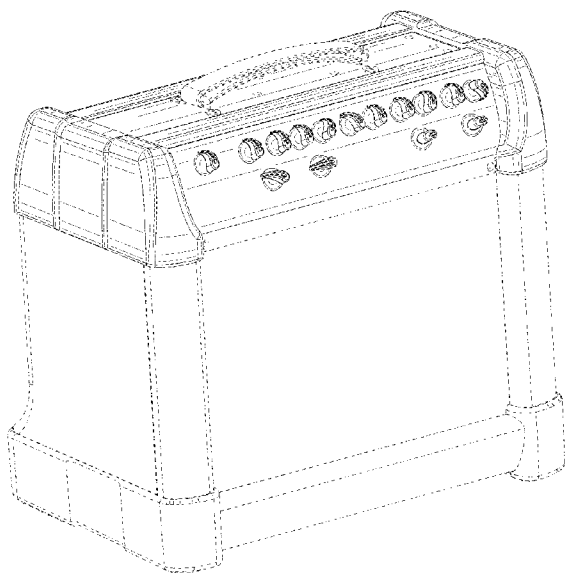
(57) **CLAIM**

The ornamental design for an amplifier, as shown and described.

DESCRIPTION

FIG. 1 is a front perspective view of an amplifier embodying my new design;
FIG. 2 is a rear perspective view thereof;
FIG. 3 is a front elevation view thereof;
FIG. 4 is a rear elevation view thereof;
FIG. 5 is a side view thereof;
FIG. 6 is an opposite side view thereof;
FIG. 7 is a top plan view thereof; and,
FIG. 8 is a bottom plan view thereof.
The broken lines are included for the purpose of illustrating portions of the amplifier that form no part of the claim.

1 Claim, 8 Drawing Sheets



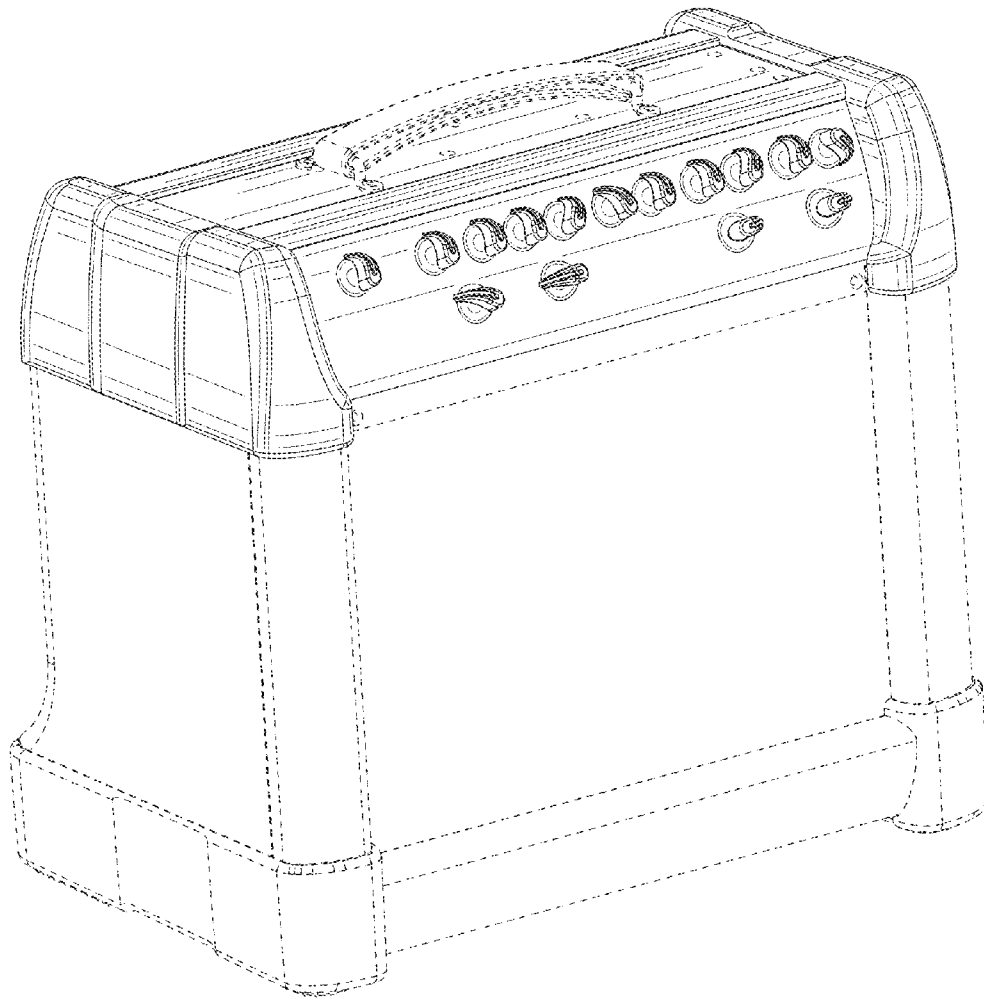


Fig. 1

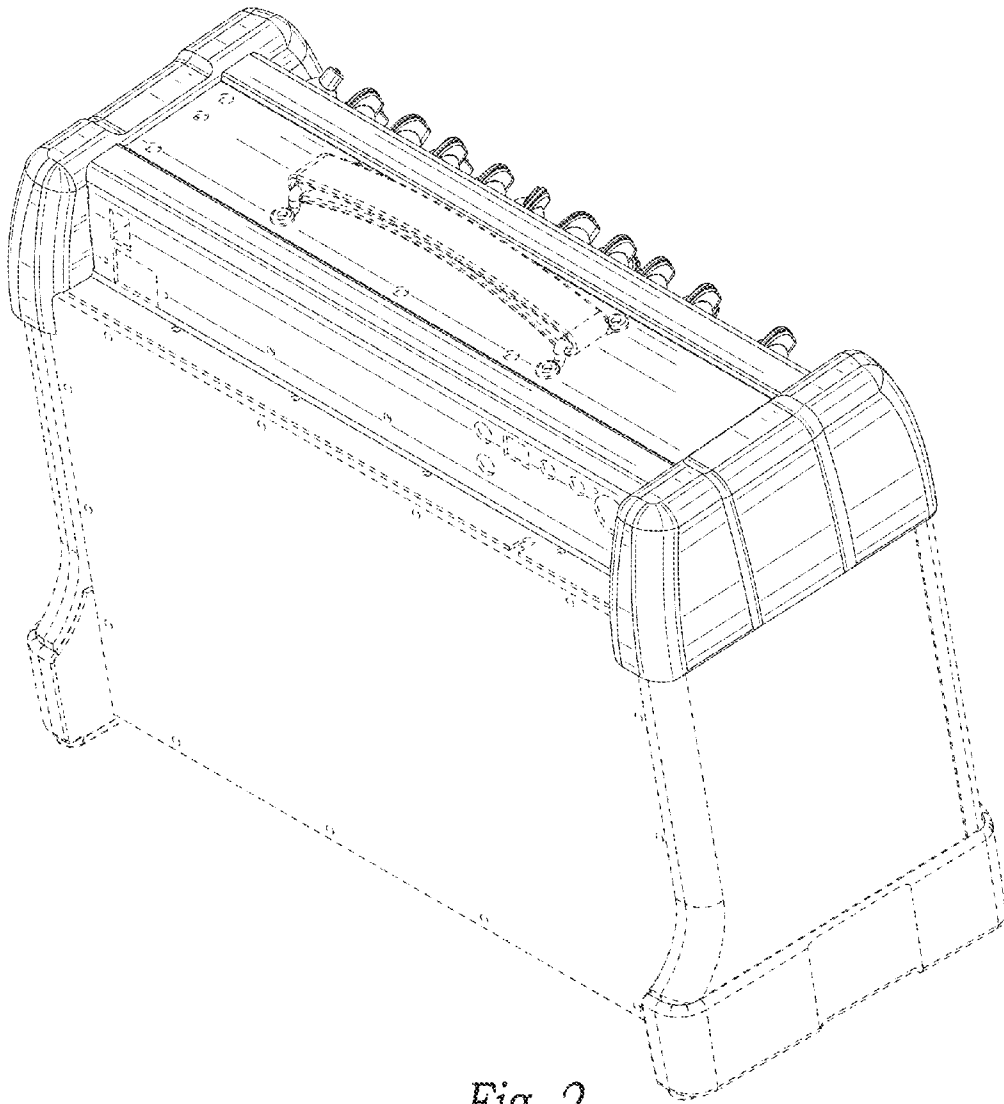


Fig. 2

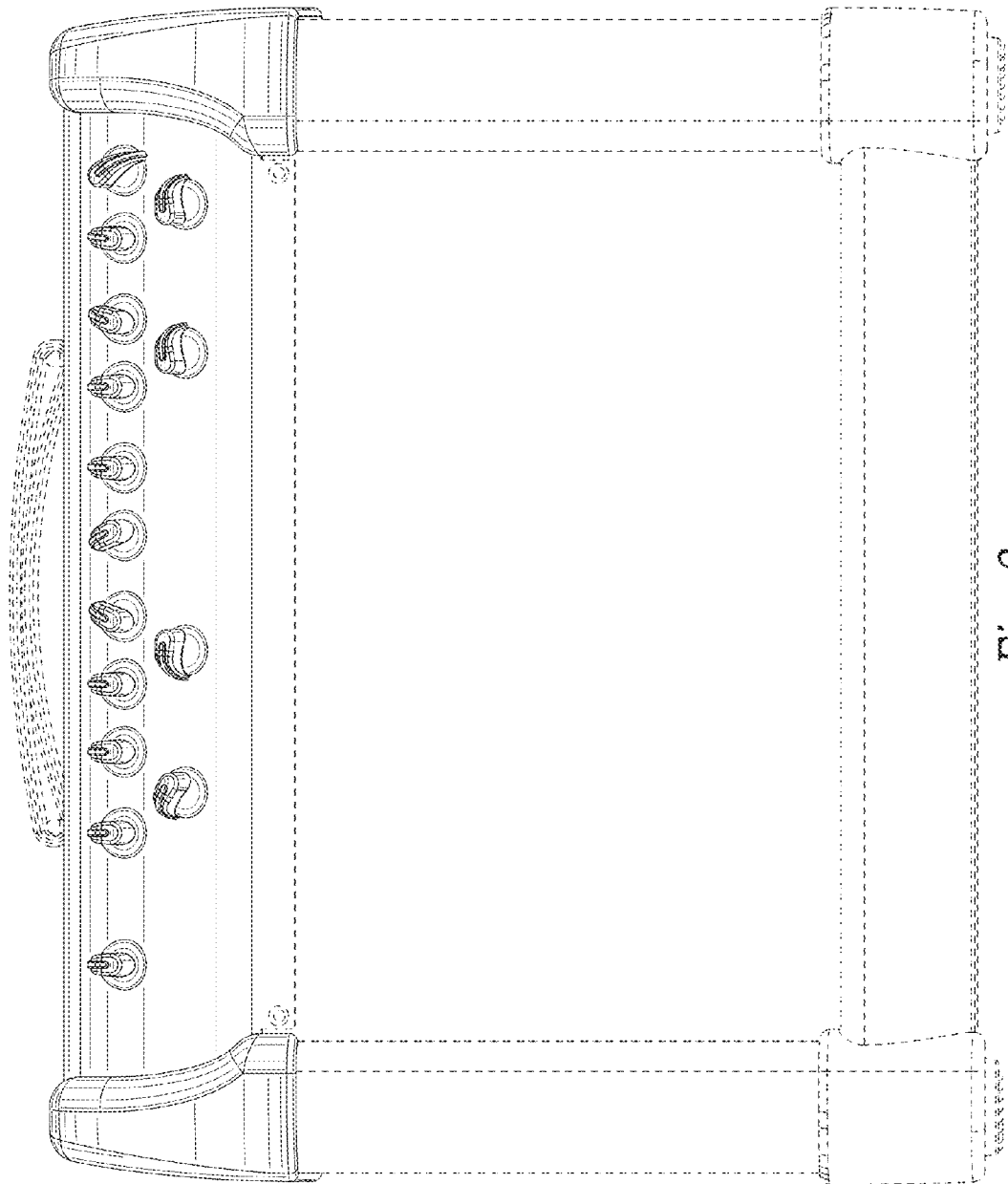


Fig. 3

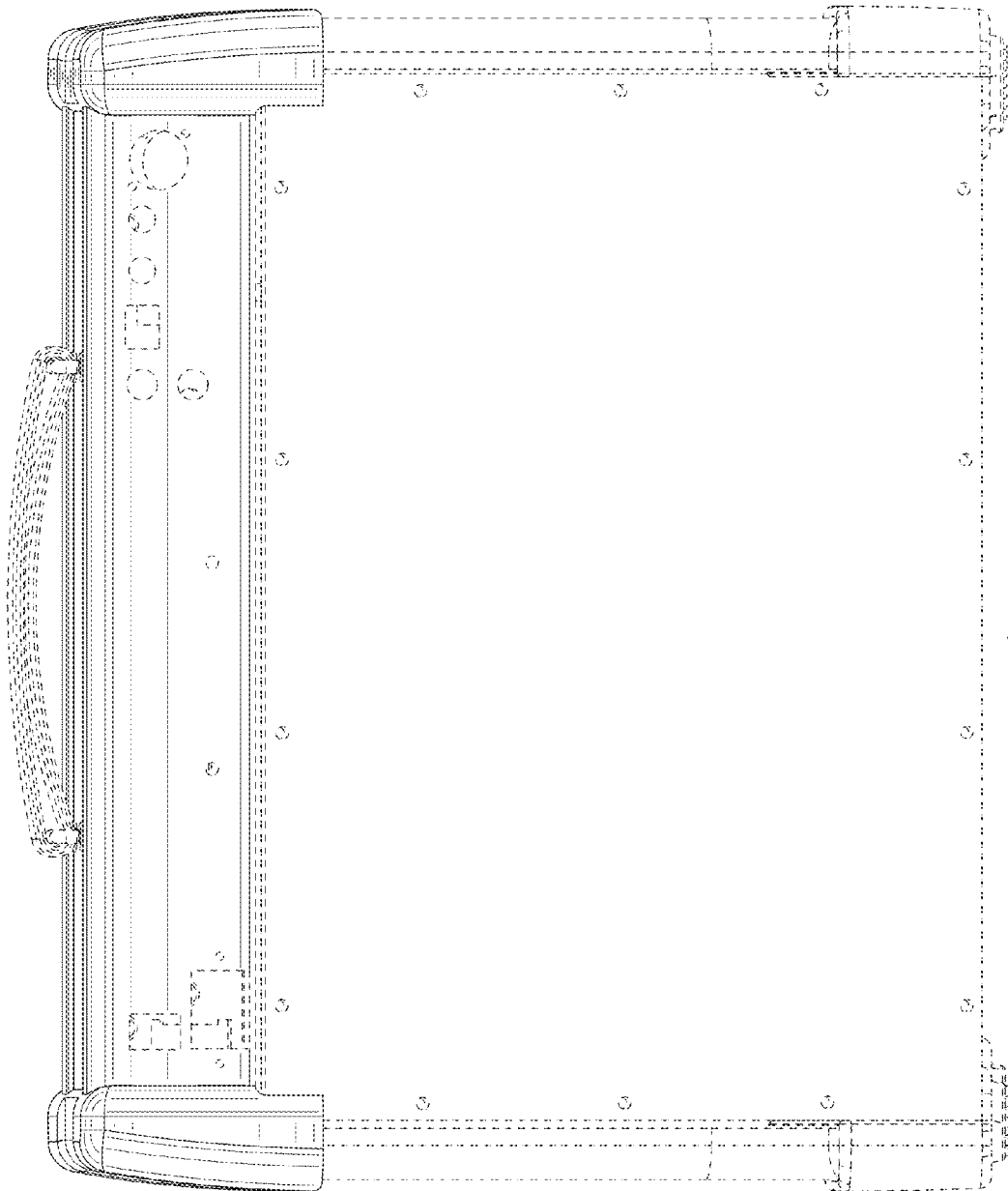


Fig. 4

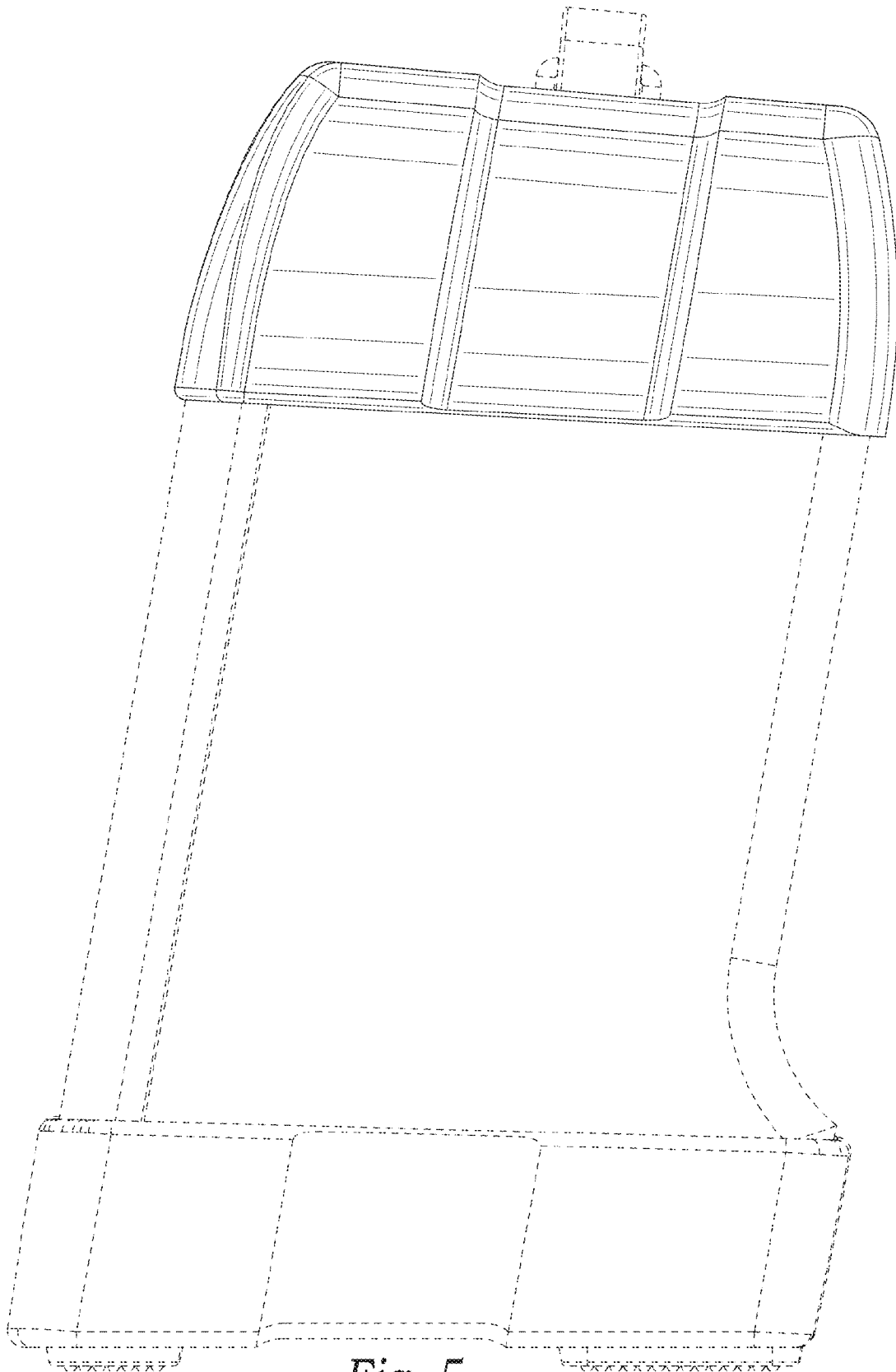


Fig. 5

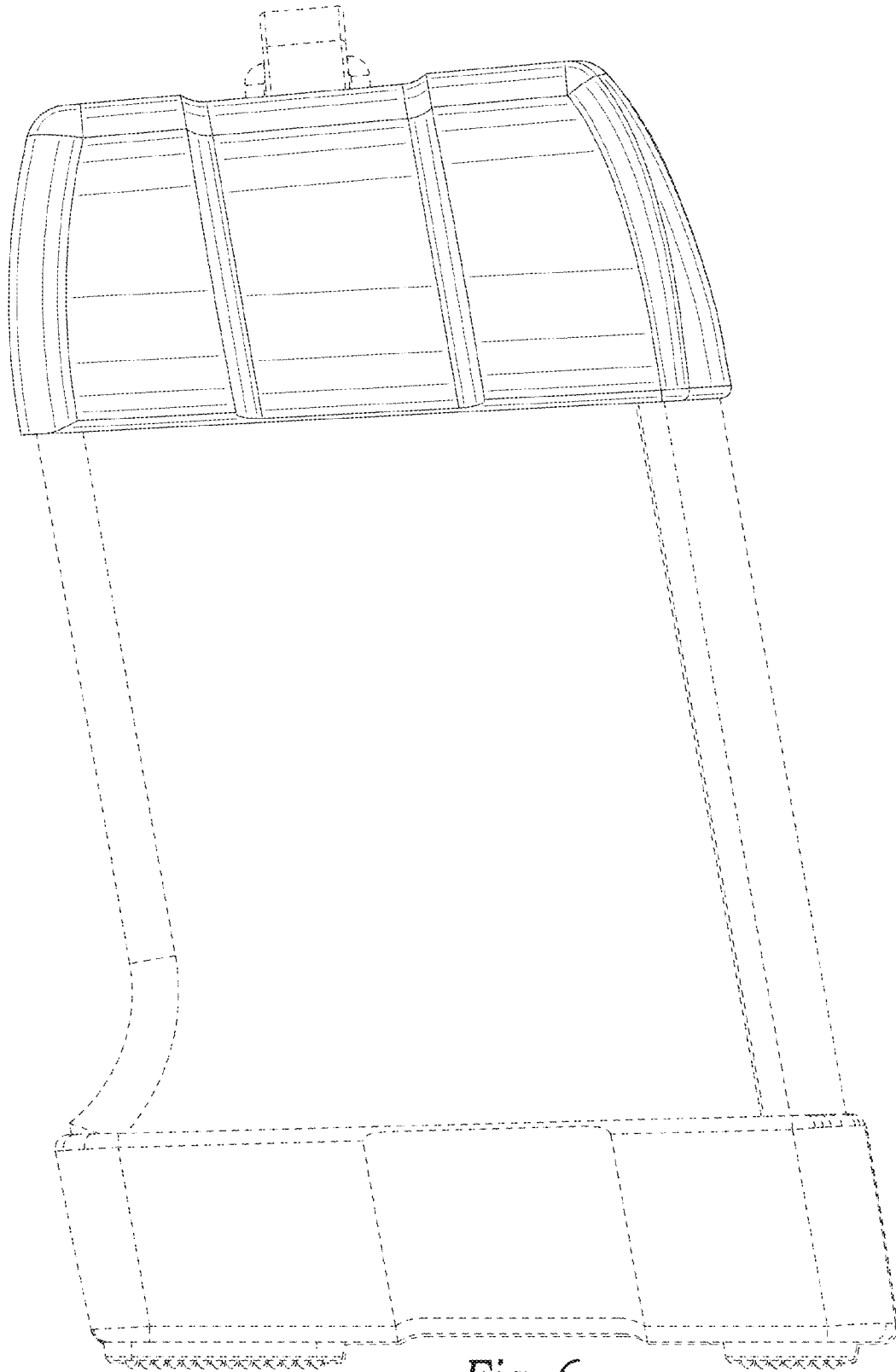


Fig. 6

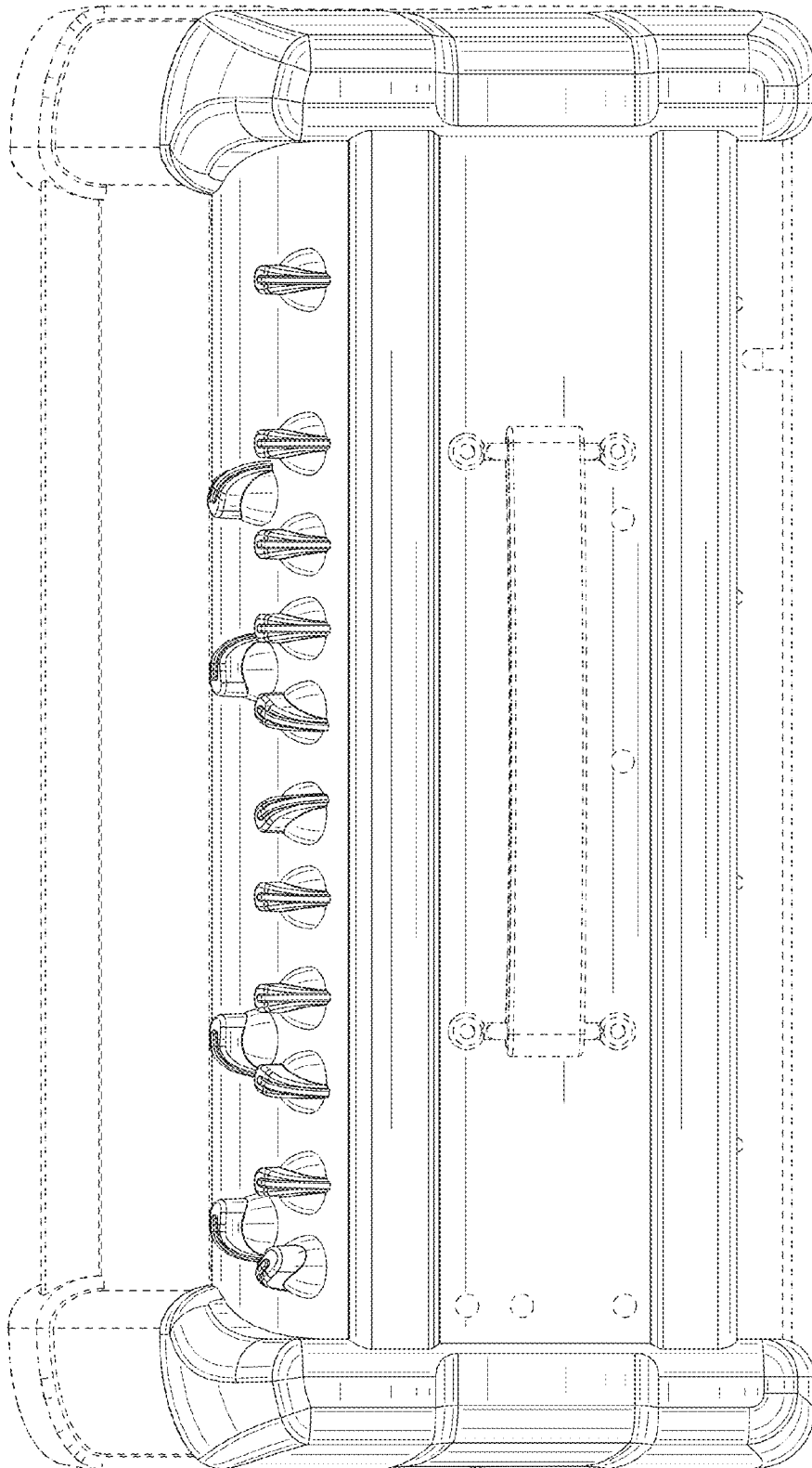


Fig. 7

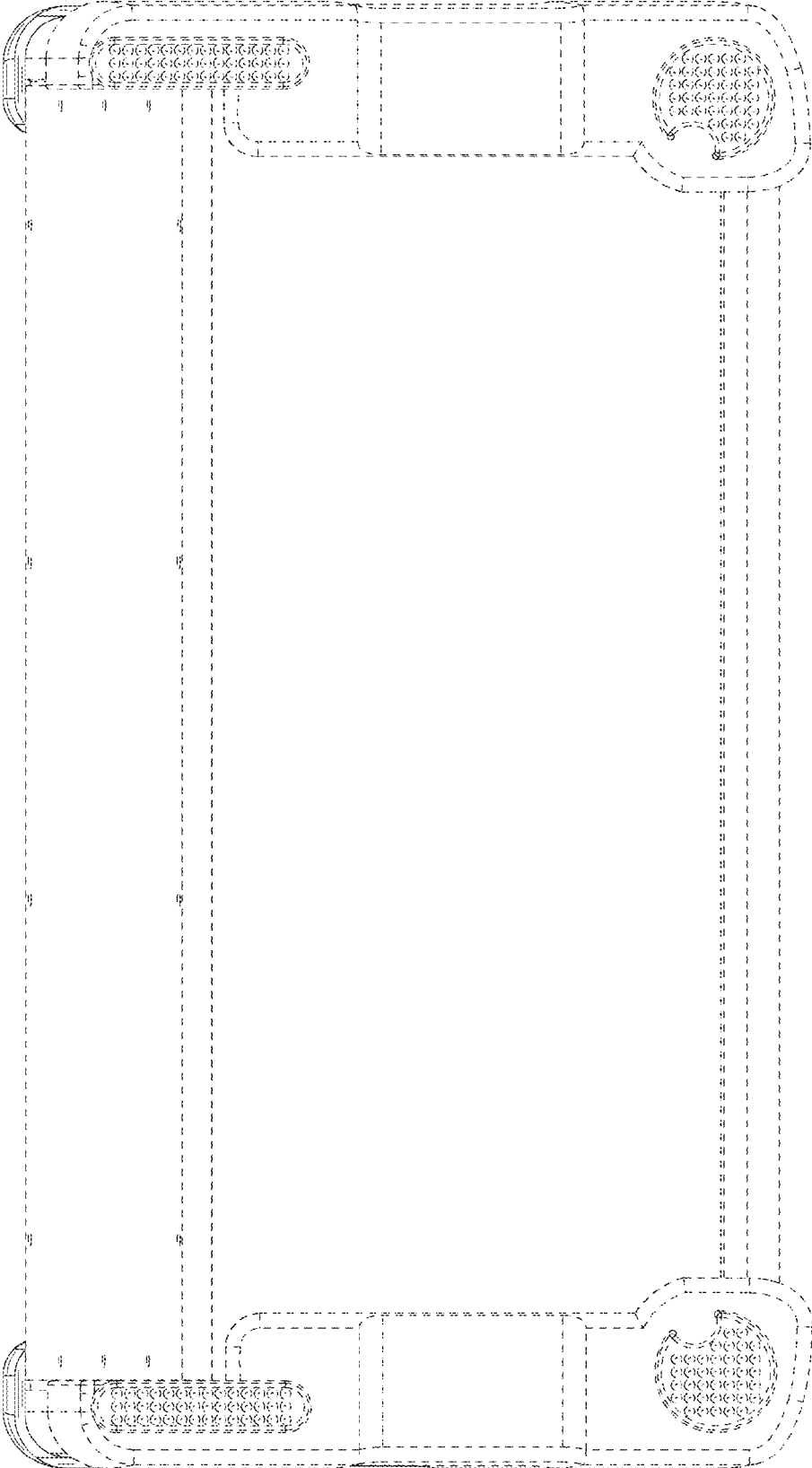


Fig. 8