

(19) World Intellectual Property Organization  
International Bureau



(43) International Publication Date  
4 March 2004 (04.03.2004)

PCT

(10) International Publication Number  
WO 2004/018991 A3

(51) International Patent Classification<sup>7</sup>: G01N 15/06,  
33/00, 33/48, 27/00, 27/02, 35/00, 25/18

CA 92109 (US). POWRIE, Don, L. [US/US]; 12546  
Heatherton Ct., #41, San Diego, CA 92128 (US). SWAN-  
SON, Paul, David [US/US]; 10854 Susie Lane, Santee,  
CA 92071 (US).

(21) International Application Number:  
PCT/US2003/025807

(74) Agent: MURPHY, David, B.; O'Melveny & Myers LLP,  
114 Pacifica, Suite 100, Irvine, CA 92618-3318 (US).

(22) International Filing Date: 7 August 2003 (07.08.2003)

(25) Filing Language: English

(26) Publication Language: English

(30) Priority Data:  
10/224,750 20 August 2002 (20.08.2002) US

(81) Designated States (national): AE, AG, AL, AM, AT, AU,  
AZ, BA, BB, BG, BR, BY, BZ, CA, CH, CN, CO, CR, CU,  
CZ, DE, DK, DM, DZ, EC, EE, ES, FI, GB, GD, GE, GH,  
GM, HR, HU, ID, IL, IN, IS, JP, KE, KG, KP, KR, KZ, LC,  
LK, LR, LS, LT, LU, LV, MA, MD, MG, MK, MN, MW,  
MX, MZ, NI, NO, NZ, OM, PG, PH, PL, PT, RO, RU, SD,  
SE, SG, SK, SL, SY, TJ, TM, TN, TR, TT, TZ, UA, UG,  
US, UZ, VN, YU, ZA, ZM, ZW.

(71) Applicant (for all designated States except US):  
NANOGEN, INC. [US/US]; 10398 Pacific Center  
Court, San Diego, CA 92121 (US).

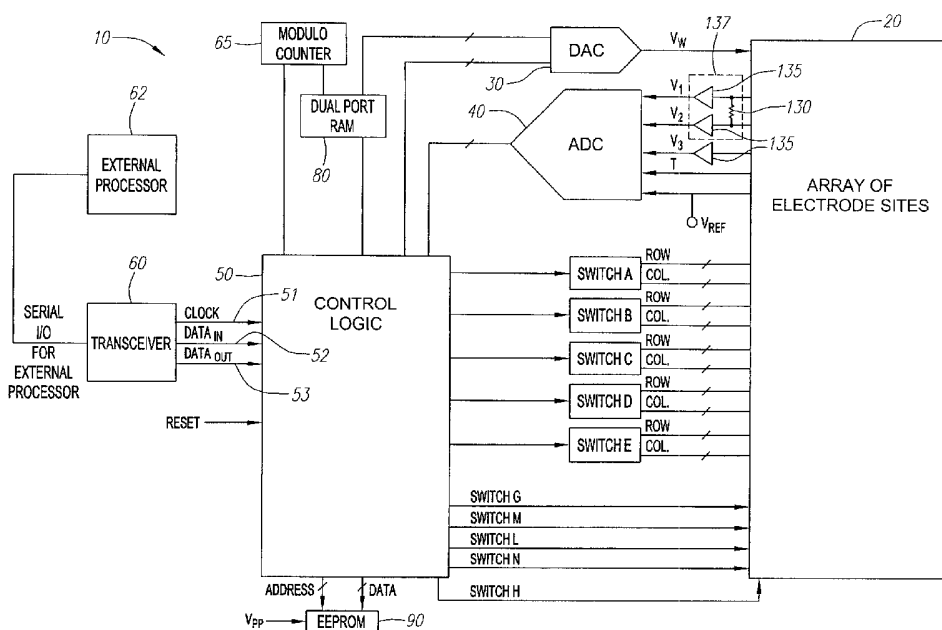
(84) Designated States (regional): ARIPO patent (GH, GM,  
KE, LS, MW, MZ, SD, SL, SZ, TZ, UG, ZM, ZW),  
Eurasian patent (AM, AZ, BY, KG, KZ, MD, RU, TJ, TM),  
European patent (AT, BE, BG, CH, CY, CZ, DE, DK, EE,  
ES, FI, FR, GB, GR, HU, IE, IT, LU, MC, NL, PT, RO,  
SE, SI, SK, TR), OAPI patent (BF, BJ, CF, CG, CI, CM,  
GA, GN, GQ, GW, ML, MR, NE, SN, TD, TG).

(72) Inventors; and

(75) Inventors/Applicants (for US only): GELBART,  
Richard [US/US]; 1408 Vue Du Bay Court, San Diego,

[Continued on next page]

(54) Title: PROGRAMMABLE MULTIPLEXED ACTIVE BIOLOGIC ARRAY



(57) Abstract: The present invention is directed to devices and methods for carrying out and/or monitoring biological reactions in response to electrical stimuli. A programmable multiplexed active biologic array includes an array of electrodes coupled to sample-and-hold circuits. The programmable multiplexed active biologic array includes a digital interface that allows external control of the array using an external processor. The circuit may monitor, digitally control, and deliver electrical stimuli to the electrodes individually or in selected groups.

WO 2004/018991 A3



**Published:**

- *with international search report*
- *before the expiration of the time limit for amending the claims and to be republished in the event of receipt of amendments*

*For two-letter codes and other abbreviations, refer to the "Guidance Notes on Codes and Abbreviations" appearing at the beginning of each regular issue of the PCT Gazette.*

**(88) Date of publication of the international search report:**

22 July 2004

**INTERNATIONAL SEARCH REPORT**

International application No.

PCT/US03/25807

<b>A. CLASSIFICATION OF SUBJECT MATTER</b>		
IPC(7) : G01N 15/06, 33/00, 33/48, 27/00, 27/02, 35/00, 25/18		
US CL : 422/50, 68.1, 82.01, 82.02; 436/43, 63, 149		
According to International Patent Classification (IPC) or to both national classification and IPC		
<b>B. FIELDS SEARCHED</b>		
Minimum documentation searched (classification system followed by classification symbols) U.S. : 422/50, 68.1, 82.01, 82.02; 436/43, 63, 149		
Documentation searched other than minimum documentation to the extent that such documents are included in the fields searched		
Electronic data base consulted during the international search (name of data base and, where practicable, search terms used) EAST		
<b>C. DOCUMENTS CONSIDERED TO BE RELEVANT</b>		
Category *	Citation of document, with indication, where appropriate, of the relevant passages	Relevant to claim No.
A	US 6,258,606 B1 (KOVACS) 10 JULY 2001.	1-20
<del>A</del>	<del>US 5,378,343 A (KOUNAVES et al.) 03 JANUARY 1995.</del>	<del>1-20</del>
A	US 5,314,495 A (KOVACS) 24 MAY 1994.	1-20
A	US 5,178,161 A (KOVACS) 12 JANUARY 1993.	1-20
A	US 6,068,818 A (ACKLEY et al.) 30 MAY 2000.	1-20
A	US 6,017,696 A (HELLER) 25 JANUARY 2000.	1-20
<input type="checkbox"/> Further documents are listed in the continuation of Box C. <input type="checkbox"/> See patent family annex.		
* Special categories of cited documents:	"T"	later document published after the international filing date or priority date and not in conflict with the application but cited to understand the principle or theory underlying the invention
"A" document defining the general state of the art which is not considered to be of particular relevance	"X"	document of particular relevance; the claimed invention cannot be considered novel or cannot be considered to involve an inventive step when the document is taken alone
"E" earlier application or patent published on or after the international filing date	"Y"	document of particular relevance; the claimed invention cannot be considered to involve an inventive step when the document is combined with one or more other such documents, such combination being obvious to a person skilled in the art
"L" document which may throw doubts on priority claim(s) or which is cited to establish the publication date of another citation or other special reason (as specified)	"&"	document member of the same patent family
"O" document referring to an oral disclosure, use, exhibition or other means		
"P" document published prior to the international filing date but later than the priority date claimed		
Date of the actual completion of the international search	Date of mailing of the international search report	
27 May 2004 (27.05.2004)	08 JUN 2004	
Name and mailing address of the ISA/US	Authorized officer	
Mail Stop PCT, Attn: ISA/US Commissioner for Patents P.O. Box 1450 Alexandria, Virginia 22313-1450	Jill A. Warden <i>J. Whiteford</i>	
Facsimile No. (703) 305-3230	Telephone No. (571) 272-1700 <i>for</i>	