



US00D993304S

(12) **United States Design Patent**  
**Chen**

(10) **Patent No.:** **US D993,304 S**

(45) **Date of Patent:** **\*\* Jul. 25, 2023**

(54) **PROJECTOR**  
(71) Applicant: **Formovie (Chongqing) Innovative Technology Co., Ltd., Chongqing (CN)**  
(72) Inventor: **Bo Chen, Chongqing (CN)**  
(73) Assignee: **Formovie (Chongqing) Innovative Technology Co., Ltd., Chongqing (CN)**  
(\*\*) Term: **15 Years**  
(21) Appl. No.: **29/827,781**  
(22) Filed: **Feb. 22, 2022**

D835,174 S \* 12/2018 Lee ..... G03B 21/00  
D16/230  
D850,516 S \* 6/2019 Zhang ..... D16/225  
D901,577 S \* 11/2020 Zheng ..... D16/230  
D907,684 S \* 1/2021 Zheng ..... D16/230  
D967,235 S \* 10/2022 Lee ..... D16/221

(30) **Foreign Application Priority Data**  
Sep. 7, 2021 (CN) ..... 202130589893.9  
(51) **LOC (14) Cl.** ..... **16-02**  
(52) **U.S. Cl.**  
USPC ..... **D16/230; D16/225**  
(58) **Field of Classification Search**  
USPC ..... D16/221, 225, 230–231, 234; D21/514  
CPC ..... G03B 21/16; G03B 21/14; G03B 21/145;  
G03B 21/00; G03B 21/001; G03B  
21/003; G03B 21/12  
See application file for complete search history.

**OTHER PUBLICATIONS**

Formovie P1 Pocket Laser Projector. Retrieved on May 12, 2023. Retrieved from the Internet: <<https://www.formovie.com/products/formovie-p1-pocket-laser-projector>>. Reviewed dated Apr. 6, 2023.\*

\* cited by examiner

*Primary Examiner* — Wan Laymon  
(74) *Attorney, Agent, or Firm* — Westbridge IP LLC

(56) **References Cited**  
**U.S. PATENT DOCUMENTS**  
D557,726 S \* 12/2007 Sumii ..... D16/225  
D590,865 S \* 4/2009 Nishimura ..... D16/230  
D719,207 S \* 12/2014 Chen ..... D16/230  
8,985,783 B2 \* 3/2015 Kurosaki ..... G03B 21/14  
353/84

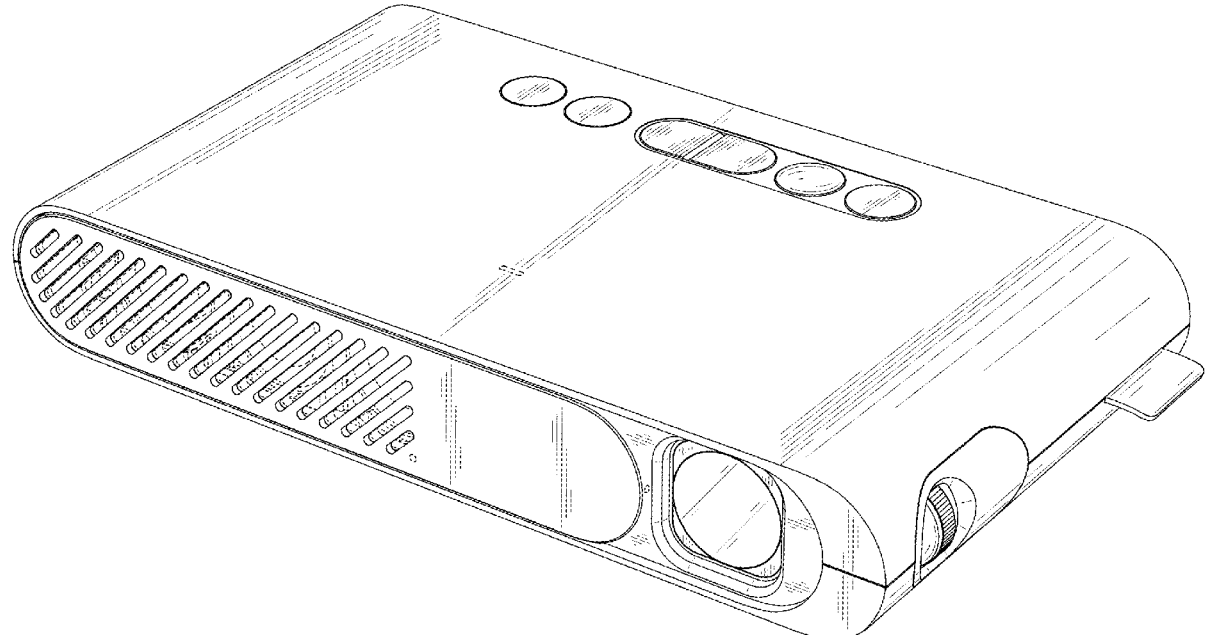
**CLAIM**

(57) The ornamental design for a projector, as shown and described.

**DESCRIPTION**

FIG. 1 is a perspective view of a projector showing my new design;  
FIG. 2 is a front elevation view thereof;  
FIG. 3 is a rear elevation view thereof;  
FIG. 4 is a left side elevation view thereof;  
FIG. 5 is a right side elevation view thereof;  
FIG. 6 is a top plan view thereof; and,  
FIG. 7 is a bottom plan view thereof.  
The dash-dash broken lines in the drawings depict the portions of the projector which form no part of the claimed design.

**1 Claim, 7 Drawing Sheets**



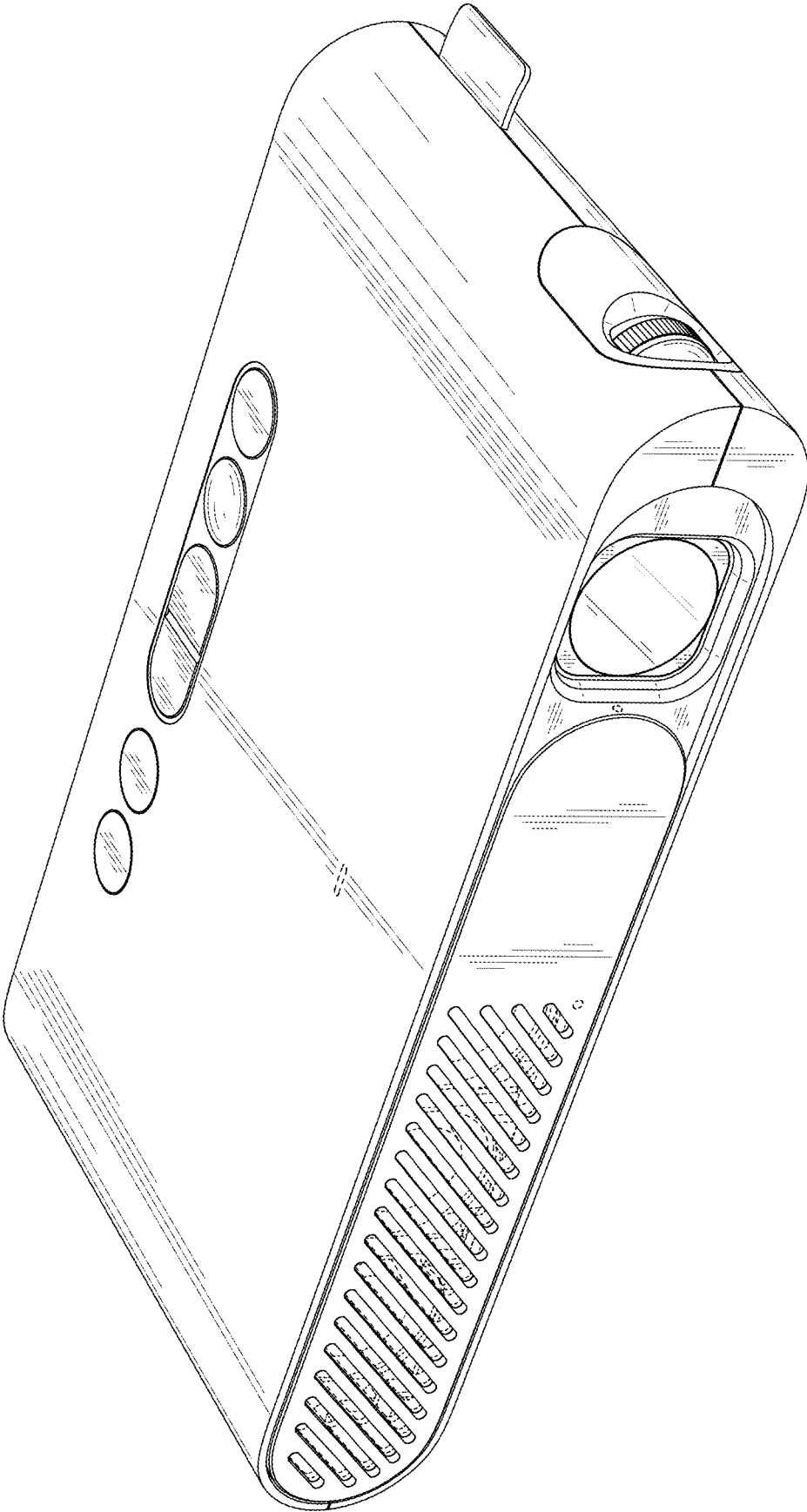


FIG. 1

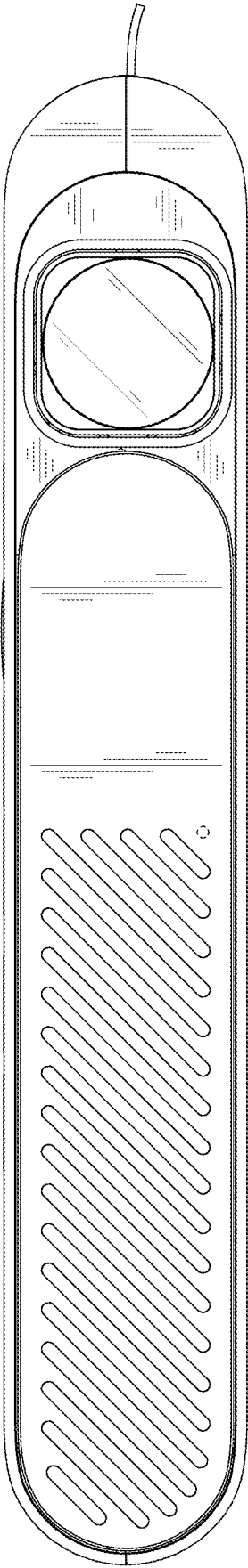


FIG. 2

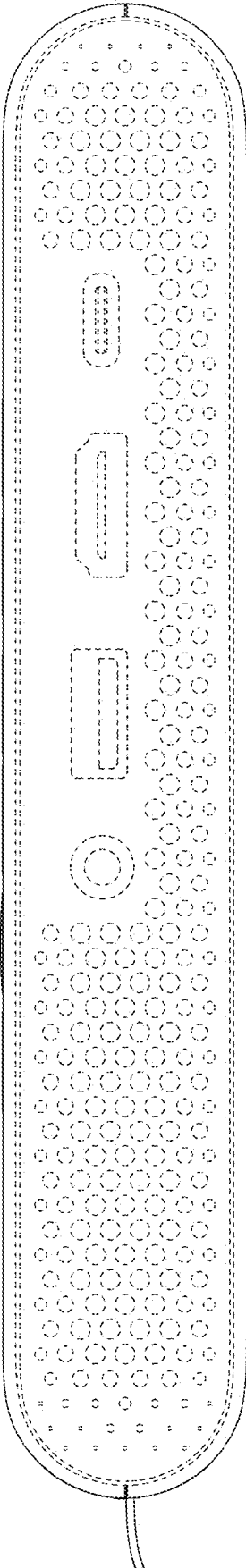


FIG. 3

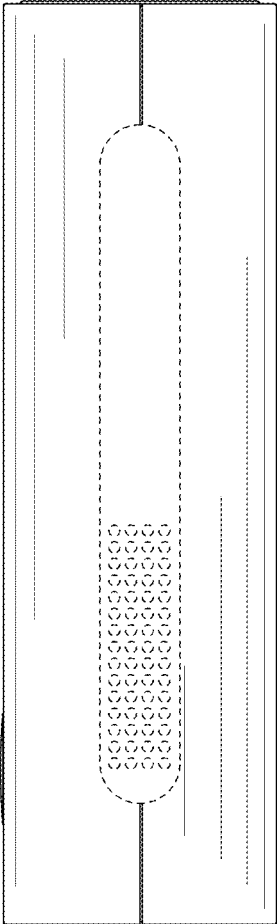


FIG. 4

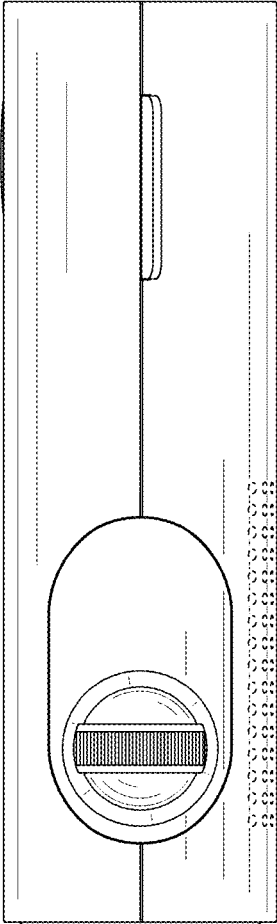


FIG. 5

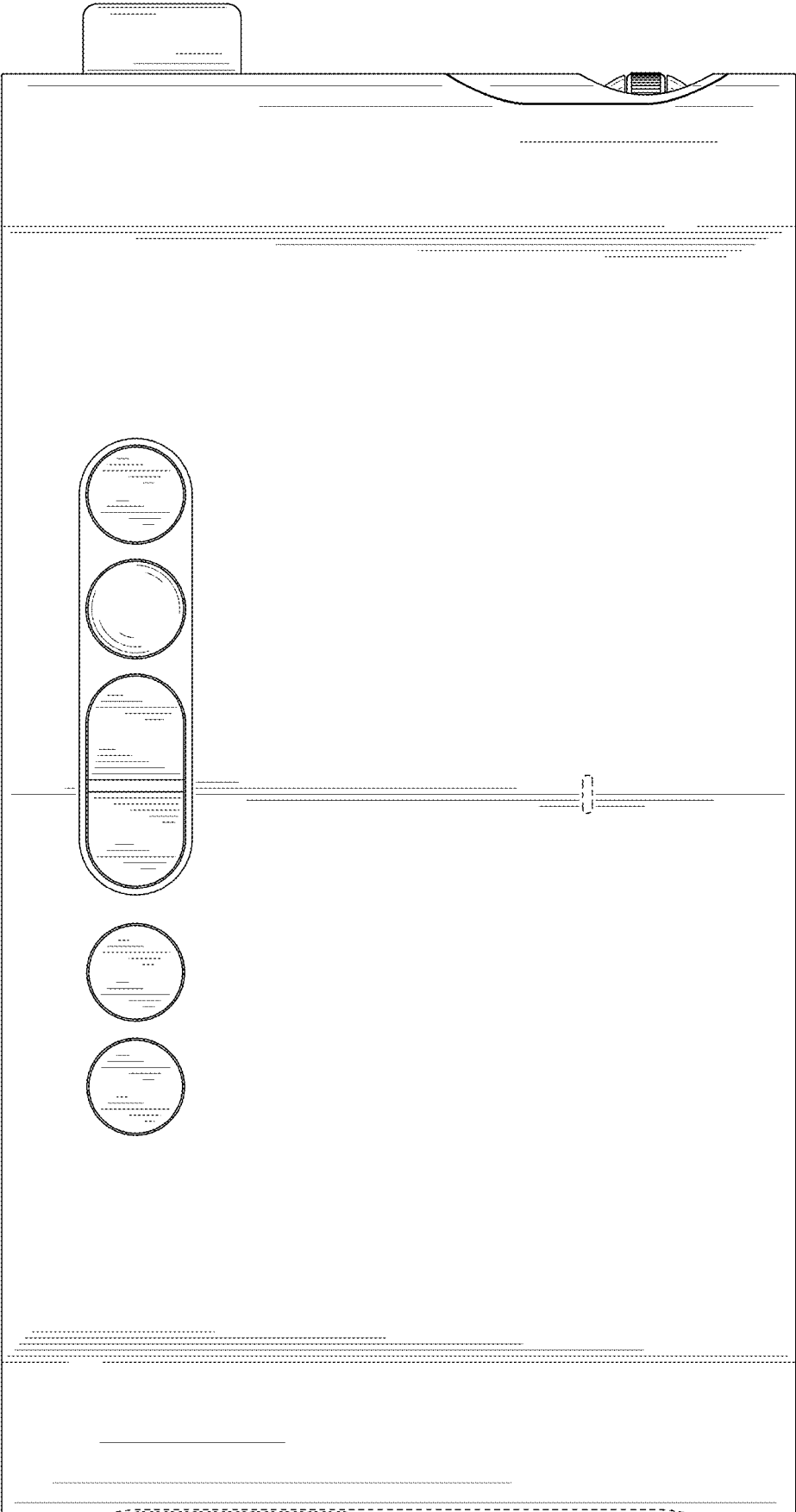


FIG. 6

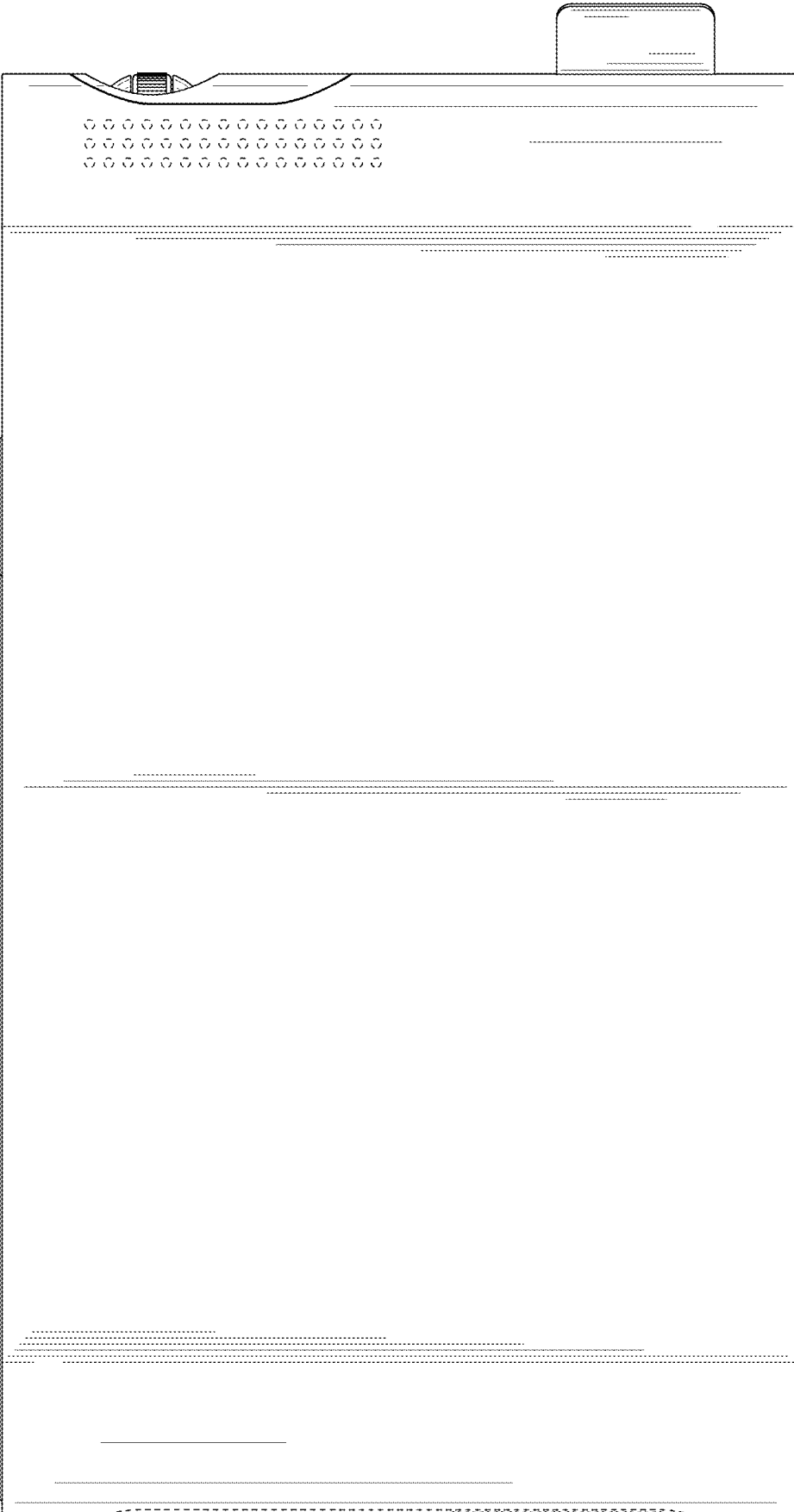


FIG. 7