



US00D764374S

(12) **United States Design Patent**
Chung

(10) **Patent No.:** **US D764,374 S**

(45) **Date of Patent:** **** Aug. 23, 2016**

- (54) **AUTOMOTIVE WHEEL**
- (71) Applicant: **Suny Chung**, Anaheim, CA (US)
- (72) Inventor: **Suny Chung**, Anaheim, CA (US)
- (**) Term: **15 Years**
- (21) Appl. No.: **29/533,795**
- (22) Filed: **Jul. 22, 2015**
- (51) **LOC (10) Cl.** **12-16**
- (52) **U.S. Cl.**
USPC **D12/211**
- (58) **Field of Classification Search**
USPC D12/204–213
CPC B60B 7/00; B60B 7/02; B60B 7/04;
B60B 7/01; B60B 7/06; B60B 3/02; B60B
3/04; B60B 3/06; B60B 3/10; B60B 1/00;
B60B 1/08; B60B 1/10; B60B 1/12
See application file for complete search history.

D715,721 S *	10/2014	Chung	D12/211
D715,724 S *	10/2014	Chung	D12/211
D723,992 S *	3/2015	Zhao	D12/209
D725,573 S *	3/2015	Mahoney	D12/211
D727,233 S *	4/2015	Kong	D12/209
D734,702 S *	7/2015	Hale	D12/209
D736,689 S *	8/2015	Lemke	D12/211
D744,930 S *	12/2015	Chung	D12/211

* cited by examiner

Primary Examiner — Stacia Cadmus

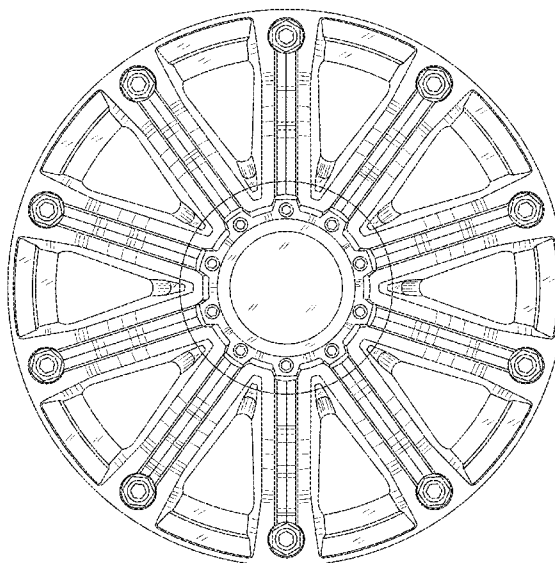
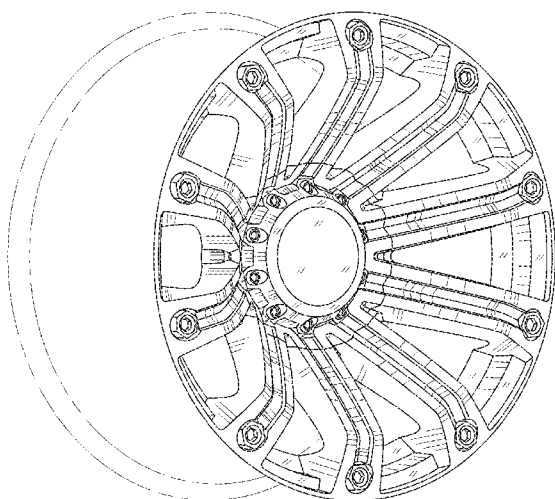
(57) **CLAIM**
The ornamental design for an automotive wheel, as shown and described.

DESCRIPTION

Embodiment 1
FIG. 1 is a perspective view of an automotive wheel, showing my new design;
FIG. 2 is a front view thereof;
Embodiment 2
FIG. 3 is a perspective view of a second embodiment of an automotive wheel; and,
FIG. 4 is a front view of FIG. 3.
The broken line showing of the rear portion of the wheel is included for the purpose of illustrating environment and forms no part of the claimed design.

1 Claim, 4 Drawing Sheets

- (56) **References Cited**
U.S. PATENT DOCUMENTS
- | | | | | |
|--------------|---------|----------|-------|---------|
| D554,037 S * | 10/2007 | Chung | | D12/211 |
| D583,291 S * | 12/2008 | Treadway | | D12/211 |
| D590,317 S * | 4/2009 | Chung | | D12/211 |
| D684,101 S * | 6/2013 | Alfonso | | D12/211 |
| D698,299 S * | 1/2014 | Chung | | D12/211 |
| D704,616 S * | 5/2014 | Chung | | D12/211 |
| D706,697 S * | 6/2014 | Chung | | D12/209 |



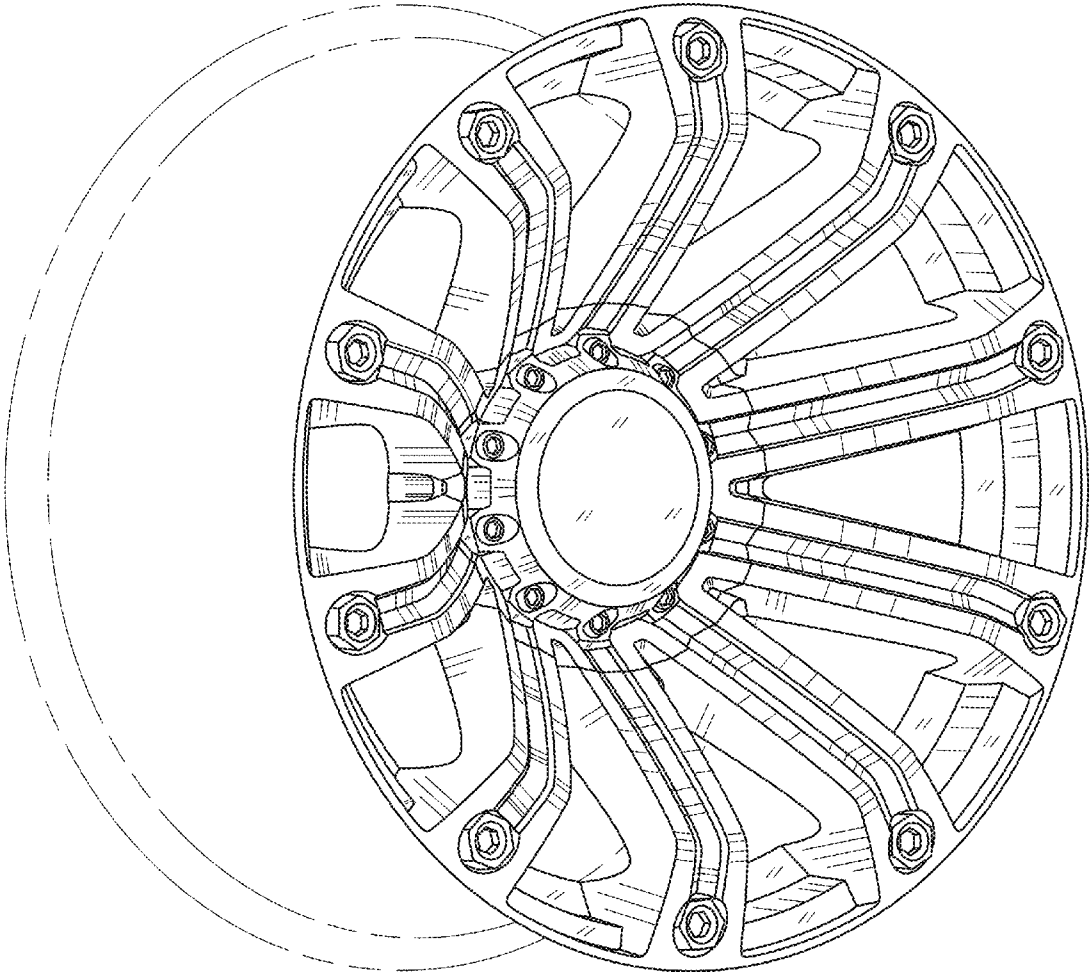


FIGURE 1

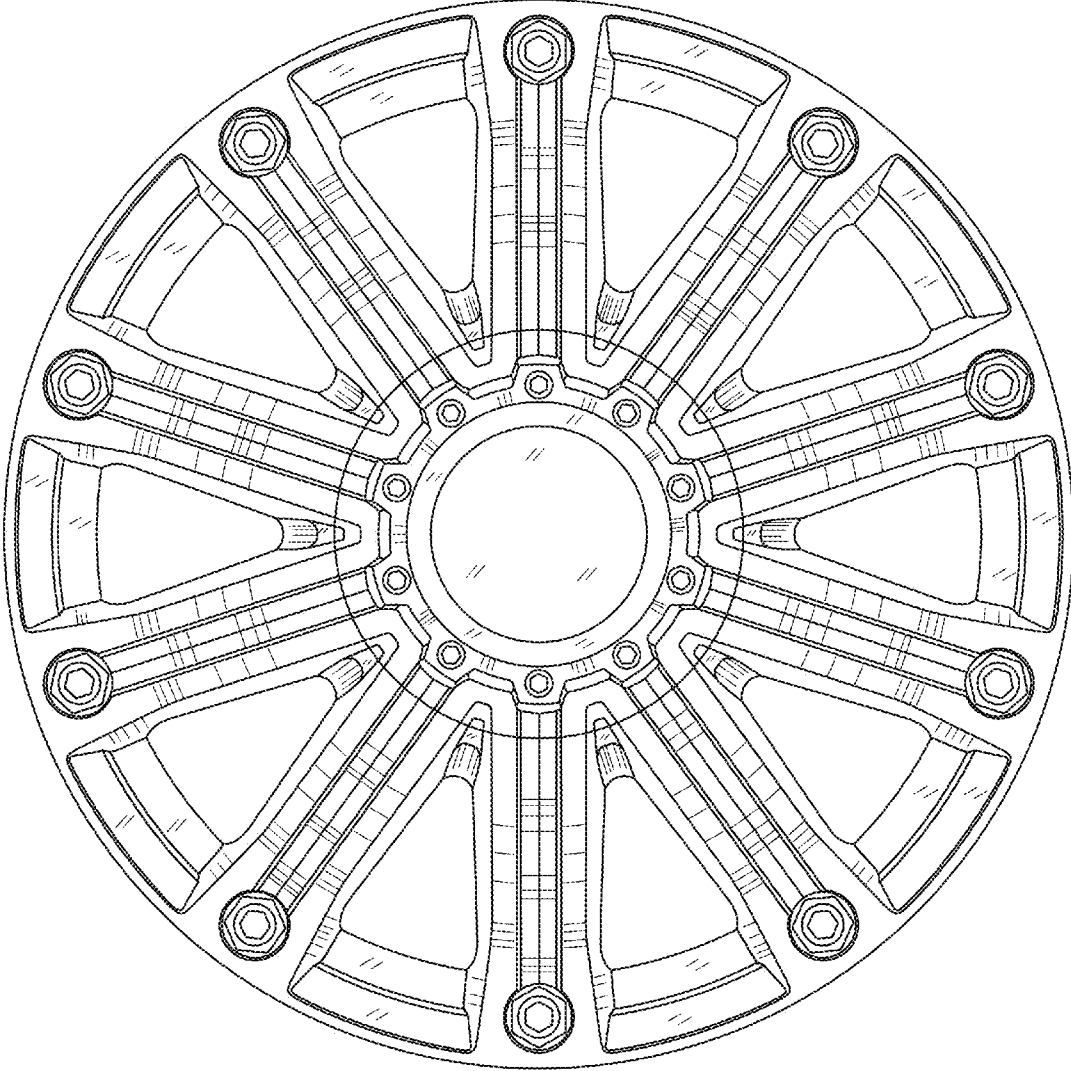


FIGURE 2

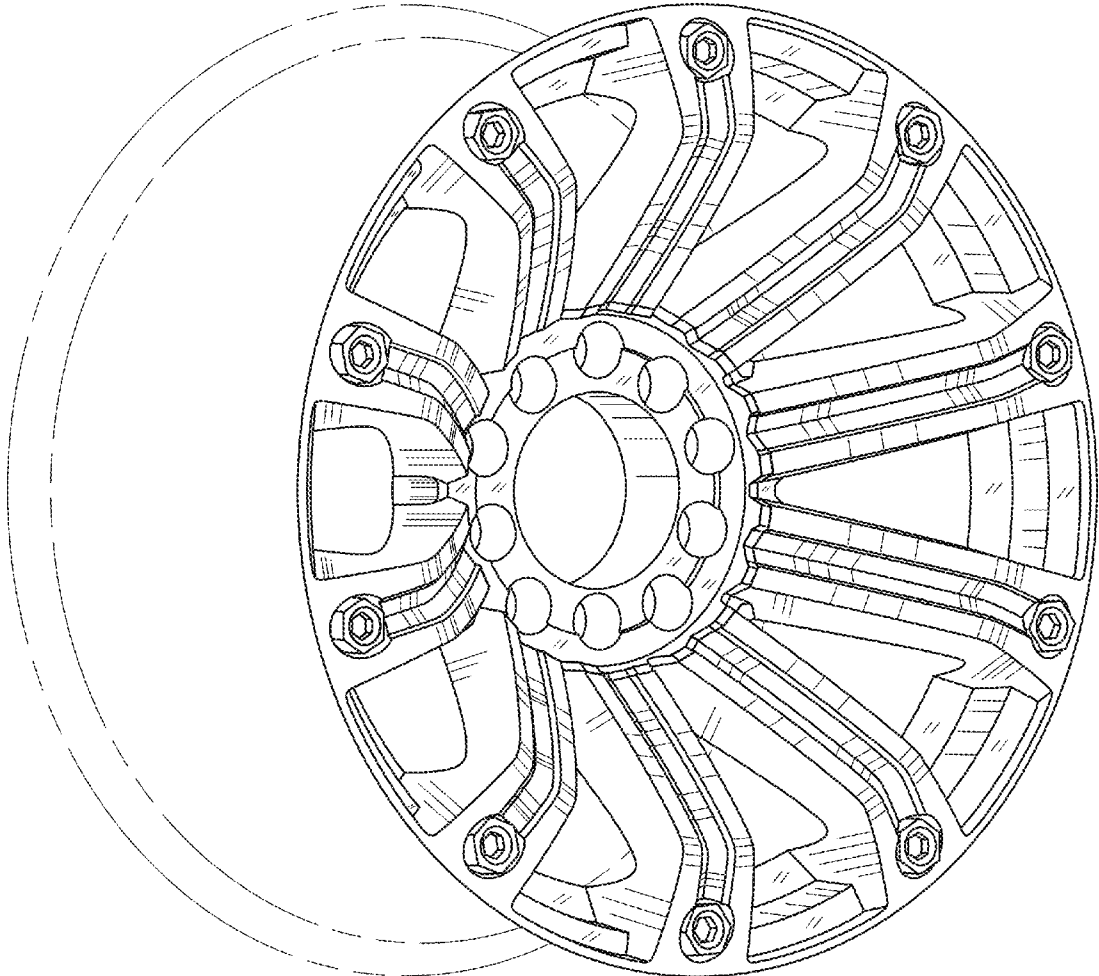


FIGURE 3

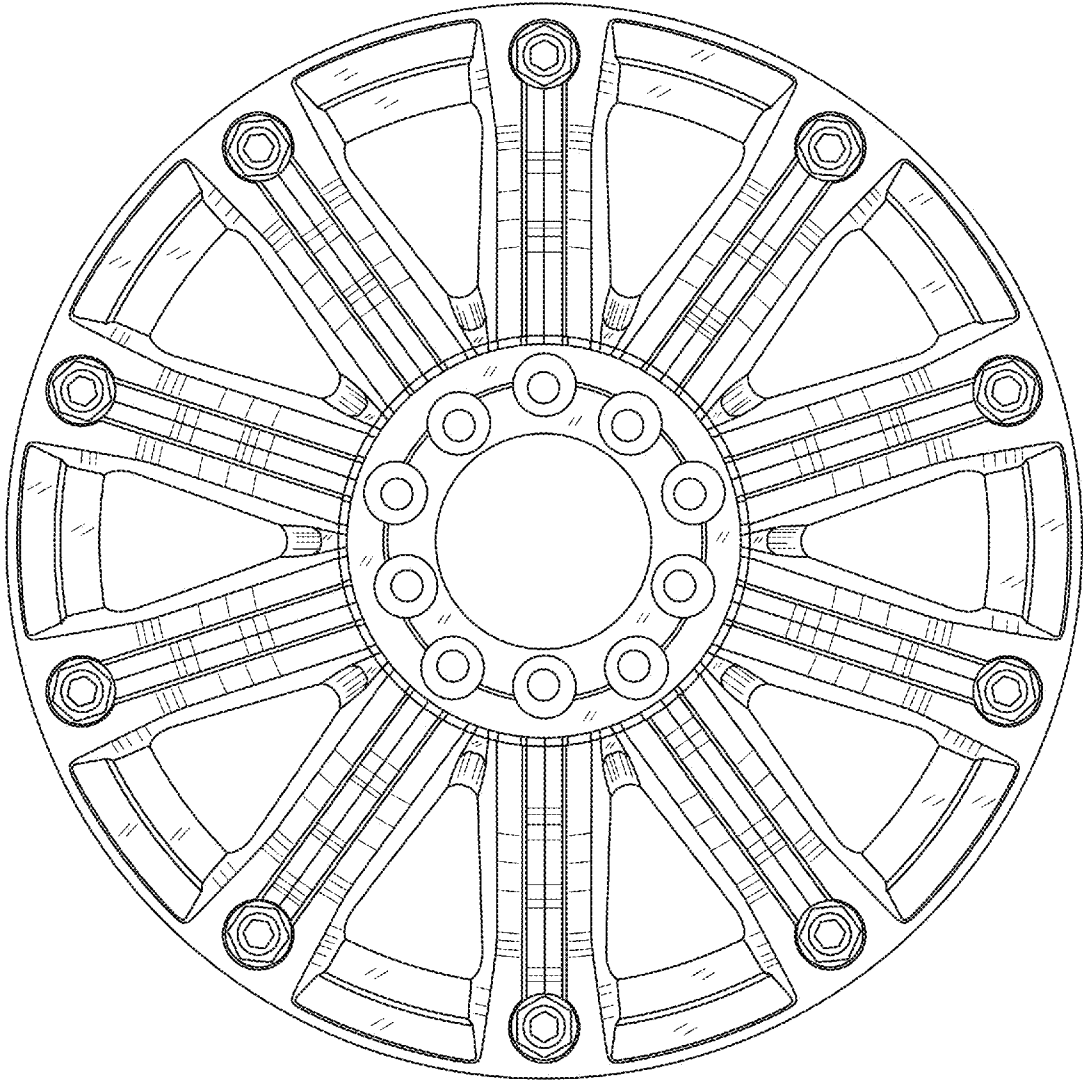


FIGURE 4