



US00D407476S

United States Patent [19]

[11] Patent Number: **Des. 407,476**

Goeren et al.

[45] Date of Patent: ****Mar. 30, 1999**

[54] AIR FRESHENER

D. 368,771	4/1996	Patel et al.	D9/503
2,770,382	11/1956	Ritter	D9/500
2,802,090	8/1957	Fatzman et al.	D23/362

[75] Inventors: **Cornelius J. Goeren**, New Albany;
Anne Peffer-Pitt, Columbus; **Elizabeth Baude Johnson**, Hilliard; **Carolyn R. Townsend**, Westerville, all of Ohio

FOREIGN PATENT DOCUMENTS

278798 of 1927 United Kingdom .

[73] Assignee: **Bath & Body Works, Inc.**,
Reynoldsburg, Ohio

OTHER PUBLICATIONS

[**] Term: **14 Years**

Glass Packer, p. 8, Jar (A), left middle side of page, Jan. 1961.

[21] Appl. No.: **67,743**

Current, p. 19, Jar (B), bottom left side of page, Aug. 1983.
Recipe Page from Pillsbury Cookbook, 1989.

[22] Filed: **Mar. 4, 1997**

Primary Examiner—Lisa Lichtenstein
Attorney, Agent, or Firm—Colucci & Umans

Related U.S. Application Data

[57] CLAIM

[62] Division of Ser. No. 45,244, Oct. 13, 1995.

The ornamental design for an air freshener, as shown.

[51] **LOC (6) Cl.** **23-04**

DESCRIPTION

[52] **U.S. Cl.** **D23/366; D23/367**

[58] **Field of Search** D23/366-369;
D9/504, 503, 500, 337; 239/34, 57, 211,
60, 58, 59, 55; 261/DIG. 65; 422/120, 123,
305

FIG. 1 is a perspective view of an air freshener showing our new design;

FIG. 2 is a perspective view of the bottom, left and back sides of the air freshener of FIG. 1; and,

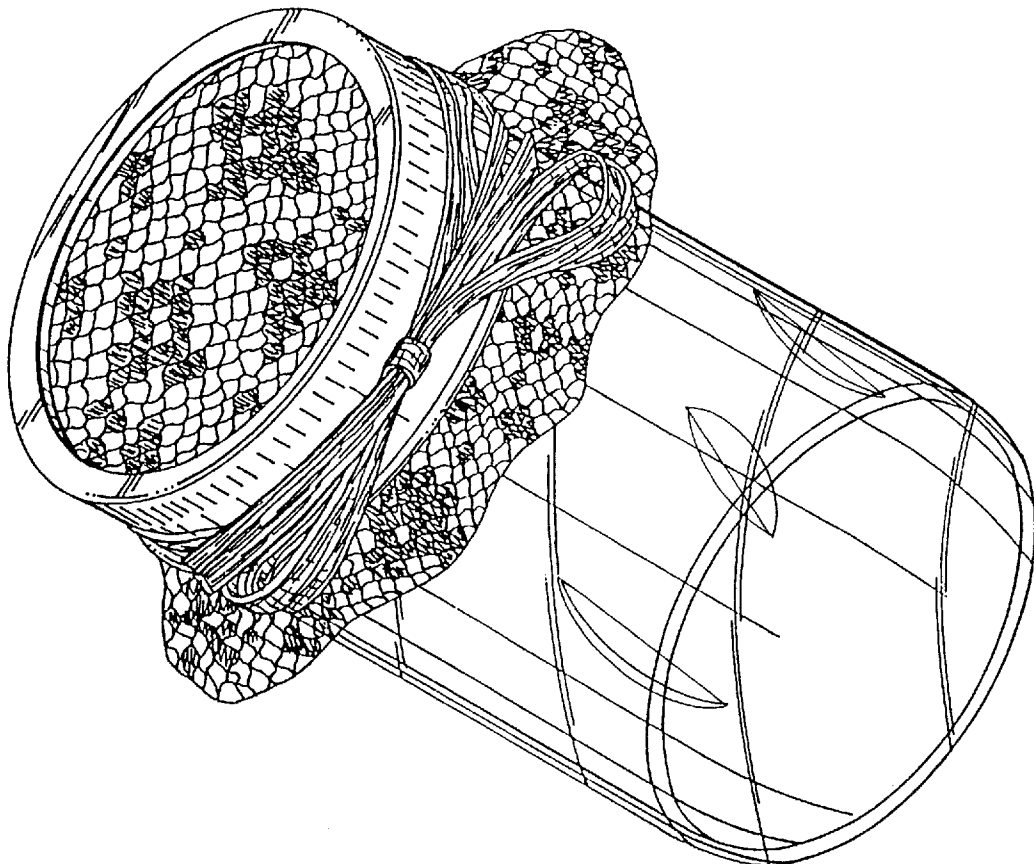
FIG. 3 is a rear elevational view of the air freshener of FIG. 1.

[56] **References Cited**

U.S. PATENT DOCUMENTS

D. 315,676 3/1991 Snipes et al. D9/337

1 Claim, 2 Drawing Sheets



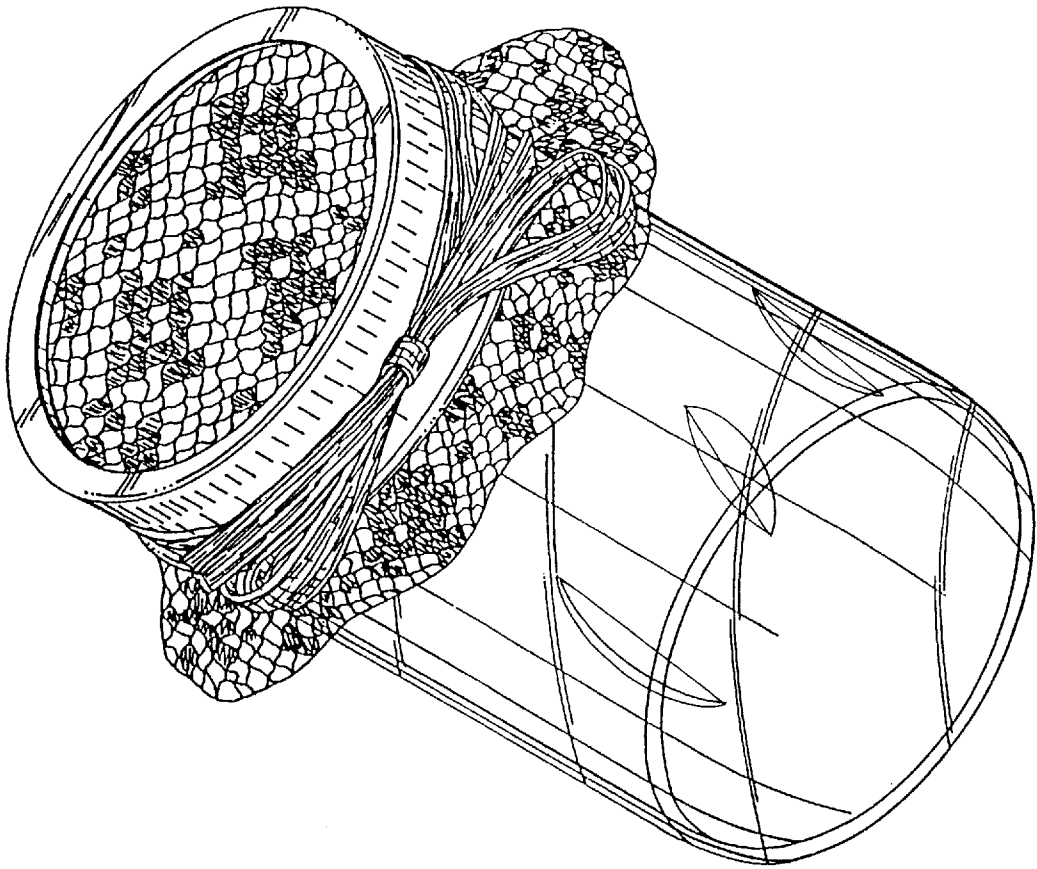


FIG. 1

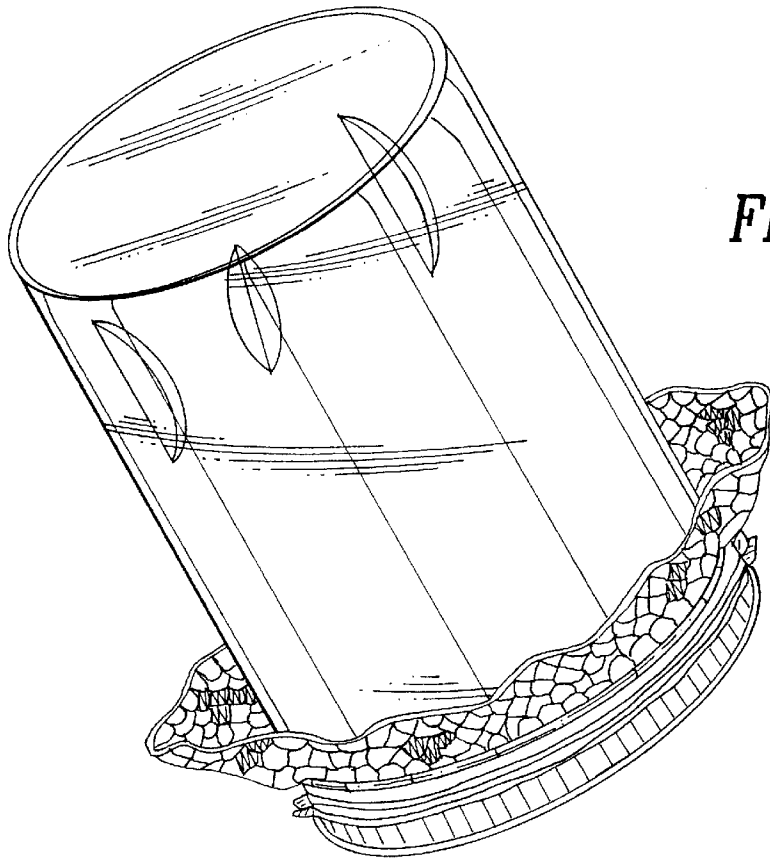


FIG. 2

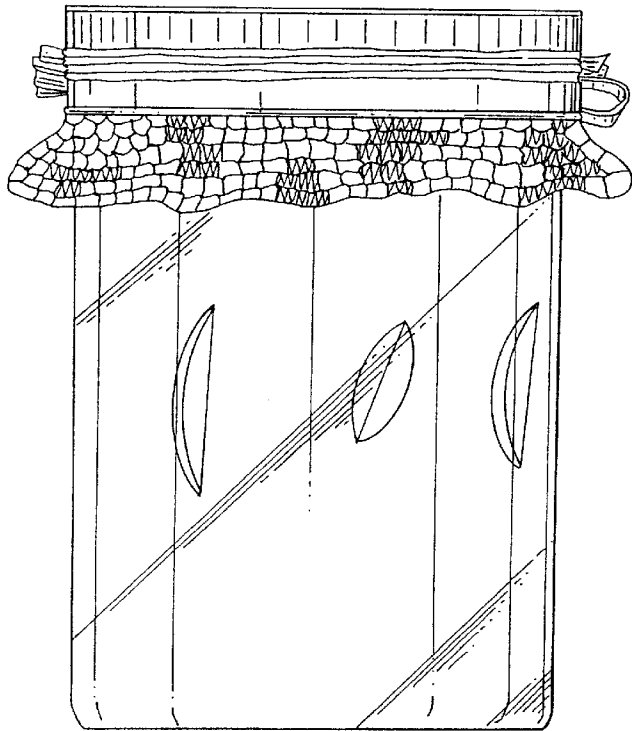


FIG. 3