



US00D547366S

(12) **United States Design Patent**
Kent et al.

(10) **Patent No.:** **US D547,366 S**

(45) **Date of Patent:** **** Jul. 24, 2007**

(54) **SHREDDER DEVICE**

D454,907 S * 3/2002 Ho D18/34.6
6,390,398 B1 * 5/2002 Wu Huang 241/100
6,454,196 B1 * 9/2002 Parke 241/224

(75) Inventors: **Michael Kent**, Cumberland, RI (US);
William D. Hester, Meriden, CT (US);
Gregg Draudt, Stow, MA (US);
Kristin Sjo-Gaber, Brookline, MA
(US); **Kibok Song**, Des Plaines, IL
(US)

(Continued)

FOREIGN PATENT DOCUMENTS

GB 2065708 * 5/2002
GB 2081404 * 2/2004
JP 11010017 1/1999
WO WO 86/06982 12/1986

(Continued)

OTHER PUBLICATIONS

Fellows 11 Sheet Cross-Cut Shredder, Internet printout, Staples.com, printed Feb. 23, 2006.

(Continued)

Primary Examiner—Charles A. Rademaker
(74) *Attorney, Agent, or Firm*—Wolf Greenfield & Sacks

(73) Assignee: **Staples the Office Superstore, LLC**, Framingham, MA (US)

(**) Term: **14 Years**

(21) Appl. No.: **29/261,525**

(22) Filed: **Jun. 15, 2006**

(51) **LOC (8) CL.** **18-04**

(52) **U.S. CL.** **D18/34.5**

(58) **Field of Classification Search** D18/34.1–34.9,
D18/99, 50; 83/167, 289, 302, 203, 523,
83/633; 241/169.1, 36, 154, 157, 222, 224,
241/168, 284, 295, 37.5, 100, 236; 385/13;
D8/99; D7/381, 383

See application file for complete search history.

(57) **CLAIM**

The ornamental design for a shredder device, as shown and described.

(56) **References Cited**

U.S. PATENT DOCUMENTS

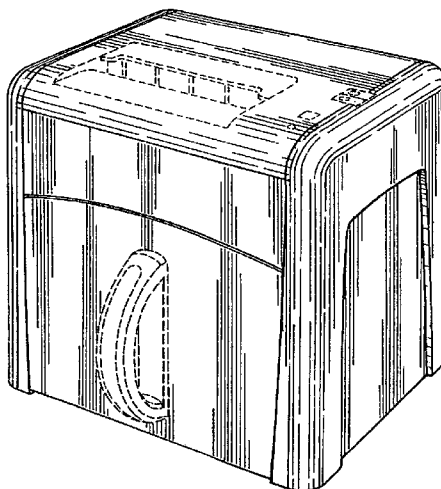
3,682,402 A * 8/1972 Goldhammer 241/100
3,724,766 A 4/1973 Bosland
3,754,498 A 8/1973 Gil
4,637,560 A 1/1987 Goldhammer
4,650,128 A 3/1987 Goldhammer
4,700,902 A 10/1987 Yeomans
4,821,967 A 4/1989 Moriyama
4,957,243 A 9/1990 Kanagaki et al.
5,035,366 A * 7/1991 Hashimoto et al. 241/36
5,269,473 A 12/1993 Strohmeyer et al.
5,429,313 A 7/1995 Schwellung
5,897,065 A 4/1999 Schwellung
6,079,645 A 6/2000 Henrickson et al.
6,116,528 A 9/2000 Schwellung
6,164,573 A * 12/2000 Li-Ming 241/100

DESCRIPTION

FIG. 1 is a side, top perspective view of a shredder device showing our new design;
FIG. 2 is a front view thereof;
FIG. 3 is a left side view thereof;
FIG. 4 is a right side view thereof;
FIG. 5 is a rear view thereof;
FIG. 6 is a top view thereof; and,
FIG. 7 is a bottom view thereof.

The broken lines in the figure drawings are included for the purpose of illustrating environment and form no part of the claimed design.

1 Claim, 4 Drawing Sheets



U.S. PATENT DOCUMENTS

6,682,006 B2 1/2004 Lee
 D498,252 S 11/2004 Lo
 D502,961 S * 3/2005 Lo D18/34.6
 6,962,301 B1 * 11/2005 Chang 241/100
 6,964,386 B2 * 11/2005 Ho 241/236
 7,083,131 B2 8/2006 Ting
 D532,444 S * 11/2006 Kao et al. D18/34.5
 7,150,422 B2 * 12/2006 Wang 241/100
 7,156,330 B1 * 1/2007 Lo 241/36
 2004/0129810 A1 7/2004 Kasprovicz et al.
 2004/0188553 A1 9/2004 Lo
 2005/0072869 A1 4/2005 Ting
 2005/0218250 A1 10/2005 Matlin et al.
 2005/0236503 A1 10/2005 Matlin et al.
 2006/0054724 A1 3/2006 Matlin et al.
 2006/0054725 A1 3/2006 Matlin

FOREIGN PATENT DOCUMENTS

WO WO 2005/096742 A2 10/2005
 WO WO 2005/097329 A1 10/2005

OTHER PUBLICATIONS

EDS-102 shredder, Internet printout, Executive Machines.com, printed Jan. 18, 2006.
 EPS-1501X shredder, Internet printout, Executive Machines.com, printed Jan. 18, 2006.

GBC 15 sheet strip-cut shredder, Internet printout, Staples.com, printed Feb. 23, 2006.
 GBC 22 sheet strip-cut shredder, Internet printout, Staples.com, printed Feb. 23, 2006.
 Whitaker 302 SF high security paper shredder, Internet printout, Whitakerbrothers.com, printed Feb. 23, 2006.
 Model Cyclone High Volume Industrial Shredder, Internet printer, balboacheckpro.com, printed Feb. 23, 2006.
 Fellowes Powershred PS-65C, Internet printout ABCOffice.com, printed Feb 23, 2006.
 Fellowes Powershred PS-60, Internet printout ABCOffice.com, printed Feb 23, 2006.
 Fellowes Powershred P-40, Internet printout ABCOffice.com, printed Feb 23, 2006.
 Fellowes Powershred SB-85C, Internet printout ABCOffice.com, printed Feb 23, 2006.
 GBC Cross Cut Model Guardian-Light Duty Shredder, Internet printout ABCOffice.com, printed Feb. 23, 2006.
 Intimus Paper Shredders—Model 155, Internet ABCOffice.com, printed Feb. 23, 2006.
 GBC Models Models 950S and 955X—Desk Side Shredders, Internet printout ABCOffice.com, printed Feb. 23, 2006.
 Telko SH2715CP Shredder, Internet printout ABCOffice.com, printed Feb. 23, 2006.
 Fellowes Powershred DS-1 Shredder, Internet printout ABCOffice.com, printed Jan. 26, 2006.

* cited by examiner

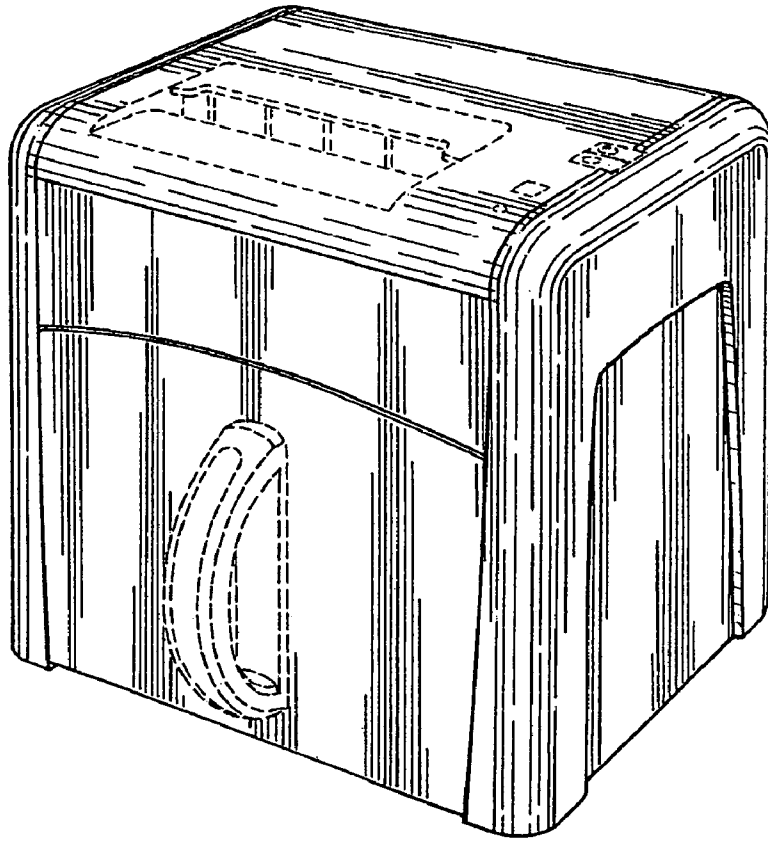


Fig. 1

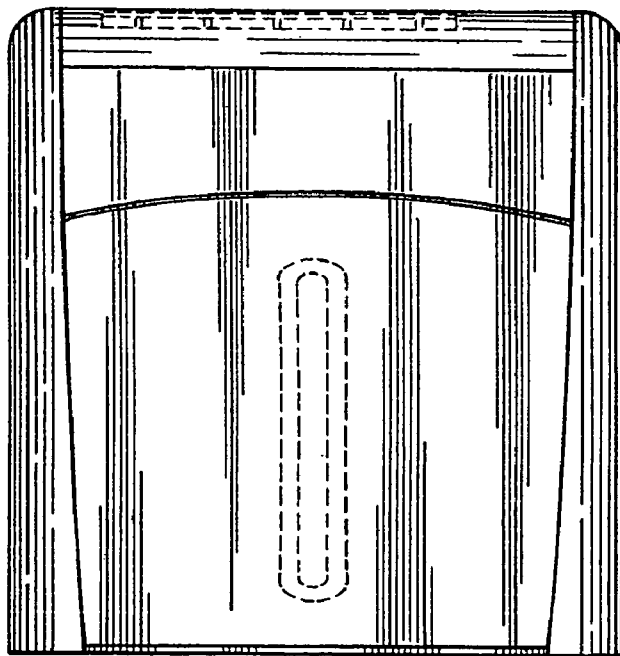


Fig. 2

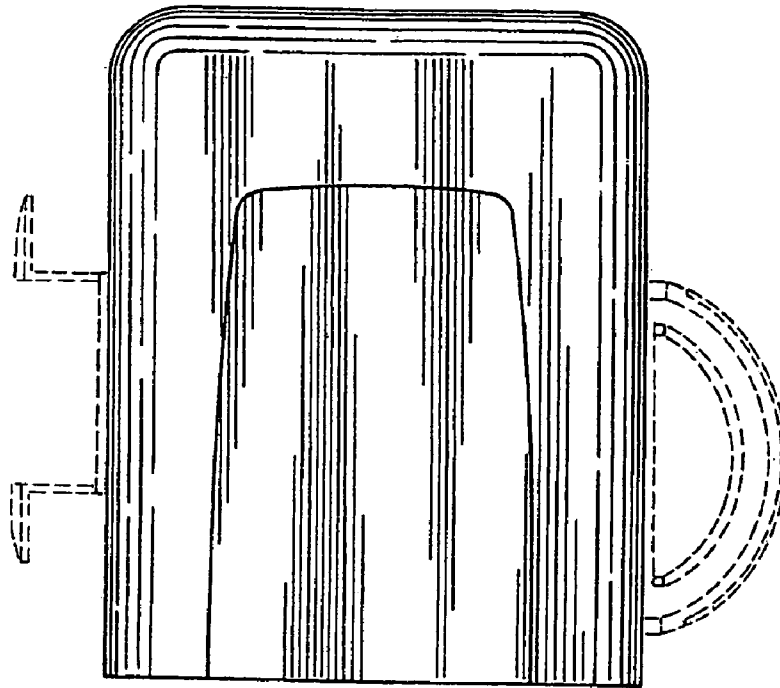


Fig. 3

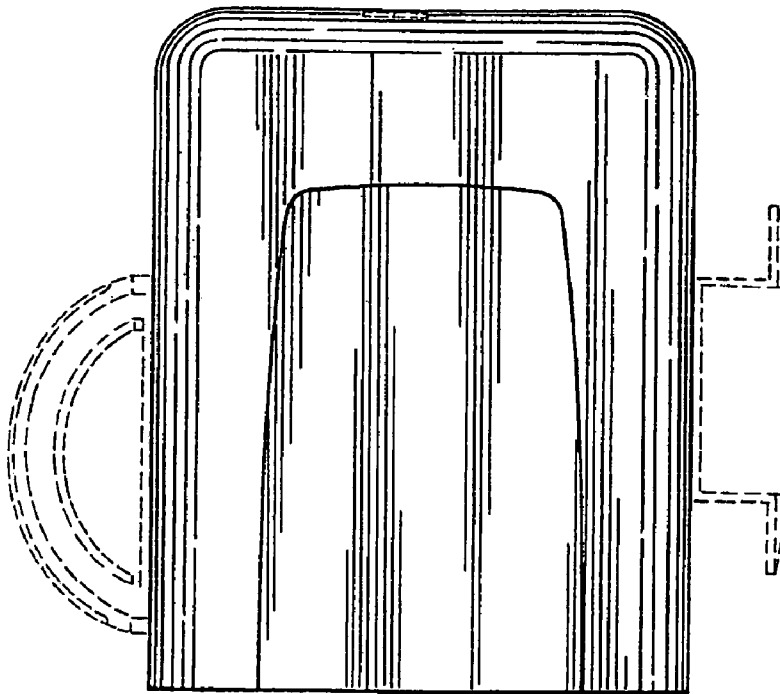


Fig. 4

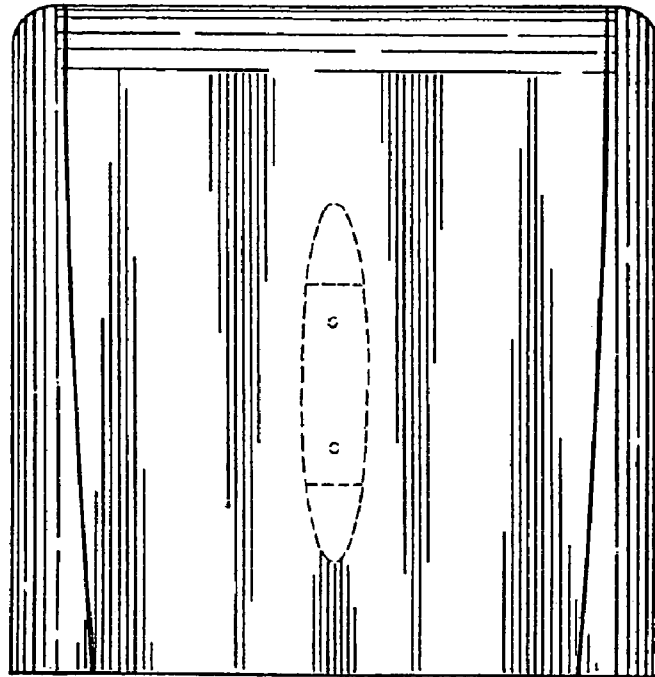


Fig. 5

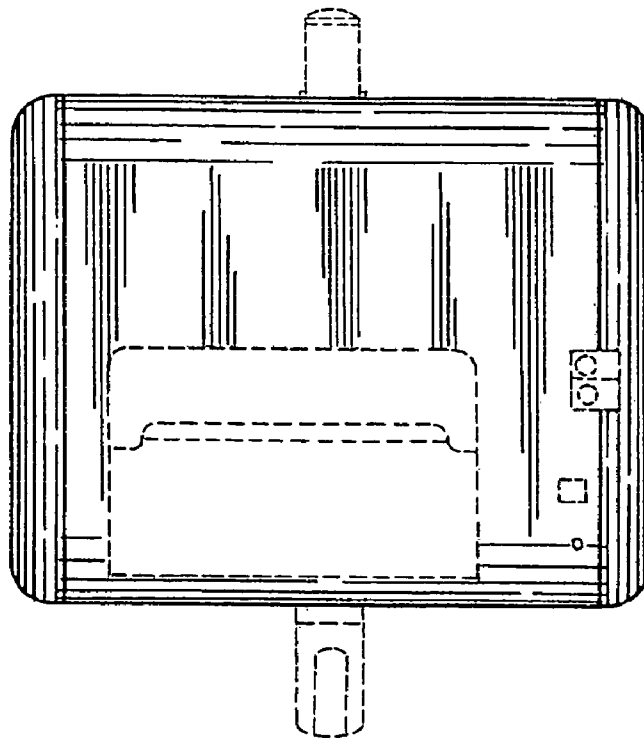


Fig. 6

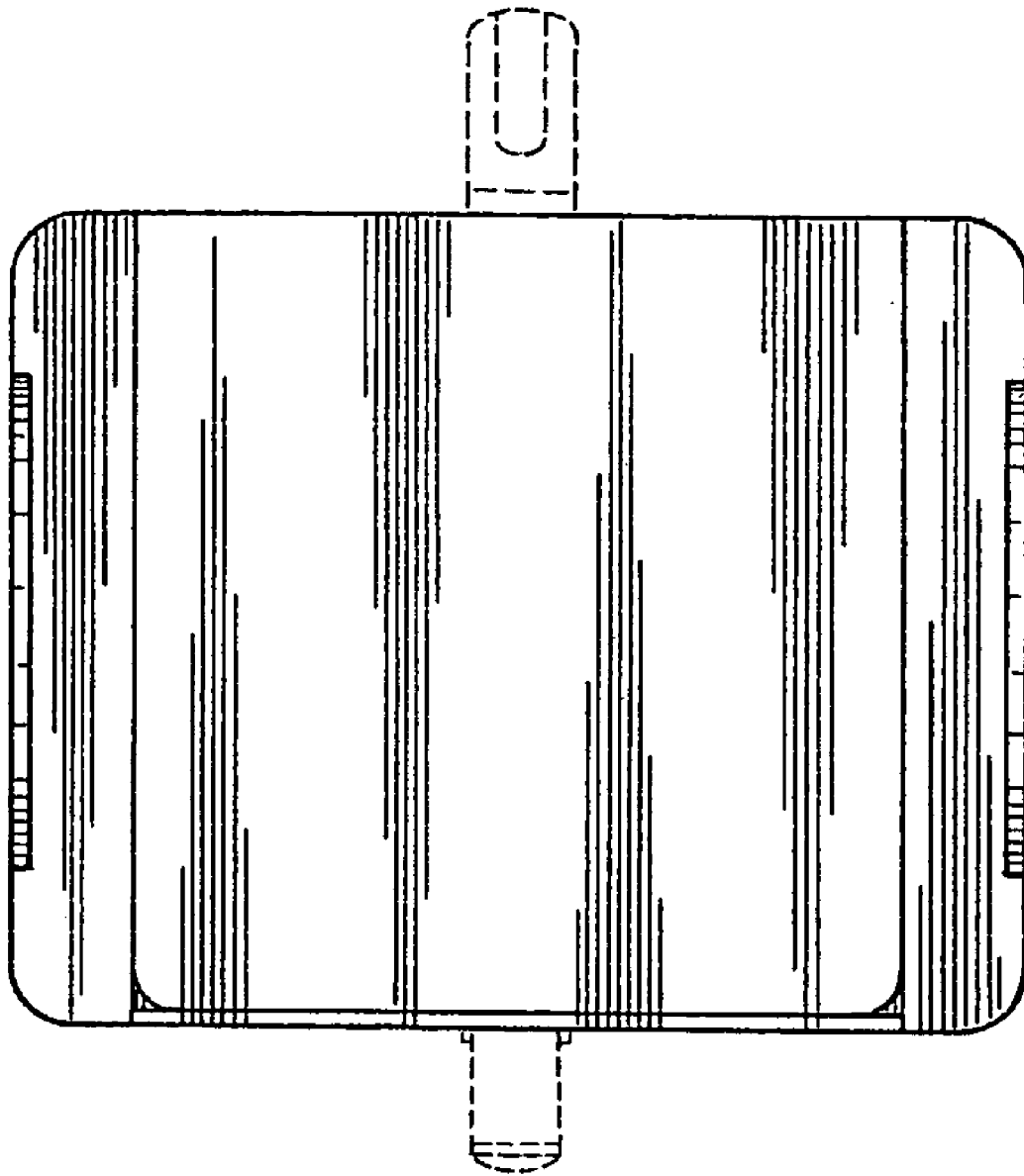


Fig. 7