



US00D883281S

(12) **United States Design Patent**
Seo

(10) **Patent No.:** **US D883,281 S**

(45) **Date of Patent:** **** May 5, 2020**

(54) **DISPLAY DEVICE**

(71) Applicant: **Samsung Display Co., Ltd.**, Yongin-si, Gyeonggi-do (KR)

(72) Inventor: **Young-Seok Seo**, Seoul (KR)

(73) Assignee: **Samsung Display Co., Ltd.**, Yongin-si (KR)

(**) Term: **15 Years**

(21) Appl. No.: **29/633,376**

(22) Filed: **Jan. 12, 2018**

(30) **Foreign Application Priority Data**

Jul. 28, 2017 (KR) 30-2017-0035046

(51) **LOC (12) Cl.** **14-02**

(52) **U.S. Cl.**
USPC **D14/375**

(58) **Field of Classification Search**
USPC D14/349, 351-355, 359, 440-441, 444, D14/446, 348, 371, 356-358, 363, 442,
(Continued)

(56) **References Cited**

U.S. PATENT DOCUMENTS

3,765,718 A * 10/1973 Chen A47C 4/52
297/17
D262,548 S * 1/1982 Delehant D21/365
(Continued)

FOREIGN PATENT DOCUMENTS

JP D1292874 * 2/2007 D7/141
JP D1413011 * 5/2011
(Continued)

OTHER PUBLICATIONS

Walnut Rectangular Stand, Kaguoka, kaguoka.com, author not listed, published on Mar. 15, 2011 per wayback machine © not

listed, online, site visited Sep. 7, 2019. Available from Internet, URL: http://kaguoka.com/works/table/walnut_rectangular_tyabudai.html (Year: 2011).*

(Continued)

Primary Examiner — Marissa J Cash

Assistant Examiner — Altaira J Swangin

(74) *Attorney, Agent, or Firm* — Lewis Roca Rothgerber Christie LLP

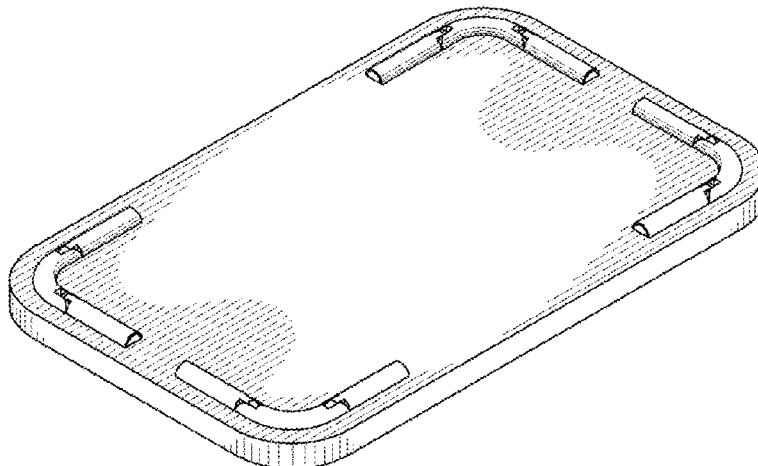
(57) **CLAIM**

The ornamental design for a display device, as shown and described.

DESCRIPTION

FIG. 1 is a front perspective view of the display device; FIG. 2 is a front view thereof; FIG. 3 is a rear view thereof; FIG. 4 is a left side view thereof, with the right side being a mirror image of the left side view; FIG. 5 is a top view thereof, with the bottom view being a mirror image of the top view; FIG. 6 is a rear perspective view thereof; FIG. 7 is a front perspective view of the display device, showing the design in a second alternate configuration with four pedestals in an unfolded and fully extended state; FIG. 8 is a rear perspective view of the display device, showing the design in the alternate configuration of FIG. 7; FIG. 9 is a front perspective view of the display device, showing the design in a third alternate configuration with two outer pedestals in a partially extended, unfolded state and the remaining pedestals in a folded state; FIG. 10 is a rear perspective view of the display device, showing the design in the third alternate configuration of FIG. 9; and, FIG. 11 is a front perspective view of the display device, showing the design in a fourth alternate configuration with two inner pedestals in a partially extended, unfolded state and the remaining pedestals in a folded state.

(Continued)



The broken lines depicting images on the rear surface of the display device in FIG. 10, illustrate environmental subject matter only and form no part of the claimed design.

1 Claim, 11 Drawing Sheets

(58) **Field of Classification Search**

USPC ... D14/478, 434-436, 375, 508, 114, 138 G,
 D14/140.5, 211, 227; D9/424-433;
 206/706-709, 722-725; D3/315-316;
 361/679.31; D13/107; 40/406, 427;
 D20/39, 41-42, 23, 27, 29; D24/137,
 D24/138, 160, 186; D10/6, 33, 54,
 D10/106.4, 119.4, 652, 667;
 D19/113-114; D21/334, 365; 345/173;
 248/177.1, 178.1, 181.2, 188.5, 166,
 248/188.6, 463, 472
 CPC G06F 1/20; G06F 1/181; G06F 3/0488;
 H05K 5/00; H05K 5/0213; H05K 5/03;
 H05K 1/144; H05K 5/0017; H05K
 5/0234; G02F 1/133611; G02F 1/133603;
 G02F 2001/133607; G02F 2001/133613;
 E04H 1/1272; E04H 1/1222; G09F 13/00;
 G09F 9/00; G09F 9/3023; G09F 9/3026
 See application file for complete search history.

(56) **References Cited**

U.S. PATENT DOCUMENTS

D402,696 S * 12/1998 Rosen D19/113
 6,257,536 B1 * 7/2001 Manuel G09F 7/06
 248/205.1
 D452,713 S * 1/2002 Badertscher D20/42
 D455,419 S * 4/2002 Inoue D14/230
 6,585,199 B1 * 7/2003 Yu F16M 11/28
 248/163.1
 D495,372 S * 8/2004 Oister D21/318
 6,843,183 B2 * 1/2005 Strong A47B 9/14
 108/147.19
 6,969,112 B1 * 11/2005 Sherrill A47C 4/20
 297/16.1
 D514,057 S * 1/2006 Borunda D12/426.1
 6,997,525 B2 * 2/2006 Gillengerten A47B 81/06
 312/21
 D517,536 S * 3/2006 Wang D14/230
 D551,717 S * 9/2007 Diller D20/42
 D596,177 S * 7/2009 Steele D14/358
 7,862,409 B1 * 1/2011 Sheppard A22C 17/0033
 452/198
 8,065,965 B2 * 11/2011 Pearson A47B 3/08
 108/132
 8,499,370 B1 * 8/2013 Felicetta A47K 11/04
 4/476
 8,599,570 B2 * 12/2013 Ke F16M 13/005
 248/371

8,767,392 B2 * 7/2014 Wang G06F 1/1686
 248/187.1
 D727,900 S 4/2015 Lee et al.
 D727,923 S 4/2015 Yum et al.
 D729,798 S 5/2015 Hwangbo et al.
 D730,353 S 5/2015 Hwangbo et al.
 D730,896 S 6/2015 Hwangbo et al.
 D730,897 S 6/2015 Hwangbo et al.
 D730,898 S 6/2015 Hwangbo et al.
 D732,030 S 6/2015 Hwangbo et al.
 D732,031 S 6/2015 Hwangbo et al.
 D734,282 S 7/2015 Shin et al.
 D745,518 S 12/2015 Cho et al.
 D745,519 S 12/2015 Cho et al.
 D809,491 S * 2/2018 Tinaphong D14/230
 D855,603 S * 8/2019 Kim D14/250
 D855,605 S * 8/2019 Kim D14/250
 D856,322 S * 8/2019 Huebner D14/341
 D858,501 S * 9/2019 Jung D14/250
 2002/0020655 A1 * 2/2002 McKsymick A47B 21/00
 206/738
 2005/0053256 A1 * 3/2005 Albert H04R 5/023
 381/388
 2005/0218978 A1 * 10/2005 Liu H05K 5/0234
 330/114
 2009/0101771 A1 * 4/2009 Tang F16M 11/32
 248/177.1
 2010/0200710 A1 * 8/2010 Shenouda F16M 11/28
 248/157
 2012/0187259 A1 * 7/2012 Cheng F16M 11/10
 248/188.6
 2014/0283715 A1 * 9/2014 Sevadjian A47B 9/14
 108/147.21
 2015/0301566 A1 * 10/2015 Santiago G06F 1/203
 248/396
 2015/0327739 A1 * 11/2015 Edwards A47K 17/02
 4/254
 2016/0256758 A1 * 9/2016 Riniti A63B 67/06
 2017/0023292 A1 * 1/2017 Marinelli F25D 3/08
 2017/0133764 A1 * 5/2017 Tinaphong H01Q 1/2291
 2017/0292549 A1 * 10/2017 Del Missier F16B 1/00
 2018/0124230 A1 * 5/2018 Muthukumar H04M 1/0202
 2018/0184531 A1 * 6/2018 Seo G06F 3/044
 2019/0069429 A1 * 2/2019 Lu H05K 7/1417
 2019/0167021 A1 * 6/2019 Jones A47G 19/26

FOREIGN PATENT DOCUMENTS

JP D1510964 * 11/2014
 JP D1498066 * 5/2015
 KR 10-1164483 7/2012
 KR 30-0834159 S 1/2016
 KR 30-0850181 S 4/2016
 KR 10-2016-0067588 A 6/2016

OTHER PUBLICATIONS

Mobile Stand, Jalaka, jalaka.com, author not listed, published on Feb. 20, 2016 per wayback machine © 2019, online, site visited Sep. 6, 2019. Available from Internet, URL: <https://www.jalaka.com/products/jalaka-dual> (Year: 2016).*

* cited by examiner

FIG. 1

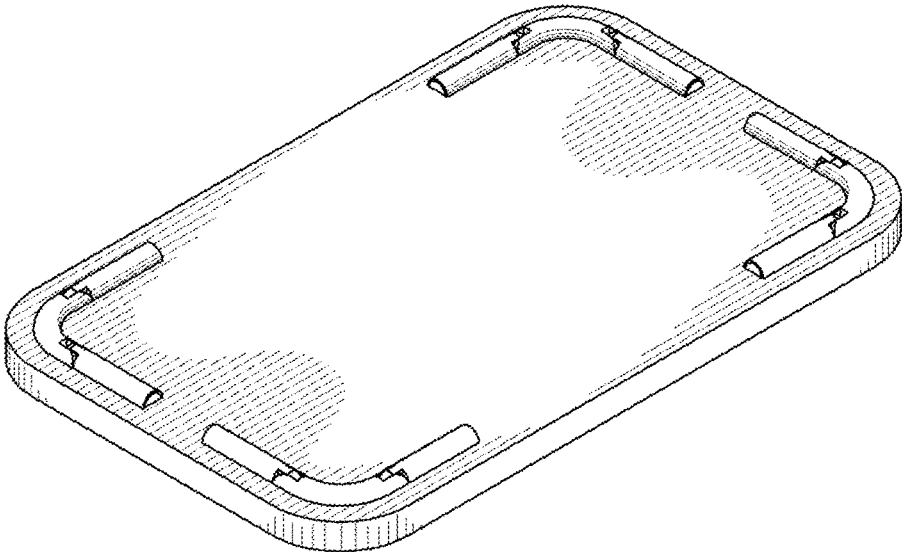


FIG. 2

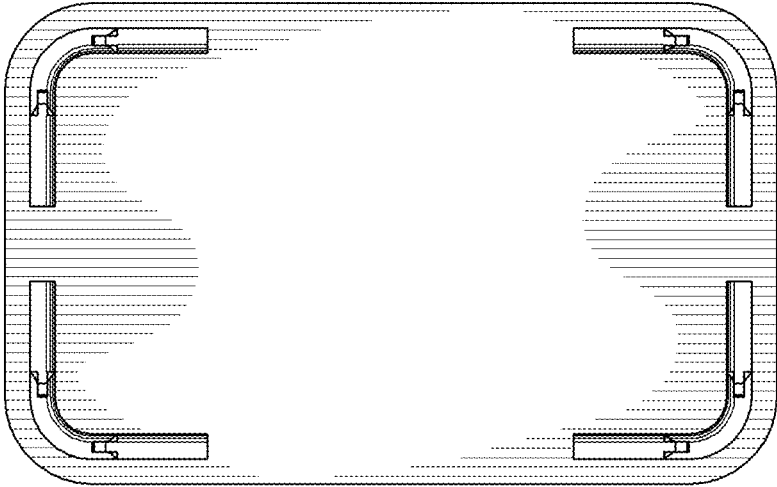


FIG. 3

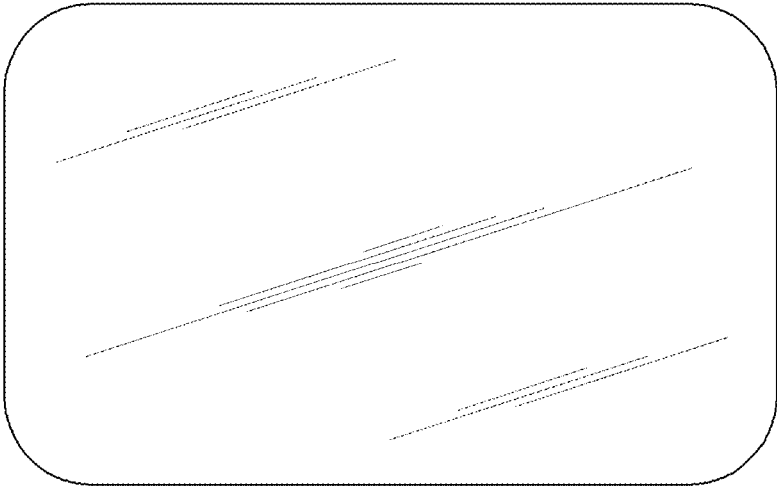


FIG. 4

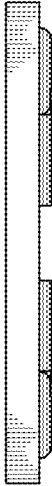


FIG. 5

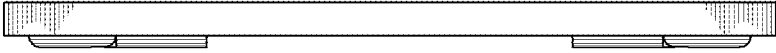


FIG. 6

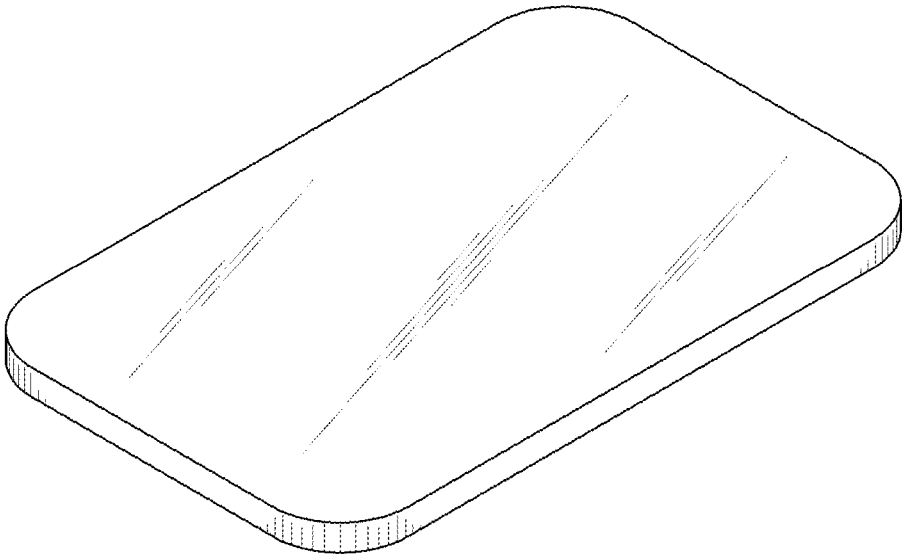


FIG. 7

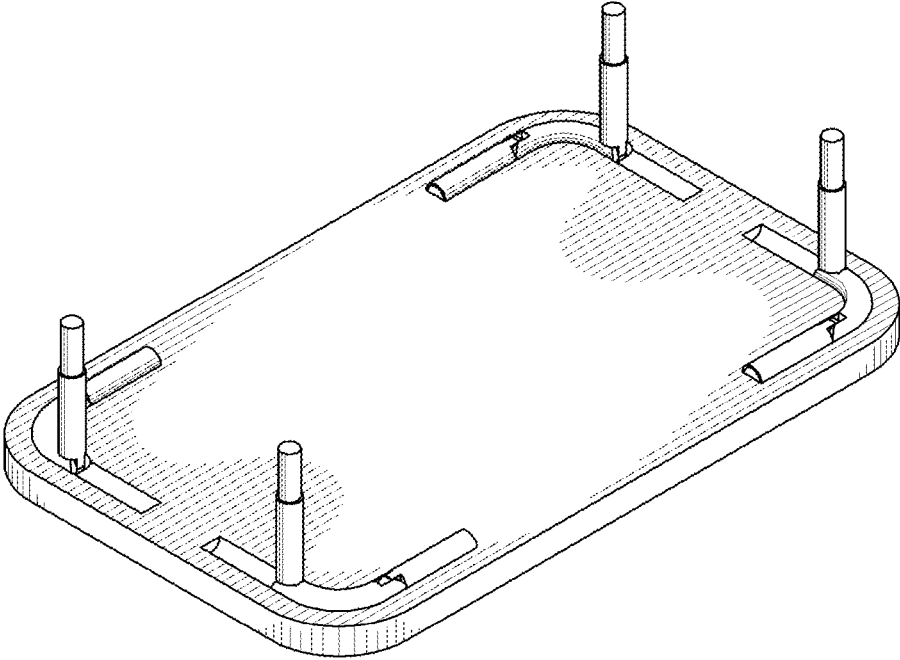


FIG. 8

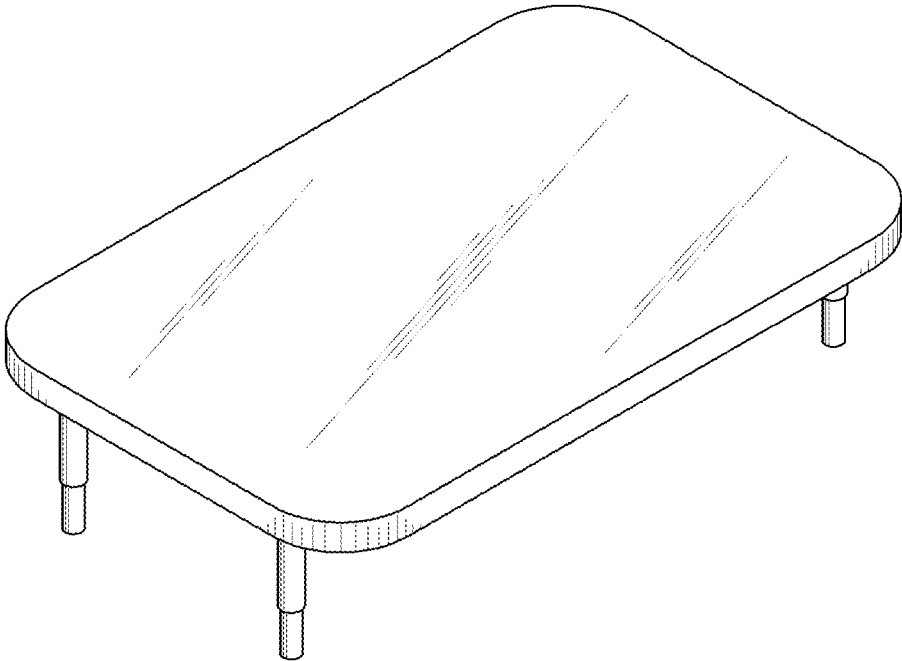


FIG. 9

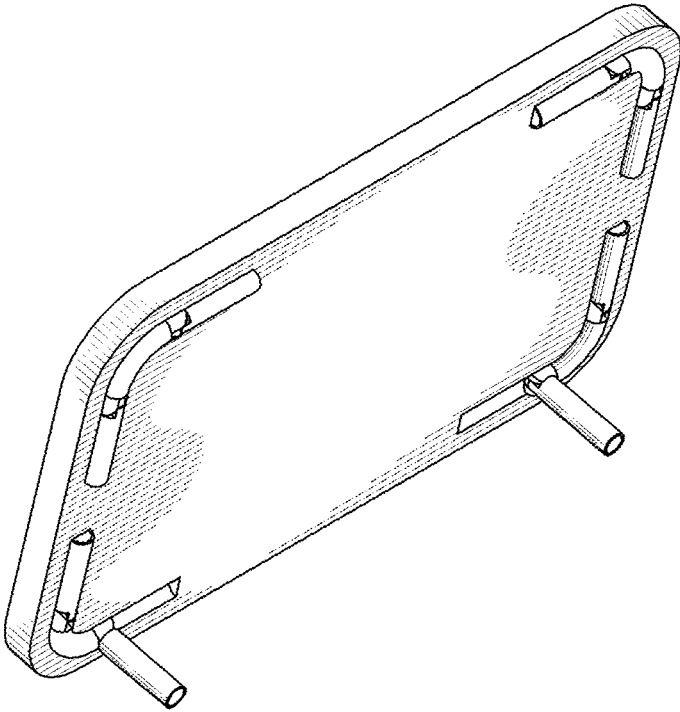


FIG. 10

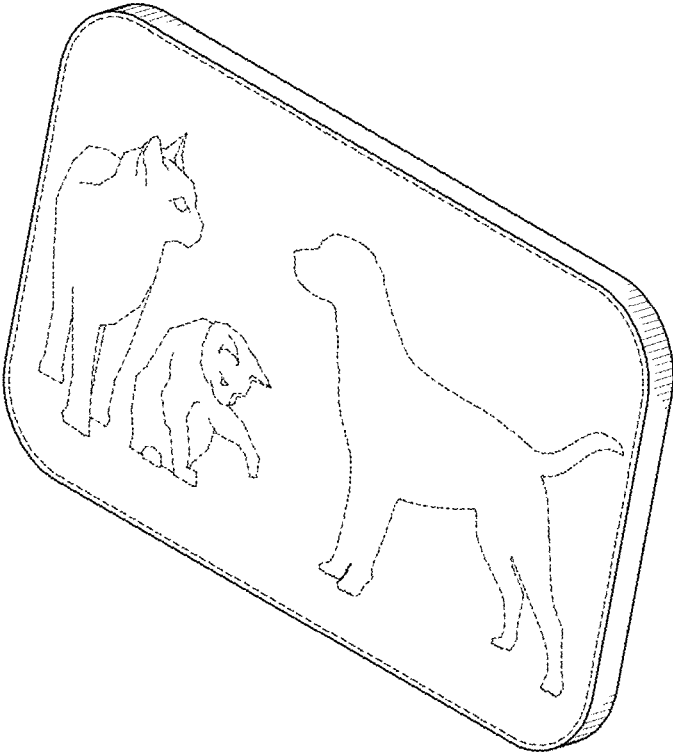


FIG. 11

