



US00D709355S

(12) **United States Design Patent**
Berger et al.

(10) **Patent No.:** **US D709,355 S**

(45) **Date of Patent:** **** Jul. 22, 2014**

(54) **CORD TANGLE PREVENTION DEVICE**

(71) Applicants: **Joseph Daniel Berger**, Philadelphia, PA
(US); **John Forrest Paulick**,
Philadelphia, PA (US)

(72) Inventors: **Joseph Daniel Berger**, Philadelphia, PA
(US); **John Forrest Paulick**,
Philadelphia, PA (US)

(**) Term: **14 Years**

(21) Appl. No.: **29/468,116**

(22) Filed: **Sep. 26, 2013**

(51) **LOC (10) Cl.** **08-05**

(52) **U.S. Cl.** **D8/356**
USPC

(58) **Field of Classification Search**
USPC D8/356, 354, 367, 349, 383; 439/501;
16/2.1, 2.2, 2.5, 108; 52/301; 174/65 G,
174/65 R, 65 SS, 151, 152 G, 153 G;
211/70.6; 248/56, 309.1, 310, 311.2,
248/15, 182, 339

See application file for complete search history.

(56) **References Cited**

U.S. PATENT DOCUMENTS

D340,226 S *	10/1993	Sachs	D13/154
D408,269 S *	4/1999	Ross	D8/356
D411,950 S *	7/1999	Dinh et al.	D8/356
D459,194 S *	6/2002	Johansson et al.	D8/356
D470,034 S *	2/2003	Wu et al.	D8/356
D473,448 S *	4/2003	Wu et al.	D8/356
D477,770 S *	7/2003	Baker et al.	D8/373
D487,536 S *	3/2004	Ågren	D32/31
D488,372 S *	4/2004	Gambrell	D8/356
D497,305 S *	10/2004	Perri et al.	D8/356
D497,793 S *	11/2004	Votypka	D8/356

D512,904 S *	12/2005	Thaler	D8/356
7,249,728 B2 *	7/2007	Williamson	242/566
D576,406 S *	9/2008	Chan	D3/318
7,470,143 B2 *	12/2008	Osborn et al.	439/441
D605,032 S *	12/2009	Bushey	D8/402
D625,986 S *	10/2010	Kolasa	D8/356
D628,465 S *	12/2010	Hernandez	D8/356
D629,671 S *	12/2010	Ohuri et al.	D8/356
D630,495 S *	1/2011	Allina et al.	D8/356
D646,555 S *	10/2011	Galle	D8/356
D646,557 S *	10/2011	Chan	D8/367
D647,389 S *	10/2011	Gracia	D8/367
D661,570 S *	6/2012	Fox	D8/356
D671,392 S *	11/2012	Von Euler	D8/356
D674,380 S *	1/2013	Soekoro	D14/250

* cited by examiner

Primary Examiner — Cynthia Underwood

(57) **CLAIM**

We claim the ornamental design for a cord tangle prevention device, as shown and described.

DESCRIPTION

FIG. 1 is a front perspective view of a cord tangle prevention device according to a first embodiment of the present invention.

FIG. 2 is a front view of the cord tangle prevention device of FIG. 1.

FIG. 3 is a rear view of the cord tangle prevention device of FIG. 1.

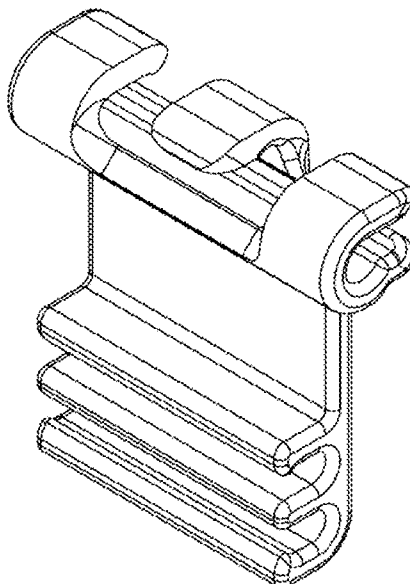
FIG. 4 is a right-side view of the cord tangle prevention device of FIG. 1.

FIG. 5 is a left-side view of the cord tangle prevention device of FIG. 1.

FIG. 6 is a bottom view of the cord tangle prevention device of FIG. 1; and,

FIG. 7 is a top view of the cord tangle prevention device of FIG. 1.

1 Claim, 4 Drawing Sheets



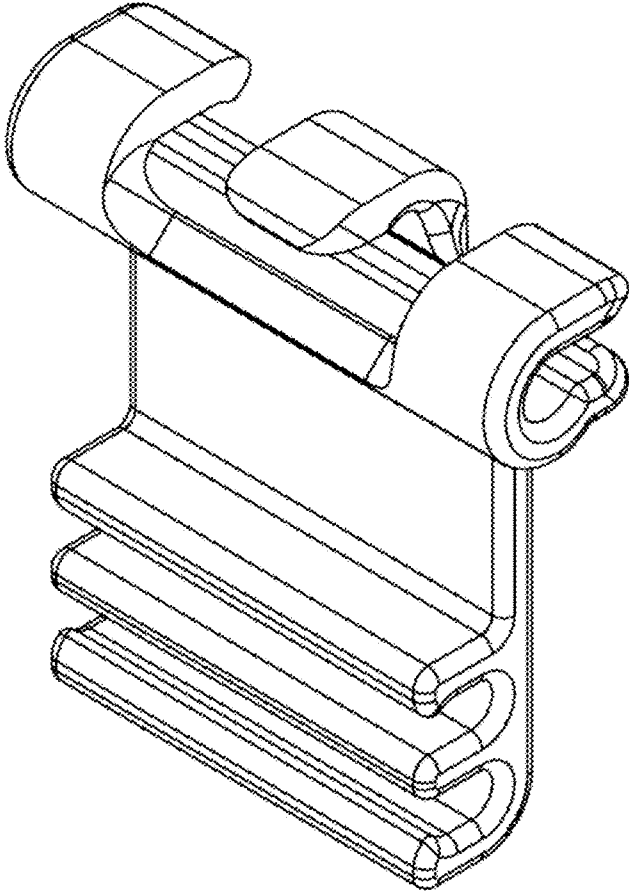


FIG. 1

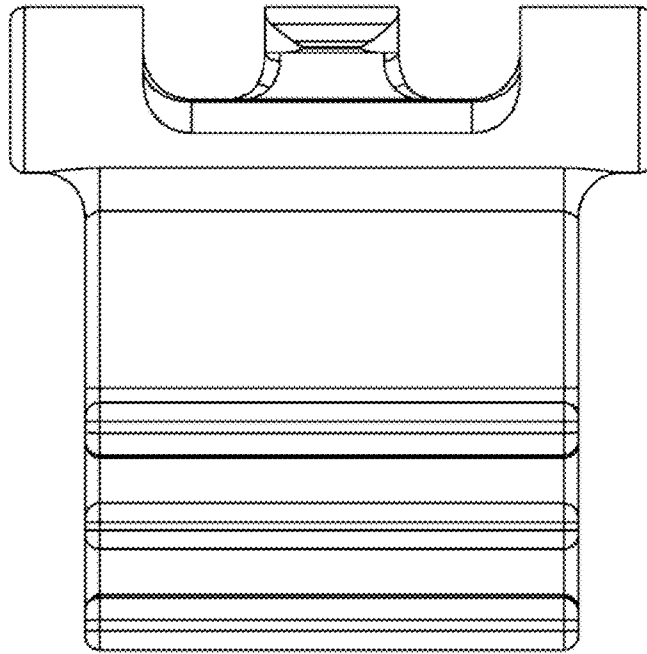


FIG. 2

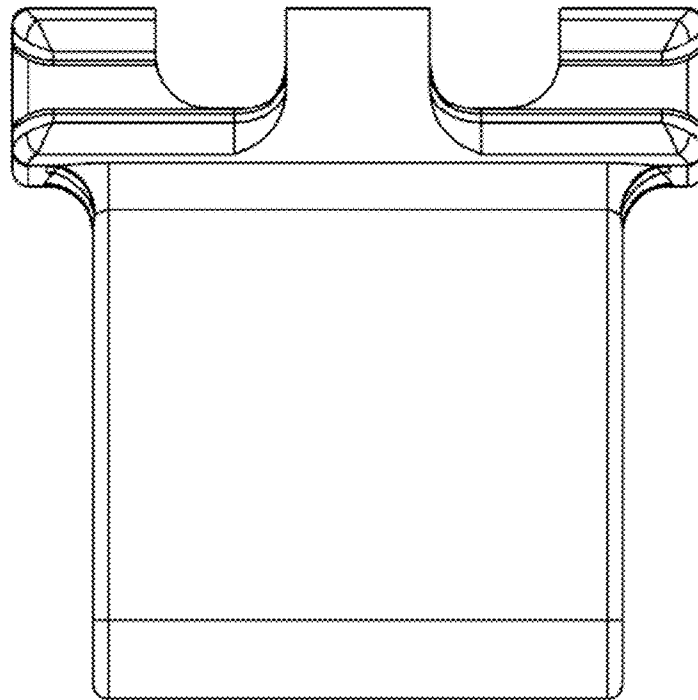


FIG. 3

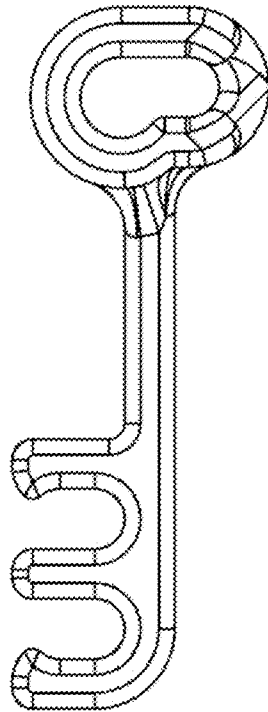


FIG. 4

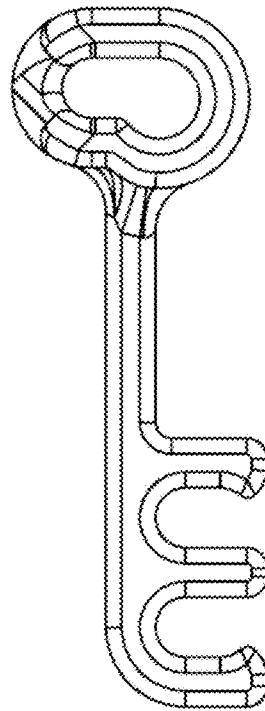


FIG. 5

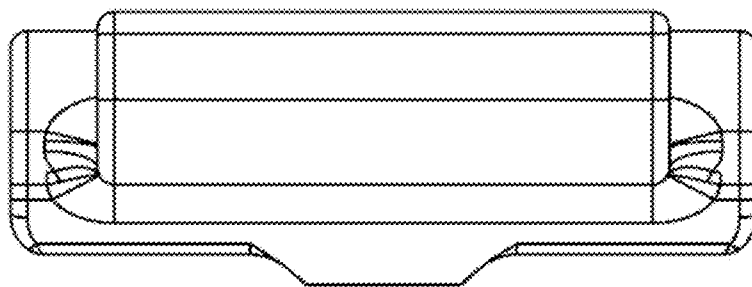


FIG. 6

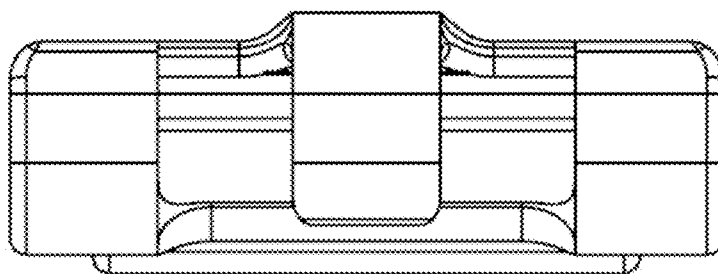


FIG. 7