



US00D856462S

(12) **United States Design Patent**  
**Wilson**

(10) **Patent No.:** **US D856,462 S**

(45) **Date of Patent:** **\*\* Aug. 13, 2019**

- (54) **TARGET**
- (71) Applicant: **Wilson's Gun Shop, Inc**, Berryville, AR (US)
- (72) Inventor: **Billy James Wilson**, Berryville, AR (US)
- (73) Assignee: **Wilson's Gun Shop, Inc**, Berryville, AR (US)
- (\*\*) Term: **15 Years**
- (21) Appl. No.: **29/604,043**
- (22) Filed: **May 15, 2017**
- (51) **LOC (12) Cl.** ..... **22-04**
- (52) **U.S. Cl.**  
USPC ..... **D22/113**
- (58) **Field of Classification Search**  
USPC ..... D22/108-110, 113-114, 199; D21/302, D21/306, 307, 570, 573-575; D20/31, 41  
CPC . F41J 1/00; F41J 1/02; F41J 5/00; F41J 5/12; F41J 5/14; F41J 5/16; F41J 7/02  
See application file for complete search history.

- 5,676,378 A \* 10/1997 West ..... F41J 1/10 273/390
  - D500,788 S \* 1/2005 Kaplan ..... D19/1
  - D523,485 S \* 6/2006 Massengale ..... D20/31
  - D625,759 S \* 10/2010 Miller ..... D20/31
  - 7,815,192 B1 \* 10/2010 Kreiman ..... F41J 9/02 273/390
  - D629,862 S \* 12/2010 Kreiman ..... D22/113
  - D650,444 S \* 12/2011 Farver ..... D20/31
- (Continued)

**OTHER PUBLICATIONS**

AR500 Shooting Targets, posted at Spartan Armor Systems, review posted Feb. 13, 2017. Site visited Mar. 11, 2019. URL: <<https://www.spartanarmorsystems.com/diy-triple-tap/>> (Year: 2017).\*

Miles, Plinker Dual Strike Pneumatic Targets, posted at The Firearm Blog, posting date Feb. 22, 2017. Site visited Mar. 11, 2019. URL: <<https://www.thefirearmblog.com/blog/2017/02/22/plinker-dual-strike-pneumatic-targets/>> (Year: 2017).\*

(Continued)

*Primary Examiner* — Kevin K Rudzinski  
*Assistant Examiner* — Kathleen L Jones

(57) **CLAIM**

I claim ornamental design for a target, as shown and described.

(56) **References Cited**

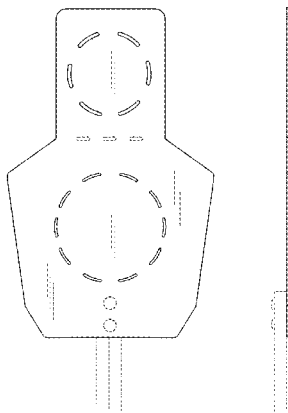
**U.S. PATENT DOCUMENTS**

- D127,809 S \* 6/1941 Meehan ..... D20/31
- 2,587,042 A \* 2/1952 Haiselup ..... A63F 9/0204 273/127 R
- D214,896 S \* 8/1969 D'Agostino ..... 273/348
- 4,052,058 A \* 10/1977 Hintz ..... A63F 9/0204 273/446
- D283,148 S \* 3/1986 Coyne ..... D20/31
- D316,571 S \* 4/1991 Romero-Comas ..... D20/29
- D329,665 S \* 9/1992 Carroll ..... D21/306
- D343,585 S \* 1/1994 Strong ..... D10/109.1
- 5,277,432 A \* 1/1994 Bateman ..... F41J 1/10 273/407
- 5,527,032 A \* 6/1996 Coleman ..... A63B 63/00 273/410
- 5,669,610 A \* 9/1997 Salyers ..... F41J 1/00 273/403

**DESCRIPTION**

FIG. 1 is a perspective view of a target according to the present invention;  
FIG. 2 is a front view of the target of FIG. 1;  
FIG. 3 is a rear view of the target of FIG. 1;  
FIG. 4 is a right-side view of the target of FIG. 1;  
FIG. 5 is a left-side view of the target of FIG. 1;  
FIG. 6 is a top view of the target of FIG. 1; and,  
FIG. 7 is a bottom view of the target of FIG. 1.  
The broken line showing is included for the purpose of illustrating portions of the target that form no part of the claimed design.

**1 Claim, 5 Drawing Sheets**



(56)

**References Cited**

U.S. PATENT DOCUMENTS

D686,668	S *	7/2013	Hodges	.....	D20/31
8,534,672	B2 *	9/2013	Brune	.....	F41J 7/04
					273/369
D712,003	S *	8/2014	Bailey	.....	D22/113
D817,407	S *	5/2018	Melo	.....	D21/302
2013/0106059	A1 *	5/2013	Larue	.....	F41J 1/10
					273/407
2015/0362289	A1 *	12/2015	Spear	.....	F41J 5/12
					434/23
2016/0076859	A1 *	3/2016	Chester	.....	F41J 5/14
					273/386
2018/0321018	A1 *	11/2018	Wilson	.....	F41J 1/01
2019/0041172	A1 *	2/2019	Kerley	.....	F41J 5/14
2019/0063884	A1 *	2/2019	McBride	.....	F41J 5/10

OTHER PUBLICATIONS

TFB Staffer, New Tactical Steel Target From Custom Metal Targets, posting date Aug. 11, 2015. Site visited Mar. 11, 2019. URL: <<https://www.thefirearmblog.com/blog/2015/08/11/new-tactical-steel-target-custom-metal-targets/>> (Year: 2015).\*

White, Phil, Renaissance Steel Research (RSR) Ready Ship Target (RST), posted at The Firearm Blog, posting date Mar. 7, 2016. URL: <<https://www.thefirearmblog.com/blog/2016/03/07/rsr-co-ready-ship-target-rst/>> (Year: 2016).\*

Scepaniak, Adam, Champion Expands their “Visicolor” Splatter Targets, posted at The Firearm Blog, posting date May 12, 2017. Site visited Mar. 11, 2019. URL: <<https://www.thefirearmblog.com/blog/2017/05/12/champion-expands-splatter-targets-hunting-training-options/>> (Year: 2017).\*

\* cited by examiner

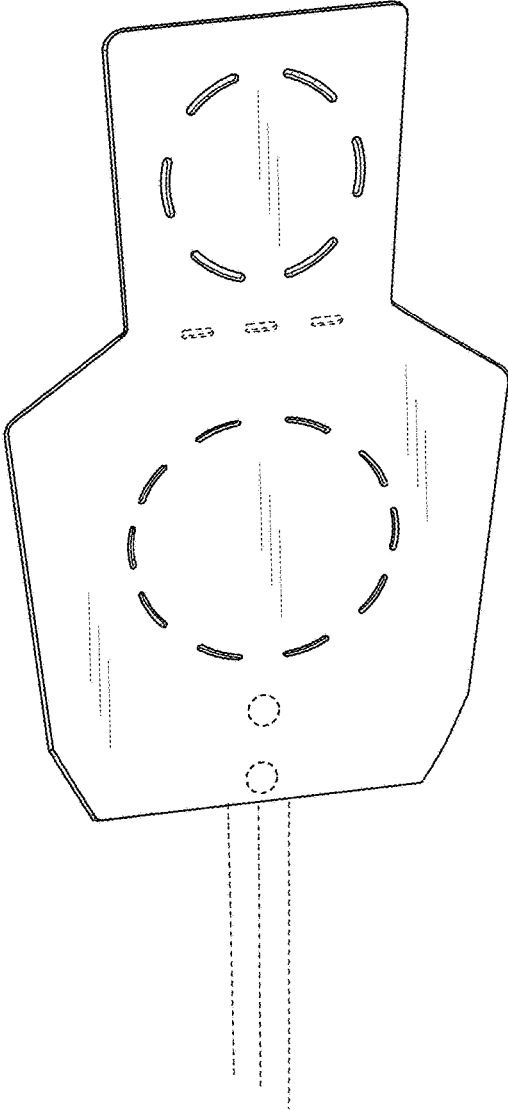


FIG. 1

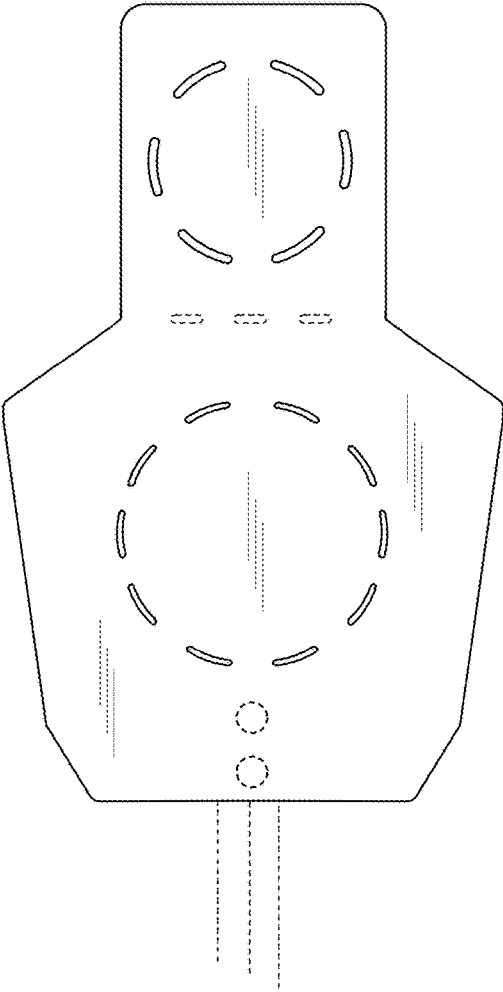


FIG. 2

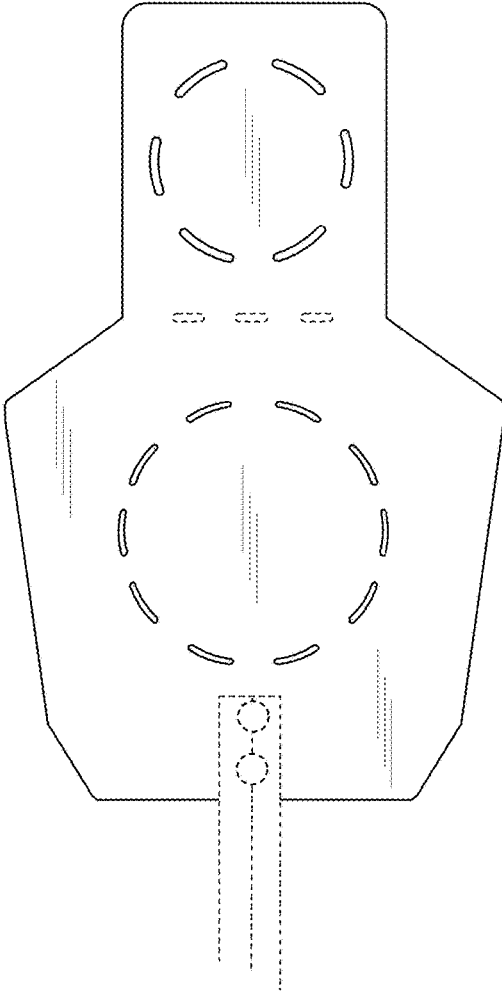


FIG. 3



FIG. 4



FIG. 5

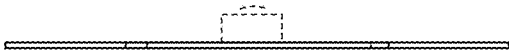


FIG. 6

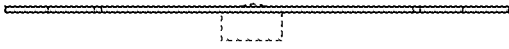


FIG. 7