



US00D415111S

United States Patent [19]

[11] Patent Number: **Des. 415,111**

Lee

[45] Date of Patent: **** Oct. 12, 1999**

[54] **CONNECTOR HOOD FOR ELECTRICAL CABLE**

[57] **CLAIM**

[75] Inventor: **Kendrew Lee**, San Jose, Calif.

The ornamental design for a connector hood for electrical cable, as shown and described.

[73] Assignee: **Monster Cable Products, Inc.**, Brisbane, Calif.

DESCRIPTION

[**] Term: **14 Years**

A portion of the disclosure of this patent document contains material to which a claim for copyright is made. The copyright owner has no objection to the facsimile reproduction by anyone of the patent document or the patent disclosure, as it appears in the Patent and Trademark Office patent file or records, but reserves all other copyright rights whatsoever.

[21] Appl. No.: **29/081,439**

[22] Filed: **Jan. 2, 1998**

[51] **LOC (6) Cl.** **13-03**

[52] **U.S. Cl.** **D13/154; D13/147**

[58] **Field of Search** D13/133, 146, D13/147, 154; 439/447, 582, 694, 884

FIG. 1 is a perspective view of the connector hood for electrical cable according to the present invention.

FIG. 2 is a right side view of the connector hood for electrical cable shown in FIG. 1.

FIG. 3 is a left side view of the connector hood for electrical cable shown in FIG. 1.

FIG. 4 is a bottom view of the connector hood for electrical cable shown in FIG. 1.

FIG. 5 is a top view of the connector hood for electrical cable shown in FIG. 1.

FIG. 6 is a rear view of the connector hood for electrical cable shown in FIG. 1.

FIG. 7 is a front view of the connector hood for electrical cable shown in FIG. 1.

The broken line showing throughout the drawing figures is included for the purpose of illustrating environmental structure only and forms no part of the claimed design.

[56] References Cited

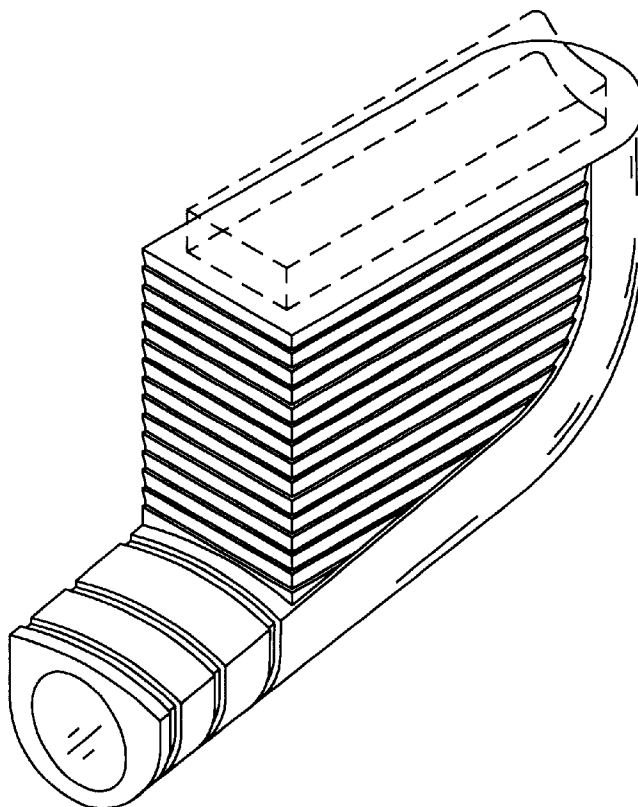
U.S. PATENT DOCUMENTS

D. 349,099	7/1994	Robertson, Jr. et al.	D13/147
D. 366,646	1/1996	Carr	D13/146
3,764,957	10/1973	Iversen	439/362
4,002,389	1/1977	Mammel	439/352
4,186,983	2/1980	Kaye	439/350
4,408,819	10/1983	Guelden	439/638
4,415,219	11/1983	Kuhl et al.	439/694
4,838,808	6/1989	Fujiura	439/357

Primary Examiner—Joel Sincavage

Attorney, Agent, or Firm—LaRiviere, Grubman & Payne, LLP

1 Claim, 2 Drawing Sheets



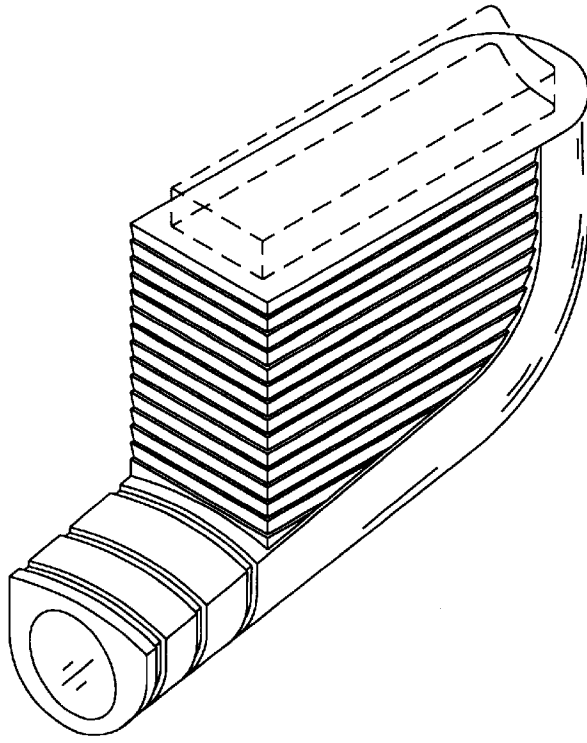


FIG. 1

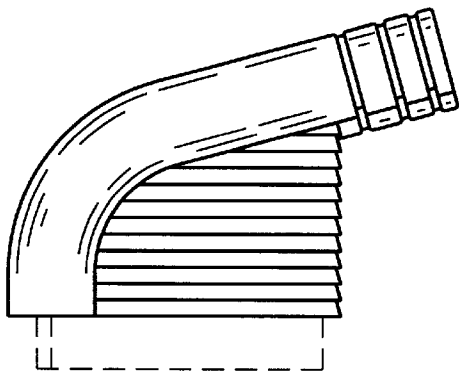


FIG. 2

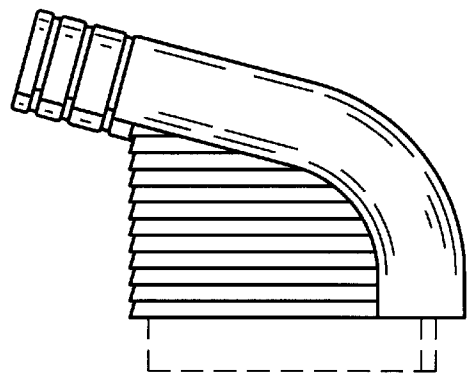


FIG. 3

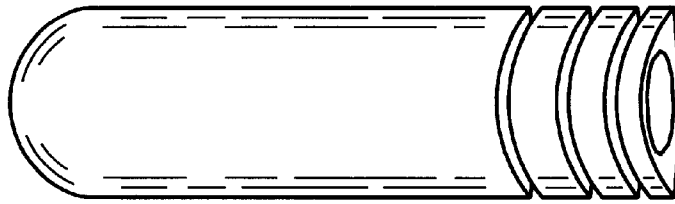


FIG. 4

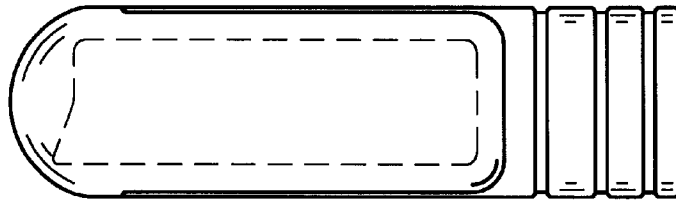


FIG. 5

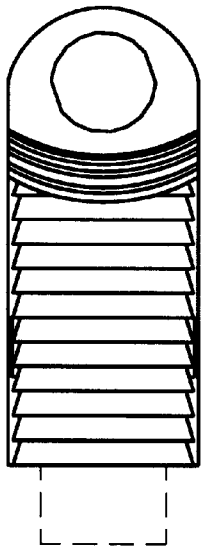


FIG. 6

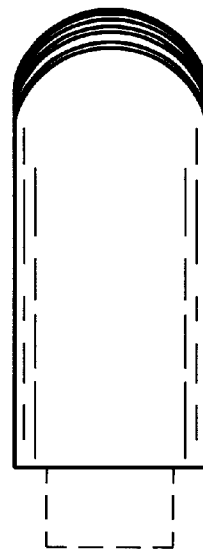


FIG. 7