



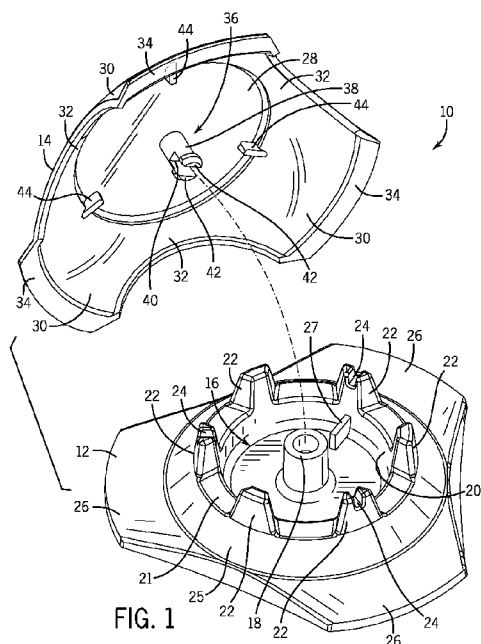
- (51) International Patent Classification:
A01M 1/02 (2006.01) A01M 1/14 (2006.01)
- (21) International Application Number:
PCT/US2011/051583
- (22) International Filing Date:
14 September 2011 (14.09.2011)
- (25) Filing Language: English
- (26) Publication Language: English
- (30) Priority Data:
12/887,999 22 September 2010 (22.09.2010) US
- (71) Applicant (for all designated States except US): **DE SAN-GOSSE U.S., INC.** [US/US]; 103 Foulk Road, Suite 205-23, Wilmington, DE 19803 (US).
- (72) Inventor; and
- (75) Inventor/Applicant (for US only): **PRYOR, Alan, E.** [US/US]; 1070 Huron Way, Hartford, WI 53027 (US).
- (74) Agents: **MILLER, Leslie, S.** et al.; Reinhart Boerner Van Deuren S.C., Attn: Linda Kasulke, Docket Clerk, 1000 North Water Street, Suite 1700, Milwaukee, WI 53202 (US).

- (81) Designated States (unless otherwise indicated, for every kind of national protection available): AE, AG, AL, AM, AO, AT, AU, AZ, BA, BB, BG, BH, BR, BW, BY, BZ, CA, CH, CL, CN, CO, CR, CU, CZ, DE, DK, DM, DO, DZ, EC, EE, EG, ES, FI, GB, GD, GE, GH, GM, GT, HN, HR, HU, ID, IL, IN, IS, JP, KE, KG, KM, KN, KP, KR, KZ, LA, LC, LK, LR, LS, LT, LU, LY, MA, MD, ME, MG, MK, MN, MW, MX, MY, MZ, NA, NG, NI, NO, NZ, OM, PE, PG, PH, PL, PT, QA, RO, RS, RU, RW, SC, SD, SE, SG, SK, SL, SM, ST, SV, SY, TH, TJ, TM, TN, TR, TT, TZ, UA, UG, US, UZ, VC, VN, ZA, ZM, ZW.
- (84) Designated States (unless otherwise indicated, for every kind of regional protection available): ARIPO (BW, GH, GM, KE, LR, LS, MW, MZ, NA, SD, SL, SZ, TZ, UG, ZM, ZW), Eurasian (AM, AZ, BY, KG, KZ, MD, RU, TJ, TM), European (AL, AT, BE, BG, CH, CY, CZ, DE, DK, EE, ES, FI, FR, GB, GR, HR, HU, IE, IS, IT, LT, LU, LV, MC, MK, MT, NL, NO, PL, PT, RO, RS, SE, SI, SK, SM, TR), OAPI (BF, BJ, CF, CG, CI, CM, GA, GN, GQ, GW, ML, MR, NE, SN, TD, TG).

Published:
— with international search report (Art. 21(3))

[Continued on next page]

(54) Title: BAIT STATION



(57) Abstract: A bait station for use in terminating pests is provided. The bait station preferably includes a top member and a bottom member. The bottom member includes a bait reservoir to be filled with bait. Upon filling, the bottom member and the top member are coupled together by interaction of connecting portions of each to irremovably attach the top member to the bottom member. The connection between the top member and bottom member is preferably childproof.



— *before the expiration of the time limit for amending the claims and to be republished in the event of receipt of amendments (Rule 48.2(h))*

(88) Date of publication of the international search report:
31 May 2012

A. CLASSIFICATION OF SUBJECT MATTER*A01M 1/02(2006.01)i, A01M 1/14(2006.01)i*

According to International Patent Classification (IPC) or to both national classification and IPC

B. FIELDS SEARCHED

Minimum documentation searched (classification system followed by classification symbols)

A01M 1/02; A01M 1/20; A01M 25/00

Documentation searched other than minimum documentation to the extent that such documents are included in the fields searched

Korean utility models and applications for utility models

Japanese utility models and applications for utility models

Electronic data base consulted during the international search (name of data base and, where practicable, search terms used)

eKOMPASS(KIPO internal) & Keywords: bait station, reservoir, projection

C. DOCUMENTS CONSIDERED TO BE RELEVANT

Category*	Citation of document, with indication, where appropriate, of the relevant passages	Relevant to claim No.
A	US 6553712 B1 (MAJEROWSKI; AMELIA H. et al.) 29 April 2003 See abstract; column 3 line 10-column 9 line 14; figures 1-11; claim 1	1-14
A	US 2008-0104882 A1 (BERNARD ALAN S. et al.) 08 May 2008 See abstract; paragraphs [0044]-[0049]; figures 1-12; claim 1	1-14
A	WO 92-06595 A1 (S.C. JOHNSON & SON, INC.) 30 April 1992 See abstract; page 3 line 21-page 5 line 36; figures 1-7; claim 1	1-14
A	US 05033229 A (DEMAREST; SCOTT W. et al.) 23 July 1991 See abstract; column 2 line 42-column 3 line 58; figures 1-7; claim 1	1-14

 Further documents are listed in the continuation of Box C. See patent family annex.

* Special categories of cited documents:

"A" document defining the general state of the art which is not considered to be of particular relevance

"E" earlier application or patent but published on or after the international filing date

"L" document which may throw doubts on priority claim(s) or which is cited to establish the publication date of citation or other special reason (as specified)

"O" document referring to an oral disclosure, use, exhibition or other means

"P" document published prior to the international filing date but later than the priority date claimed

"T" later document published after the international filing date or priority date and not in conflict with the application but cited to understand the principle or theory underlying the invention

"X" document of particular relevance; the claimed invention cannot be considered novel or cannot be considered to involve an inventive step when the document is taken alone

"Y" document of particular relevance; the claimed invention cannot be considered to involve an inventive step when the document is combined with one or more other such documents, such combination being obvious to a person skilled in the art

"&" document member of the same patent family

Date of the actual completion of the international search

09 APRIL 2012 (09.04.2012)

Date of mailing of the international search report

10 APRIL 2012 (10.04.2012)

Name and mailing address of the ISA/KR

Korean Intellectual Property Office
Government Complex-Daejeon, 189 Cheongsa-ro,
Seo-gu, Daejeon 302-701, Republic of Korea

Facsimile No. 82-42-472-7140

Authorized officer

PARK, ROH CHOON

Telephone No. 82-42-481-8413



INTERNATIONAL SEARCH REPORT

Information on patent family members

International application No.

PCT/US2011/051583

Patent document cited in search report	Publication date	Patent family member(s)	Publication date
US 6553712 B1	29.04.2003	AU 2000-59041 A1	22.01.2001
		AU 2000-59041 B2	29.05.2003
		CA 2373746 A1	11.01.2001
		CA 2373746 C	29.08.2006
		CN 1166288 C0	15.09.2004
		CN 1367645 A0	04.09.2002
		EP 1191842 A1	03.04.2002
		EP 1191842 B1	08.01.2003
		JP 2003-503077 A	28.01.2003
		KR 10-0443187 B1	04.08.2004
		WO 01-01770 A1	11.01.2001
US 2008-0104882 A1	08.05.2008	US 2005-0072040 A1	07.04.2005
		US 2005-0198893 A1	15.09.2005
		US 2008-0307695 A1	18.12.2008
		US 6871444 B1	29.03.2005
		US 7310908 B2	25.12.2007
		US 7937886 B2	10.05.2011
		WO 92-06595 A1	30.04.1992
AU 646104 B2	10.02.1994		
AU 8753891 A	20.05.1992		
CA 2093795 A1	11.04.1992		
CA 2093795 C	01.08.1995		
DE 69119599 D1	20.06.1996		
DE 69119599 T2	12.09.1996		
DK 0552248 T3	14.10.1996		
EP 0552248 A1	28.07.1993		
EP 0552248 A4	10.11.1993		
EP 0552248 B1	15.05.1996		
ES 2087310 T3	16.07.1996		
GR 3019918 T3	31.08.1996		
JP 6502073 T	10.03.1994		
KR 97-0009907 B1	19.06.1997		
NZ 240098 A	25.11.1993		
PT 8941 T	31.05.1994		
PT 8941 Y	31.07.1997		
PT 99200 A	28.02.1994		
US 05033229 A	23.07.1991		
US 05033229 A	23.07.1991	EP 0552248 A1	28.07.1993
		EP 0552248 B1	15.05.1996
		KR 10-1997-0009907 B1	19.06.1997
		WO 92-06595 A1	30.04.1992