



US00D619896S

(12) **United States Design Patent**
Iwazu et al.

(10) **Patent No.:** **US D619,896 S**

(45) **Date of Patent:** **** *Jul. 20, 2010**

(54) **COSMETIC CONTAINER**

(75) Inventors: **Tomotaka Iwazu**, Kobe (JP); **Akiko Ashiwa**, Singapore (SG); **Ian Andrew Carnduff**, New York, NY (US); **Akina Kurihara**, Brooklyn, NY (US)

(73) Assignee: **The Procter & Gamble Company**, Cincinnati, OH (US)

(**) Term: **14 Years**

(21) Appl. No.: **29/341,757**

(22) Filed: **Aug. 12, 2009**

(51) **LOC (9) Cl.** **09-01**

(52) **U.S. Cl.** **D9/504**; D9/454

(58) **Field of Classification Search** D9/500,
D9/502-505, 529, 535, 537, 539-540, 549,
D9/558, 443, 682, 686, 688-692; 215/379,
215/381-383; 220/660, 669-673, 675; D28/4,
D28/76, 78

See application file for complete search history.

(56) **References Cited**

U.S. PATENT DOCUMENTS

- D324,997 S * 3/1992 Jones D9/529
- D370,416 S * 6/1996 Hirato D9/549
- D376,952 S * 12/1996 Rausch D7/392.1
- D415,031 S * 10/1999 Mahlmann D9/520
- D480,000 S * 9/2003 Hirato D9/504
- D529,397 S 10/2006 Lavigne et al.

- D540,170 S * 4/2007 Canamasas Puigbo D9/504
- D555,000 S * 11/2007 Bunce et al. D9/529
- D579,776 S * 11/2008 Hirato et al. D9/504
- D592,511 S * 5/2009 Damkjaer D9/503

* cited by examiner

Primary Examiner—Ian Simmons

Assistant Examiner—Dana L Sipos

(74) *Attorney, Agent, or Firm*—Megan C. Hymore; Jim C. Vago; Carl J. Roof

(57) **CLAIM**

The ornamental design for cosmetic container, as shown and described.

DESCRIPTION

FIG. 1 is a perspective view of cosmetic container, embodying our new design;

FIG. 2 is a front view thereof;

FIG. 3 is a back view thereof;

FIG. 4 is a right side view thereof;

FIG. 5 is a left side view thereof;

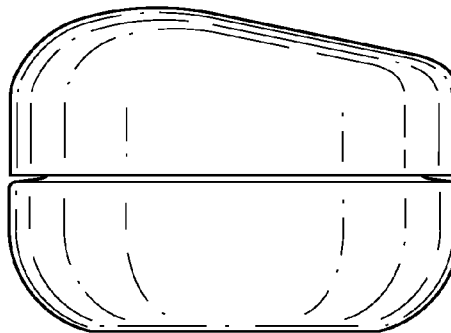
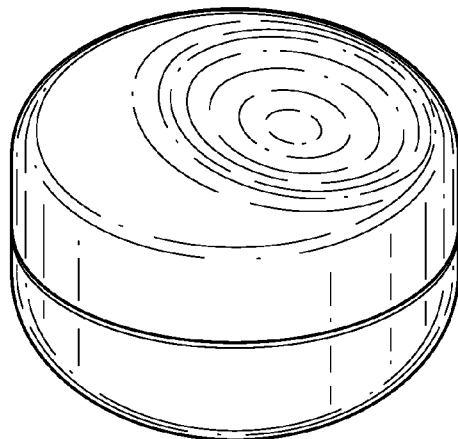
FIG. 6 is a top plan view thereof;

FIG. 7 is a bottom view thereof; and,

FIG. 8 is a cross section view taken along the line 8—8 in FIG. 4.

The broken lines shown in the drawings are for illustrative purposes only and form no part of the claimed design.

1 Claim, 5 Drawing Sheets



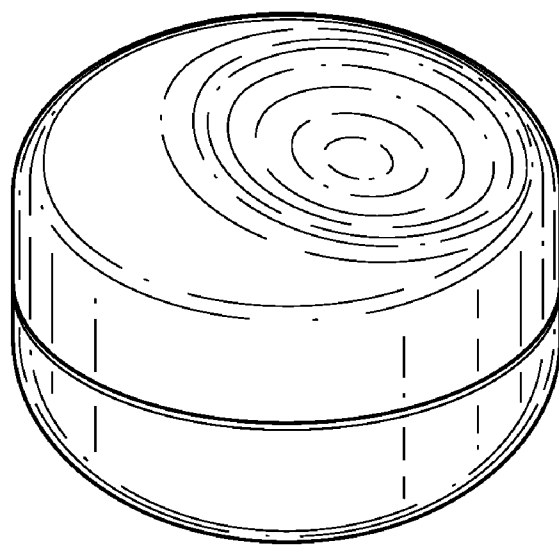


Fig. 1

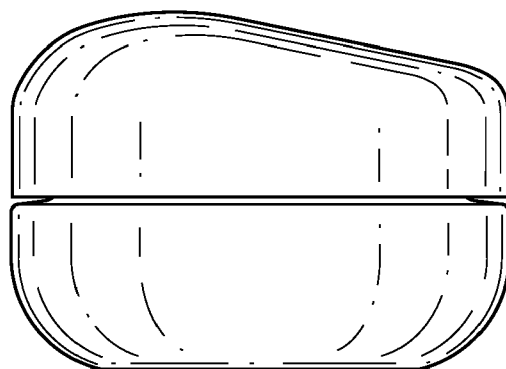


Fig. 2

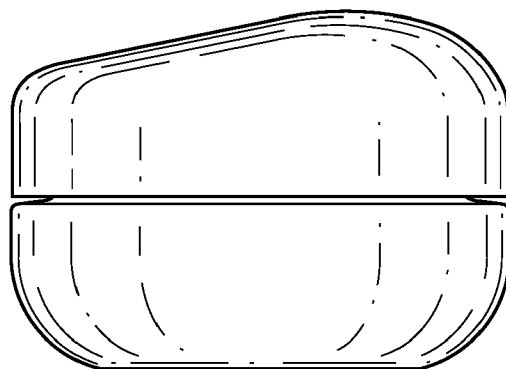


Fig. 3

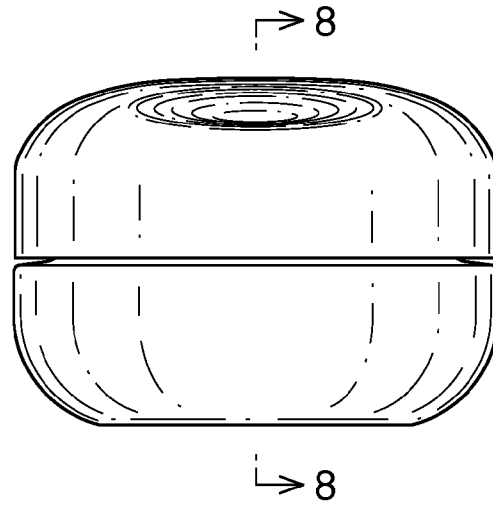


Fig. 4

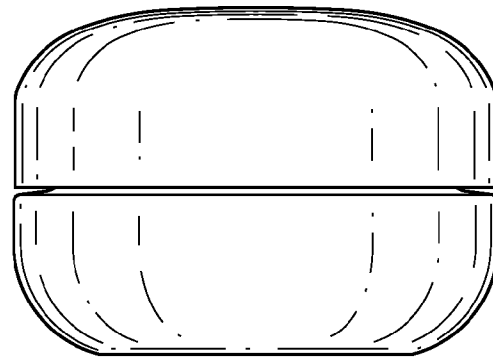


Fig. 5

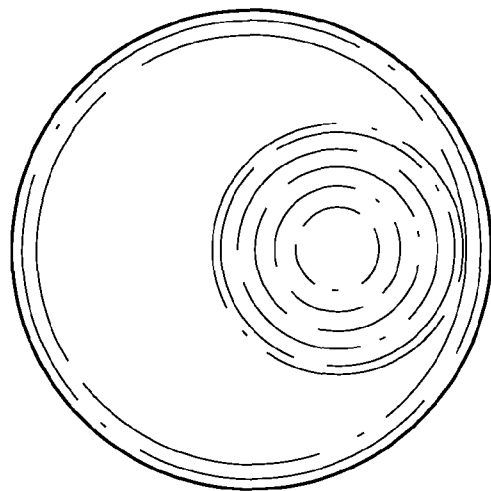


Fig. 6

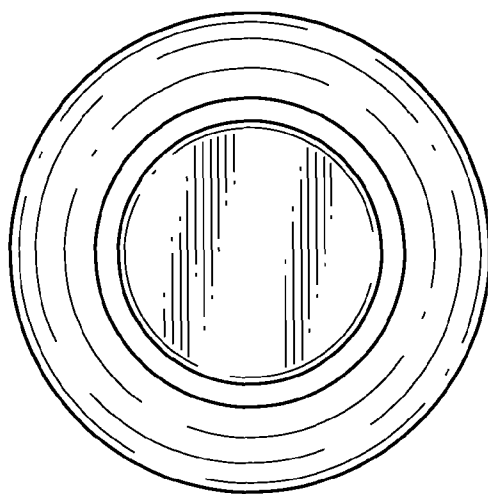


Fig. 7

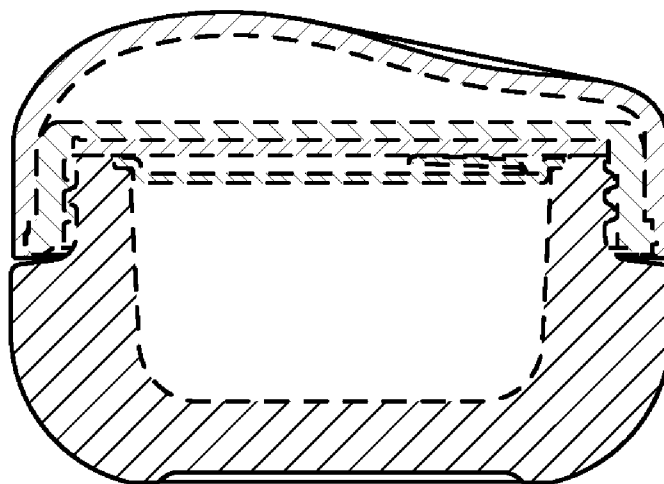


Fig. 8