



- (51) International Patent Classification:
B62D 27/02 (2006.01) *B62D 29/00* (2006.01)
- (21) International Application Number:
PCT/US2012/029630
- (22) International Filing Date:
19 March 2012 (19.03.2012)
- (25) Filing Language: English
- (26) Publication Language: English
- (30) Priority Data:
61/453,786 17 March 2011 (17.03.2011) US
- (71) Applicant (for all designated States except US):
ZEPHYROS, INC. [US/US]; 160 McLean Drive, Romeo, MI 48065 (US).
- (72) Inventors; and
- (75) Inventors/Applicants (for US only): **RICHARDSON, Henry, E.** [US/US]; 3711 Heatherfield Court, Washington, MI 48094 (US). **SHANTZ, Jeffery, Thomas** [US/US]; 2748 Miller, Metamora, MI 48455 (US). **MANGIAPANE, Alex** [US/US]; 55413 Stewart, Macomb Twp, MI 48042 (US).
- (74) Agents: **PURSLEY, Kristen, L.** et al.; Dobrusin & Thenisch PC, 29W. Lawrence Street, Suite 210, Pontiac, MI 48342 (US).
- (81) Designated States (unless otherwise indicated, for every kind of national protection available): AE, AG, AL, AM, AO, AT, AU, AZ, BA, BB, BG, BH, BR, BW, BY, BZ, CA, CH, CL, CN, CO, CR, CU, CZ, DE, DK, DM, DO, DZ, EC, EE, EG, ES, FI, GB, GD, GE, GH, GM, GT, HN, HR, HU, ID, IL, IN, IS, JP, KE, KG, KM, KN, KP, KR, KZ, LA, LC, LK, LR, LS, LT, LU, LY, MA, MD, ME, MG, MK, MN, MW, MX, MY, MZ, NA, NG, NI, NO, NZ, OM, PE, PG, PH, PL, PT, QA, RO, RS, RU, RW, SC, SD, SE, SG, SK, SL, SM, ST, SV, SY, TH, TJ, TM, TN, TR, TT, TZ, UA, UG, US, UZ, VC, VN, ZA, ZM, ZW.
- (84) Designated States (unless otherwise indicated, for every kind of regional protection available): ARIPO (BW, GH, GM, KE, LR, LS, MW, MZ, NA, RW, SD, SL, SZ, TZ, UG, ZM, ZW), Eurasian (AM, AZ, BY, KG, KZ, MD, RU, TJ, TM), European (AL, AT, BE, BG, CH, CY, CZ, DE, DK, EE, ES, FI, FR, GB, GR, HR, HU, IE, IS, IT, LT, LU, LV, MC, MK, MT, NL, NO, PL, PT, RO, RS, SE, SI, SK, SM, TR), OAPI (BF, BJ, CF, CG, CI, CM, GA, GN, GQ, GW, ML, MR, NE, SN, TD, TG).

[Continued on next page]

(54) Title: BONDING ASSEMBLY

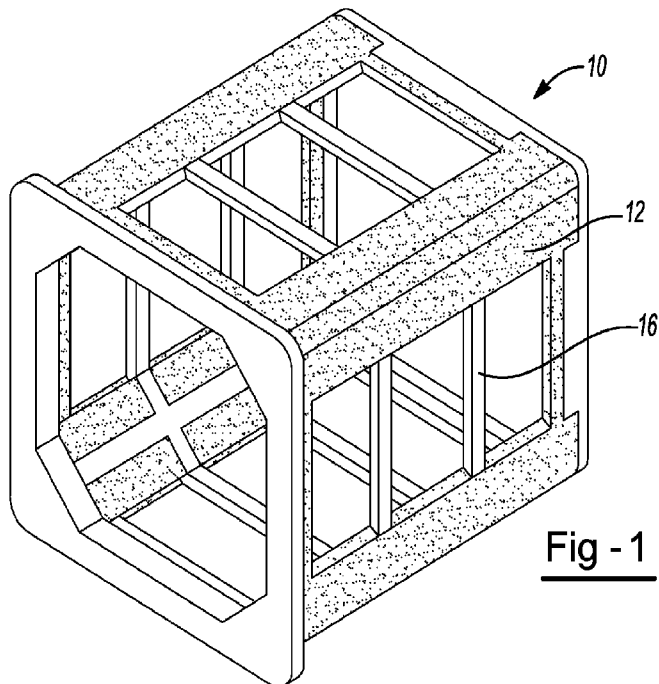


Fig - 1

(57) Abstract: A device and method for the protection of a first member (18) and second member (20) from corrosion by utilizing a connector (10) that bonds the members without a slowing direct contact of the members.



Published:

— *with international search report (Art. 21(3))*

BONDING ASSEMBLY

CLAIM OF PRIORITY

[0001] The present application claims the benefit of the filing date of U.S. Provisional Application Serial No. 61/453,786 (filed March 17, 2011), the entirety of the contents of this application being hereby expressly incorporated by reference.

FIELD OF THE INVENTION

[0002] The present invention is predicated upon methods and devices for the protection of two or more members from corrosion by utilizing an insert that bonds the members without allowing direct contact of the members.

BACKGROUND OF THE INVENTION

[0003] For many years, fuel economy has become more emphasized in the automotive industry. There are several approaches for reducing the fuel consumption of cars, one is the use of light weight materials such as aluminum. Such materials can reduce the weight of a car, but often lack sufficient strength. As such, bimetallic constructions made of both steel and aluminum have been proposed, but areas of contact between these materials have poor or no corrosion resistance. This corrosion limits the opportunities to provide parts composed of contact zones between two dissimilar metals. The present invention provides an insert that comprises a third material that acts as a connector between the dissimilar metals to bond the dissimilar metals together while preventing direct contact between the metals. The present invention thus allows for the use of lightweight metal in combination with a dissimilar metal while reducing the risk of corrosion-related issues.

[0004] U.S. Patent No. 7,251,915 discloses a frame system for a vehicle comprised of joints for connecting the frame system. The joints disclosed form solid structures including a core material and exterior body material and connect parts composed of similar materials. U.S. Patent No. 6,412,857 discloses a frame and joint system including modification of the frame members to form weldable connection portions as joints.

[0005] Known joint structures are generally utilized for connecting similar materials, as opposed to dissimilar metals. Further, known joint structures are not generally formed as cage-like structures to fit small clearance spaces between two dissimilar metals while also delivering expandable adhesive materials into such small clearance spaces.

[0006] Accordingly, in view of the above, there exists a need for structures that prevent contact between dissimilar materials, while delivering adhesive material to areas having minimal clearance size between the dissimilar materials. For example, there is a need for connector structures that include a cage-like structure for occupying minimal space while still preventing contact between the members being connected. There is also a need for connector structures that deliver expandable adhesive materials into small openings where direct application of the adhesive is challenging due to the small size of the openings. There is a further need for connectors that allow for connection free of any welding steps.

SUMMARY OF THE INVENTION

[0007] The present invention meets some or all of the above needs by providing a connector for joining a first member and a second member of a structure. The connector may include a thermally expandable structural adhesive material and a shaped polymeric carrier. The shaped polymeric carrier is configured for carrying the thermally expandable structural adhesive material, spacing the first member from the second member prior to activation for thermal expansion of the structural adhesive material. The connector may thus limit movement of the first member relative to the second member at least prior to activation for thermal expansion of the structural adhesive material. The connector is further configured for matingly engaging at least one of the first or second members prior to connecting the first member with the second member. The expandable material may be shaped and positioned at selective locations around the carrier for defining a plurality of gaps where the first and second member are in direct opposing relation with one another prior to expansion of the expandable material. Upon activation, the expandable structural adhesive material will expand and flow in a direction to fill the gaps in between the first and second member, so that the first and

second members are connected together and are insulated relative to each other by the expandable material.

[0008] The present invention is further directed toward a frame bonding system for an automotive vehicle comprising a first metallic member and a second member comprising a metallic material that is dissimilar to that of the first member. The system further comprises a polymeric connector portion in contact with the first member and second member, the connector portion including an activatable adhesive material. The system is further formed so that the first and second members do not directly contact one another and are connected only via the connector portion.

[0009] The connector and frame bonding system of the present teachings provide an opportunity to integrate lightweight aluminum parts with high-strength steel parts while avoiding the corrosion that generally occurs upon extended contact between such dissimilar metallic materials. The connector not only separates the dissimilar materials but also includes an expandable adhesive material to adhere the materials together upon activation of the adhesive. Given the minimal space between the two dissimilar materials of the frame system, the cage-like structure of the connector utilizes minimal material and occupies only the small clearances between the dissimilar materials. The connector further provides a means for locating the expandable material in specific areas about the carrier, so that the expandable material fills in the small clearances between the two materials upon activation. Thus, the connector provides a means for delivering the expandable material to desired locations about the first and second frame members, where the small size of the clearance between the two frame members had previously prevented the use of an expandable adhesive.

BRIEF DESCRIPTION OF THE DRAWINGS

[0010] Fig. 1 is a perspective view of an illustrative connector portion in accordance with the present teachings.

[0011] Fig. 2 shows a perspective view of an illustrative example of the bonding assembly in accordance with the present teachings prior to assembly.

[0012] Fig. 3 shows an example of the bonding assembly of Fig. 2 in use with a vehicle frame structure.

[0013] Fig. 4 shows a perspective view of an illustrative example of the bonding assembly in accordance with the present teachings.

[0014] Fig. 5 shows a cross-sectional view of an illustrative example of the bonding assembly in accordance with the present teachings.

DETAILED DESCRIPTION

[0015] The frame bonding system of the present teachings provides a carrier including a plurality of rib structures and an expandable structural adhesive material located onto at least a portion of the carrier. The connector is located into a cavity formed within a first member and a portion of a second member is located into the connector.

[0016] The first member and second member may be metallic members. The first member and second member are generally dissimilar metallic members. One of the first or second member may be composed of aluminum, extruded aluminum, aluminum foam, magnesium, magnesium alloys, molded magnesium alloys, titanium, titanium alloys, molded titanium alloys, nickel, copper, transition metals, polyurethanes, polyurethane composites, or any combination thereof. One of the first or second member may be a steel member.

[0017] The connector includes a carrier which may be formed of a polymeric material. The carrier, including the walls and the ribs may be integrally molded (e.g., injection molded) or formed of a single material that is different from the material of one or more of the first member, the second member, or the expandable adhesive material. Suitable materials can include for example, and without limitation, a polymeric material such as nylon, polyamide, polyester, polypropylene, polyethylene, molding compound or the like, which may be filled or unfilled (e.g., filled with glass or kevlar reinforcement fibers).

[0018] One function of the connector, in addition to separating the first and second members, is to provide a structural member that carries the structural adhesive material. The carrier may thus be contacted with one or more structural adhesive materials which may be expandable materials. Thus, the carrier may include one or more outward facing surfaces onto which a layer of the expandable material is placed. The expandable material may be applied to the surface of the carrier (prior to expansion) at such locations. Optionally, the direction of expansion may be controlled by one or more

extensions formed on the carrier, such as those disclosed in U.S. Patent No. 6,941,719. The expandable may be formed onto one or more corners of the carrier. One or more spaces formed in between the first member and second member may be of insufficient size to fit the expandable material in its unexpanded state. The carrier may thus be formed to guide the expandable material from its location on the corner portions of the carrier into the small clearances formed adjacent the corner portions between the first member and second member. The inclusion of the expandable adhesive into these small clearances provide improved strength of adhesion between the first and second members by virtue of the thin bondline formed by the adhesive expanding to these thin openings. The carrier may be substantially rectangular in shape and may thus include a top surface, a bottom surface, two side surfaces, a front surface and a back surface. Each of these surfaces may be formed of one or more openings, rib structures, solid surfaces, or combinations thereof. Thus, one or more areas directly adjacent (e.g., in direct planar contact with) the top surface, the bottom surface or the two side surfaces may be free of any expandable material in its unexpanded state. Upon activation of the expandable material, the expandable material may foam and extend into the areas directly adjacent one or more of the top surface, the bottom surface, or the two side surfaces.

[0019] The expandable adhesive material may be an epoxy based material such as those disclosed in U.S. Patent Nos. 5,884,960; 6,348,513; 6,368,438; 6,811,864; 7,125,461; 7,249,415; and U.S. Patent Publication Nos. 2004/0076831, and 2008/0029200 hereby incorporated by reference. The expandable material may be generally shaped in a rectangular or block configuration, but may also be shaped as needed or desired depending upon the configuration of the carrier. As an example, the expandable material may be polygonal in shape and formed along the corner portions of the carrier. More specifically, the expandable material may be pentagonal in shape and aligned along one or more corners of the carrier. Of course, it is contemplated that the material may be applied to carrier as a single piece (e.g., strip) or multiple pieces (e.g., strips). Upon expansion the expandable material may expand vertically initially until contacting any barrier at which point the expandable material may begin to expand in a horizontal direction, thus contacting one or more of the top surface, bottom surface or

two side surfaces of the carrier. The expandable material may be able to expand into any gap with a width larger than about 0.5mm.

[0020] The expandable material may be a resinous generally dry to the touch or tacky and may be shaped in any form of desired pattern, placement, or thickness, but is preferably of substantially uniform thickness. Though other heat-activated materials are possible for the expandable material, a preferred heat activated material is an expandable polymer or plastic, and preferably one that is foamable. The expandable material may be a relatively high expansion foam having a polymeric formulation that includes one or more of an epoxy resin, an acetate (e.g. ethylene vinyl acetate), a thermoplastic polyether, an acrylate and/or a methacrylate (e.g., a copolymer of butyl acrylate and methyl acrylate), an epoxy/elastomer adduct, and one or more fillers (e.g., a clay filler, and/or a nanoparticle-containing filler). Preferred thermally expandable materials are disclosed in U.S. Patent Nos. 7,313,865; 7,125,461; and 7,199,165 incorporated by reference herein for all purposes. For example, and without limitation, the expandable material may also be an EVA/rubber based material, including an ethylene copolymer or terpolymer that may possess an alpha-olefin. As a copolymer or terpolymer, the polymer is composed of two or three different monomers, i.e., small molecules with high chemical reactivity that are capable of linking up with similar molecules. Suitable expandable materials include those available from L&L Products, Inc. under the designations L7220, L2821, L1066, L205, L2010, L2105, L2108A, L2806, L2811, L4200, L4141, L4161, L4315, L5510, L5520, L5540, L5600, L5601, L7102, and L7104.

[0021] The expandable material can be formed of other materials provided that the material selected is heat-activated or otherwise activated by an ambient condition (e.g. moisture, pressure, time or the like) and cures under appropriate conditions for the selected application. One such material is the epoxy based resin disclosed in U.S. Patent No. 6,131,897, the teachings of which are incorporated herein by reference. Some other possible materials include, but are not limited to, polyolefin materials, copolymers and terpolymers with at least one monomer type an alpha-olefin, phenol/formaldehyde materials, phenoxy materials, and polyurethane materials with high glass transition temperatures. Additional materials may also be used such as those

disclosed in U.S. Patent Nos. 5,766,719; 5,755,486; 5,575,526; and 5,932,680, incorporated by reference herein for all purposes.

[0022] In applications where the expandable material is a heat activated material, an important consideration involved with the selection and formulation of the material is the temperature at which a material cures and, if expandable, the temperature of expansion. Typically, the material becomes reactive (cures, expands or both) at higher processing temperatures, such as those encountered in an automobile assembly plant, when the material is processed along with the automobile structures at elevated temperatures or at higher applied energy levels, e.g., during coating (e.g., e-coat, paint or clearcoat) curing steps. While temperatures encountered in an automobile assembly operation may be in the range of about 148.89° C to 204.44° C (about 300° F to 400° F) for body shop applications (e.g., e-coat) and, for paint shop applications, are commonly about 93.33° C (about 200° F) or slightly higher (e.g., 120° C-150° C).

[0023] As shown for example in Fig. 1, the connector 10 includes a carrier 14 forming a cage structure and an expandable material 12 located thereon. The carrier 14 includes a plurality of rib structures 16, one or more of which may include the expandable material 12. Fig. 2 shows use of the connector 10 to connect a first member 18 and second member 20. The connector 10 may be located within a cavity 24 of the first member 18, while a portion of the second member 20 is located within the confines of the connector 10. The cavity 24 of the first member 18 may include an opening 26 into which the connector 10 is located. The connector may further include a front wall 22, which may be a partial front wall and a back wall 28 which may be a solid wall, or may be a partial wall. The front wall 22 may include an edge (e.g., a lip) that extends beyond the height and width of the opening 26 so that the connector is located in the correct location within the cavity 24 and is prevented from extending further into the cavity 24 than desired.

[0024] As shown for example in Fig. 3, a plurality of connectors 10 may be utilized in a vehicle frame structure. A plurality of first members 18, may each receive a connector 10. A portion of each of a plurality of second frame members 20 may be located within the connectors so that each end of each second frame member 20 is located within a connector. The expandable material 12 may be located in corner areas of the carrier 14

so that upon expansion of the expandable material, the expandable material comes into direct contact with the first member 18. As shown, the carrier 14 includes a front wall having an edge 22 that assists in locating the connector 10 in a desired location such that the edge 22 lies in direct planar contact with the first member.

[0025] Fig. 4 shows a view of one connector 10 located into a cavity of the first member 18. A portion of the second member 20 is located within the confines of the carrier 14. The second member 20 is located into the connector 10 so that the first member 18 and second member 20 are arranged in a substantially perpendicular relationship to one another as shown. Fig. 5 shows a cross sectional view of the connector, depicting the expandable material 12 located onto and partially surrounding a corner rib structure 30 of the carrier 14. The connector 10 is shown located within the first member 18 and the second member 20 is located within the connector 10. The openings 32 between the first member 18 and second member 20, are sufficient to prevent contact (and thus corrosion) between the first member and second member. Upon expansion, the expandable material 12 may expand into the openings 32 to further prevent contact between the first member 18 and second member 20. Alternatively, the connector may include one or more structures to guide the directional expansion of the expandable material and may thus prevent the expandable material from entering the openings 32 or at least a portion of the openings.

[001] Any numerical values recited herein include all values from the lower value to the upper value in increments of one unit provided that there is a separation of at least 2 units between any lower value and any higher value. As an example, if it is stated that the amount of a component or a value of a process variable such as, for example, temperature, pressure, time and the like is, for example, from 1 to 90, preferably from 20 to 80, more preferably from 30 to 70, it is intended that values such as 15 to 85, 22 to 68, 43 to 51, 30 to 32 etc. are expressly enumerated in this specification. For values which are less than one, one unit is considered to be 0.0001, 0.001, 0.01 or 0.1 as appropriate. These are only examples of what is specifically intended and all possible combinations of numerical values between the lowest value and the highest value enumerated are to be considered to be expressly stated in this application in a similar manner. As can be seen, the teaching of amounts expressed as "parts by weight"

herein also contemplates the same ranges expressed in terms of percent by weight. Thus, an expression in the Detailed Description of the Invention of a range in terms of at "x" parts by weight of the resulting polymeric blend composition" also contemplates a teaching of ranges of same recited amount of "x" in percent by weight of the resulting polymeric blend composition."

[002] Unless otherwise stated, all ranges include both endpoints and all numbers between the endpoints. The use of "about" or "approximately" in connection with a range applies to both ends of the range. Thus, "about 20 to 30" is intended to cover "about 20 to about 30", inclusive of at least the specified endpoints.

[003] The disclosures of all articles and references, including patent applications and publications, are incorporated by reference for all purposes. The term "consisting essentially of" to describe a combination shall include the elements, ingredients, components or steps identified, and such other elements ingredients, components or steps that do not materially affect the basic and novel characteristics of the combination. The use of the terms "comprising" or "including" to describe combinations of elements, ingredients, components or steps herein also contemplates embodiments that consist essentially of the elements, ingredients, components or steps. By use of the term "may" herein, it is intended that any described attributes that "may" be included are optional.

[004] Plural elements, ingredients, components or steps can be provided by a single integrated element, ingredient, component or step. Alternatively, a single integrated element, ingredient, component or step might be divided into separate plural elements, ingredients, components or steps. The disclosure of "a" or "one" to describe an element, ingredient, component or step is not intended to foreclose additional elements, ingredients, components or steps.

[005] It is understood that the above description is intended to be illustrative and not restrictive. Many embodiments as well as many applications besides the examples provided will be apparent to those of skill in the art upon reading the above description. The scope of the invention should, therefore, be determined not with reference to the above description, but should instead be determined with reference to the appended claims, along with the full scope of equivalents to which such claims are entitled. The disclosures of all articles and references, including patent applications and publications,

are incorporated by reference for all purposes. The omission in the following claims of any aspect of subject matter that is disclosed herein is not a disclaimer of such subject matter, nor should it be regarded that the inventors did not consider such subject matter to be part of the disclosed inventive subject matter.

CLAIMS

1. A connector for joining a first member and a second member of a structure comprising:

a thermally expandable structural adhesive material;

a shaped polymeric carrier configured for:

- i. carrying the thermally expandable structural adhesive material;
- ii. spacing the first member from the second member prior to activation for thermal expansion of the structural adhesive material;
- iii. for limiting movement of the first member relative to the second member at least prior to activation for thermal expansion of the structural adhesive material; and
- iv. for matingly engaging at least one of the first or second members prior to connecting the first member with the second member;

wherein the expandable is shaped and positioned at selective locations around the carrier for defining a plurality of gaps where the first and second member are in direct opposing relation with one another prior to expansion but upon activation the expandable structural adhesive material will expand and flow in a direction to fill the gaps in between the first and second member, so that the first and second members are connected together and are insulated relative to each other by the expandable material.

2. The connector of claim 1, wherein the first member is an aluminum tube.
3. The connector of claim 1 or claim 2, wherein the second member is a steel tube.
4. The connector of any of claims 1 through 3, wherein the shaped polymeric carrier is nylon.
5. The connector of any of claims 1 through 4, wherein the shaped polymeric carrier includes at least two walls and a plurality of parallel rib structures.

6. The connector of any of claims 1 through 5, wherein at least a portion of the shaped polymeric carrier is located within an opening of the second member.
7. The connector of any of claims 1 through 6, wherein at least a portion of the first member is located within the shaped polymeric carrier.
8. The connector of any of claims 1 through 7, wherein at least one wall of the shaped polymeric carrier is formed as an opening so that the shape of the opening corresponds to the shape of the first member for receiving the first member.
9. The connector of any of claims 1 through 8, wherein at least one wall of the shaped polymeric carrier is a solid wall.
10. The connector of any of claims 1 through 9, wherein at least one wall of the shaped polymeric carrier is formed as an opening and is substantially parallel to a solid wall of the shaped polymeric carrier.
11. The connector of any of claims 1 through 10, wherein the first member and second member are formed of dissimilar metallic materials.
12. The connector of any of claims 1 through 11, wherein the first member and second member are configured for a vehicle frame assembly.
13. The connector of any of claims 1 through 12, wherein the shaped polymeric carrier includes a fastening means.
14. The connector of any of claims 1 through 13, wherein the shaped polymeric carrier includes an integrally formed fastening means.

15. The connector of any of claims 1 through 14, wherein when connected via the shaped polymeric carrier, the first member and second member are spaced apart by a gap of less than about 3mm.
16. The connector of any of claims 1 through 15, wherein the shaped polymeric carrier has a thickness of less than about 1mm.
17. The connector of any of claims 1 through 16, wherein the shaped polymeric carrier and expandable structural adhesive substantially prevent movement of the first member relative to the second member.
18. The connector of any of claims 1 through 17, wherein the expandable structural adhesive is located onto a plurality of corners of the shaped polymeric carrier.
19. The connector of claim 5, wherein the rib structures are located about the polymeric carrier so that they do not prevent lateral flow of the expandable structural adhesive.
20. A connector for joining a first aluminum member and a second steel member of a structure comprising:
- a thermally expandable structural adhesive material;
 - a shaped nylon carrier having at least two walls, at least one of the walls being a solid wall and a plurality of parallel rib structures configured for:
 - i. carrying the thermally expandable structural adhesive material;
 - ii. spacing the first member from the second member prior to activation for thermal expansion of the structural adhesive material;
 - iii. for limiting movement of the first member relative to the second member at least prior to activation for thermal expansion of the structural adhesive material; and
 - iv. for matingly engaging at least one of the first or second members prior to connecting the first member with the second member,

wherein at least one wall of the shaped polymeric carrier is formed as an opening so that the shape of the opening corresponds to the shape of the first member for receiving the first member;

wherein the expandable is shaped and positioned at selective locations around the carrier for defining a plurality of gaps where the first and second member are in direct opposing relation with one another prior to expansion but upon activation the expandable structural adhesive material will expand and flow in a direction to fill the gaps in between the first and second member, so that the first and second members are connected together and are insulated relative to each other by the expandable material.

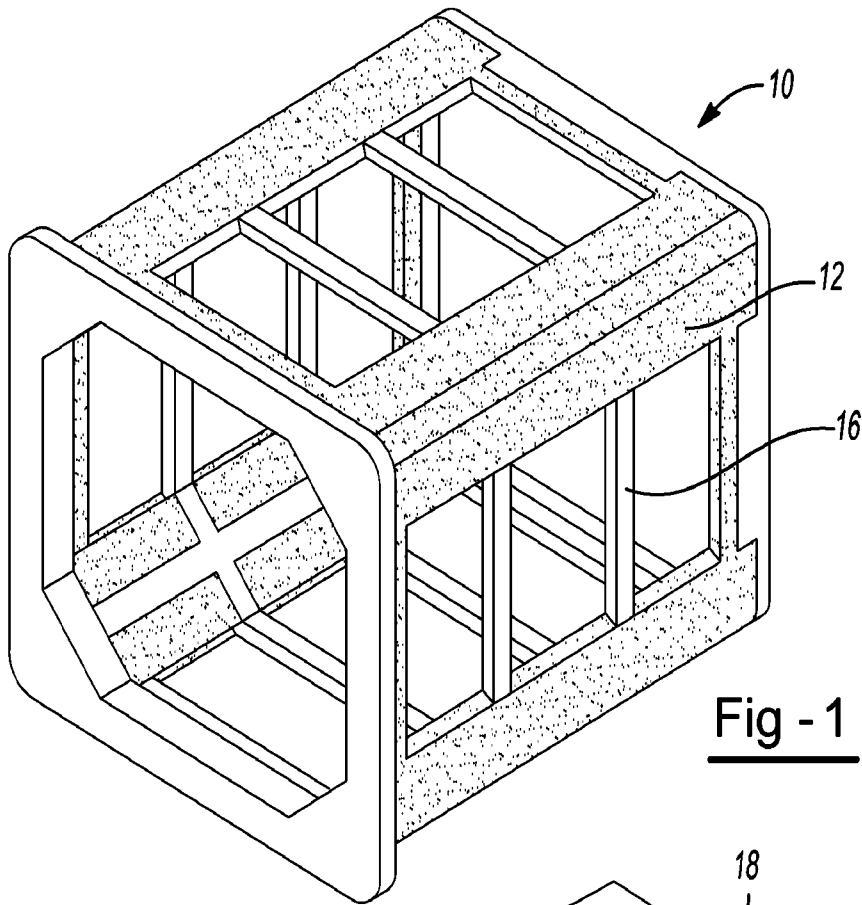


Fig - 1

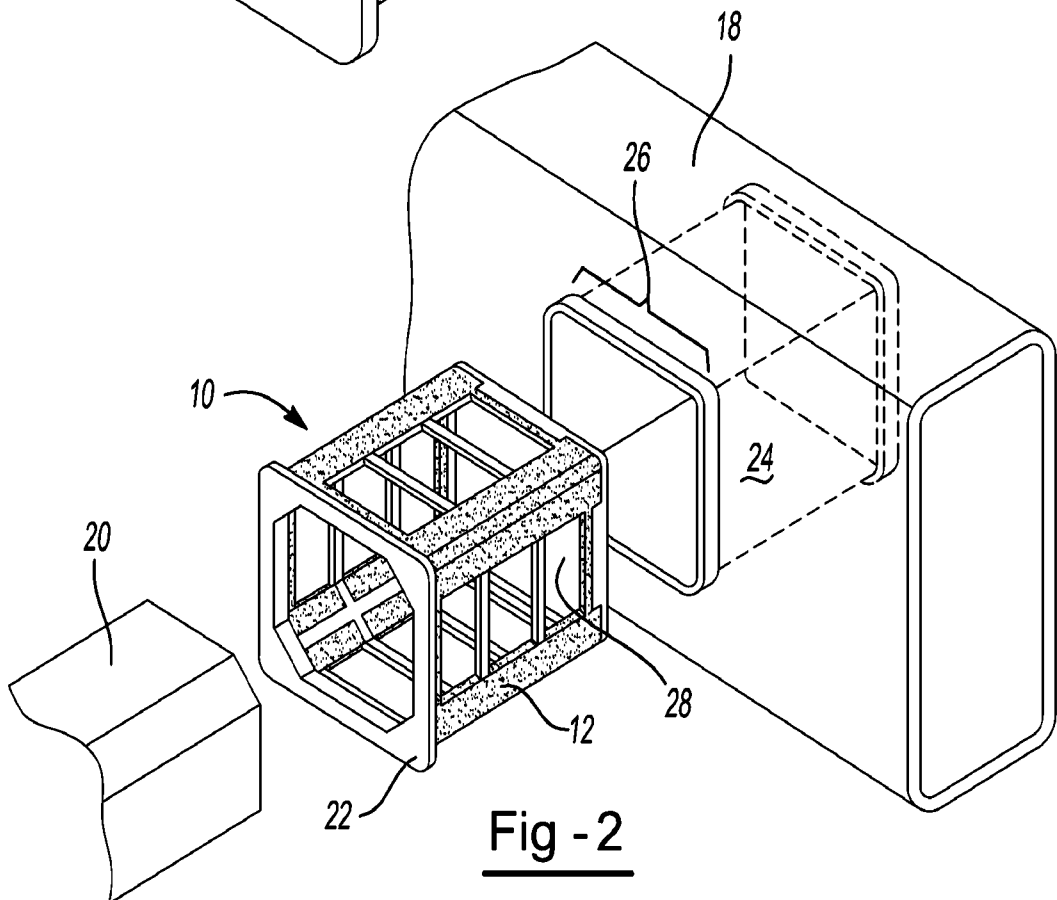


Fig - 2

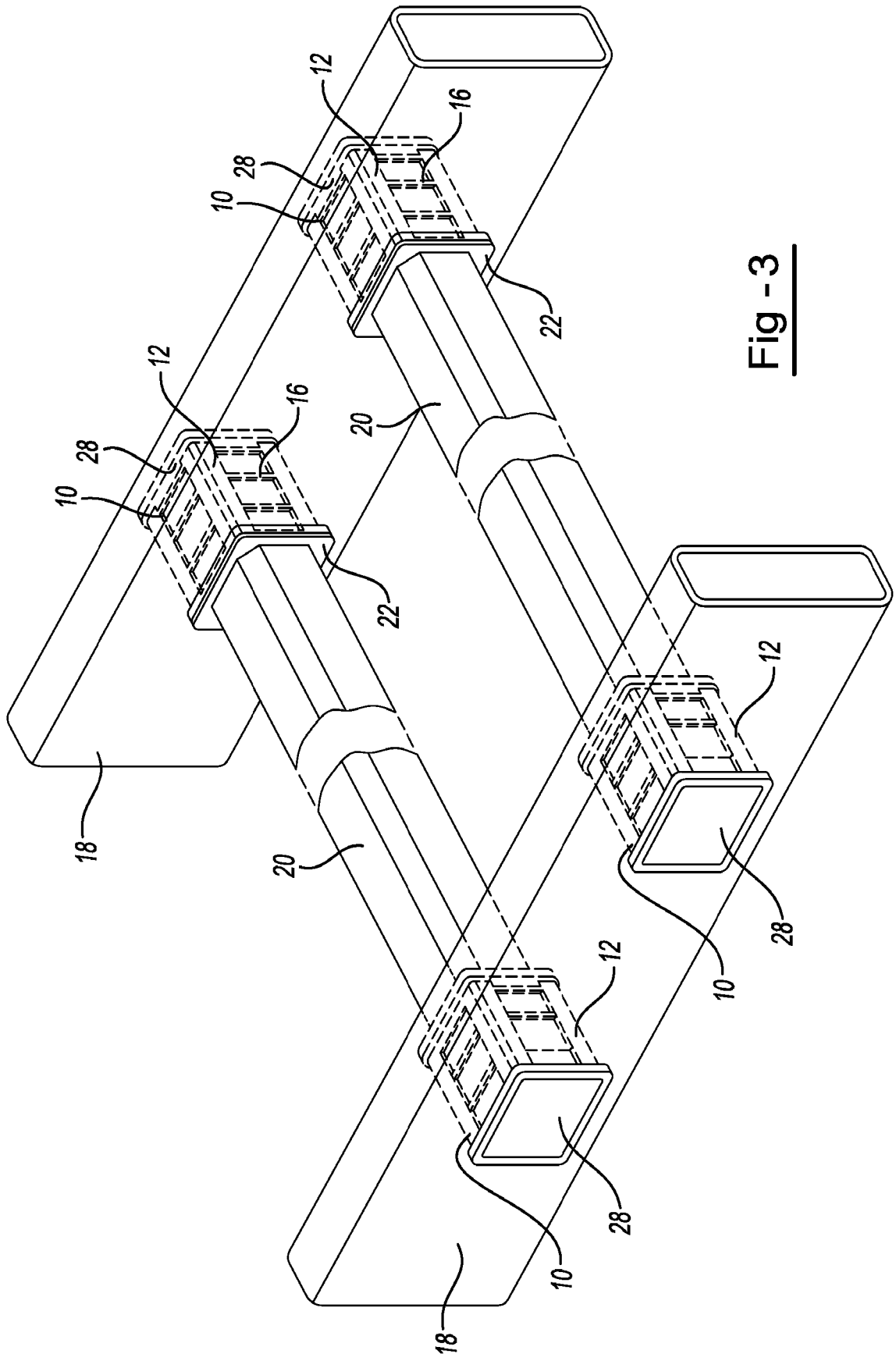


Fig - 3

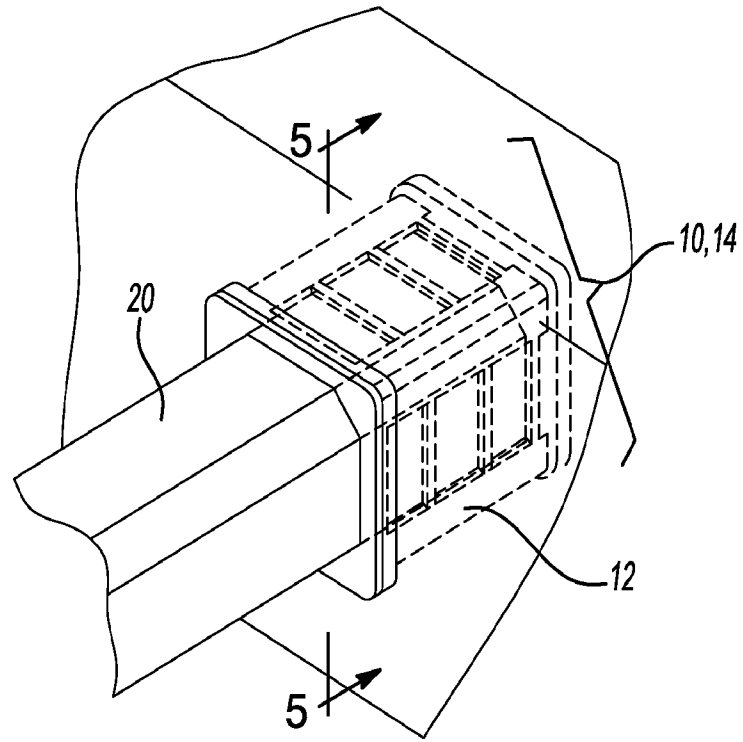


Fig -4

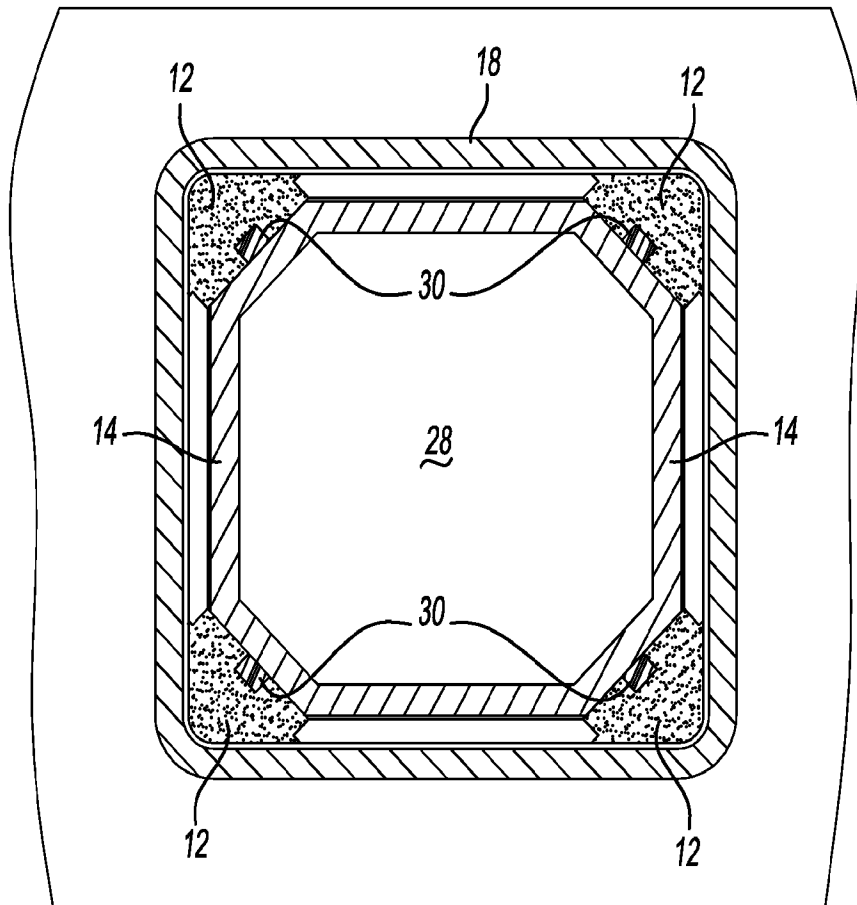


Fig -5

INTERNATIONAL SEARCH REPORT

International application No
PCT/US2012/029630

A. CLASSIFICATION OF SUBJECT MATTER
INV. B62D27/02 B62D29/00
ADD.
According to International Patent Classification (IPC) or to both national classification and IPC

B. FIELDS SEARCHED
Minimum documentation searched (classification system followed by classification symbols)
B62D F16B
Documentation searched other than minimum documentation to the extent that such documents are included in the fields searched

Electronic data base consulted during the international search (name of data base and, where practicable, search terms used)
EPO-Internal, WPI Data

C. DOCUMENTS CONSIDERED TO BE RELEVANT		
Category*	Citation of document, with indication, where appropriate, of the relevant passages	Relevant to claim No.
X	US 2007/281523 A1 (RILEY JON [US]) 6 December 2007 (2007-12-06)	1-6,8,9, 11,12, 15-17, 19,20
Y	claims 1-3,7,8; figures paragraph [0027] - paragraph [0032] paragraph [0046] - paragraph [0047] -----	7,10,13, 14
Y	DE 10 2009 039167 A1 (DAIMLER AG [DE]) 3 March 2011 (2011-03-03)	7,10
A	abstract; claim 1; figures -----	1,20
Y	US 6 131 897 A (BARZ WILLIAM J [US] ET AL) 17 October 2000 (2000-10-17) cited in the application	13,14
A	figures ----- -/--	1,20

Further documents are listed in the continuation of Box C. See patent family annex.

* Special categories of cited documents :

"A" document defining the general state of the art which is not considered to be of particular relevance	"T" later document published after the international filing date or priority date and not in conflict with the application but cited to understand the principle or theory underlying the invention
"E" earlier application or patent but published on or after the international filing date	"X" document of particular relevance; the claimed invention cannot be considered novel or cannot be considered to involve an inventive step when the document is taken alone
"L" document which may throw doubts on priority claim(s) or which is cited to establish the publication date of another citation or other special reason (as specified)	"Y" document of particular relevance; the claimed invention cannot be considered to involve an inventive step when the document is combined with one or more other such documents, such combination being obvious to a person skilled in the art
"O" document referring to an oral disclosure, use, exhibition or other means	"&" document member of the same patent family
"P" document published prior to the international filing date but later than the priority date claimed	

Date of the actual completion of the international search 11 June 2012	Date of mailing of the international search report 19/06/2012
--	---

Name and mailing address of the ISA/ European Patent Office, P.B. 5818 Patentlaan 2 NL - 2280 HV Rijswijk Tel. (+31-70) 340-2040, Fax: (+31-70) 340-3016	Authorized officer Westland, Paul
--	---

INTERNATIONAL SEARCH REPORT

International application No
PCT/US2012/029630

C(Continuation). DOCUMENTS CONSIDERED TO BE RELEVANT		
Category*	Citation of document, with indication, where appropriate, of the relevant passages	Relevant to claim No.
X	EP 2 019 027 A1 (SIKA TECHNOLOGY AG [CH]) 28 January 2009 (2009-01-28) claims 1,2; figures 7,8 -----	1,18,20

INTERNATIONAL SEARCH REPORT

Information on patent family members

International application No PCT/US2012/029630

Patent document cited in search report	Publication date	Patent family member(s)	Publication date
US 2007281523 A1	06-12-2007	EP 1854704 A1 JP 2007333208 A US 2007281523 A1	14-11-2007 27-12-2007 06-12-2007

DE 102009039167 A1	03-03-2011	NONE	

US 6131897 A	17-10-2000	AT 267311 T AU 3628300 A DE 60010900 D1 DE 60010900 T2 EP 1208276 A1 ES 2216875 T3 US 6131897 A US 6311452 B1 WO 0055444 A1	15-06-2004 04-10-2000 24-06-2004 28-10-2004 29-05-2002 01-11-2004 17-10-2000 06-11-2001 21-09-2000

EP 2019027 A1	28-01-2009	EP 2019027 A1 EP 2183150 A1 WO 2009016106 A1	28-01-2009 12-05-2010 05-02-2009
